

Charging on-demand

Kempower T-Series Movable Charger

Technical datasheet



The Kempower T-Series movable charger is a stand-alone solution for easily relocatable fast charging at events, depots, logistic centers, car dealerships, service shops, and similar locations. The only requirement for the plug-and-play charger is a 32 A or 63 A mains socket. The charger can have one or two charging outputs with CCS2 and CHAdeMO as the standard charging methods, but other combinations are also available. With dynamic power management, the available charging power is automatically distributed between two charging outputs. The maximum nominal charging power is 40 kW to one charging output, or 20 kW to both charging outputs simultaneously. The T500 (500 V) model is designed for electric vehicles with regular battery voltage, and the T800 (800 V) model for heavier electric vehicles with high battery voltage.

- T-Series movable charger can charge all types of electric vehicles
- Flexible and user-friendly fast-charging solution
- No installation needed but can also be installed in place by removing the wheels, if preferred
- Advanced charging control and customization options with the Kempower ChargeEye solution



1. 7" touch screen display
2. RFID reader (ISO14443A)
3. Charging plugs and holders
4. Charging status indication LEDs
5. Removable wheels
6. Mounting pad

Product code interpretation examples: T500P40CD5BS, T800P40CD7ASC0

T500 / T800	T-Series 500 V / 800 V
P40	Charging power (P40 = 40 kW)
CD	Charging method
5B 7A	Charging cable, 5 = 5 m, 7 = 7 m B / C = nominal charging cable current
S	User interface (S = standard interface)
C0	Unbranded, no stickers

Nominal charging cable current

A	80 A (CCS2)
B	125 A (CHAdeMO), 150 A (CCS2)

Charging method

C	CCS2
CC	2 x CCS2
CD	CCS2 & CHAdeMO
D	CHAdeMO

General electric specification

Grid connection (AC)	3P+N+PE, 63 A / 32 A
Grid supply connection plug	IEC 60309
Supply cable length	5 m
Input voltage range	380...480 V _{AC} +6%/-10%
Input frequency	50...60 Hz
Nominal Input power	57.8 kVA
Power factor (at full load)	0.92
Efficiency (at full load)	94%
Idle power	20 VA
Over voltage class	III
Rated conditional short-circuit current	25 kA
Network type	TN-S, TN-C, TN-C-S, TT

Environmental specifications

Operating temperature	-30...+50°C
Current derating	-1.5% of max. charging current per 1°C (above +40°C)
Maximum altitude	2000 m (without altitude derating)
Altitude derating	-1.4% of max. charging current per 100 m (above 2000 m)
Storage temperature	-40...+60°C
Enclosure	IP54, IK10
Operational noise level	< 60 dB (at 1 m distance)
Ambient air humidity	< 95% relative humidity

Connections

WiFi	802.11 b/g/n, 2.4/5 GHz
Cellular / GPS	LTE-FDD, LTE-TDD, WCDMA, GSM
Ethernet	RJ45, IEEE 802.3 / 802.3u
OCPP	1.6j / 2.0
Connectivity	Kempower ChargEye solution

Electrical protections

Over/under voltage

Surge

Short circuit

Overload

Earth leakage current

Device over temperature

Charging cable over temperature

DC charging output

T500 (500 V)

T800 (800 V)

DC charging plug types

CCS2, CHAdeMO

CCS2, CHAdeMO

DC cable length

5 m or 7 m

5 m or 7 m

Nominal output power at 480 V_{AC}

40 kW (with 2 outputs : dynamic 40 kW/1st or 20 kW for both)

40 kW (with 2 outputs : dynamic 40 kW/1st or 20kW for both)

Nominal output current

2 x 63 A, 1 x 125 A

2 x 37 A, 1 x 75 A

Output voltage range

150...500 V_{DC}

200...920 V_{DC}

Product code

Charging outputs

Charging method

Simultaneous charging with 2 outputs

Max. continuous charging current

T...C5AS

1

CCS2

no

80 A

T...C5BS

1

CCS2

no

150 A

T...CC5AS

1

2 x CCS2

no

2 x 80 A

T...CC5BS

2

2 x CCS2

yes

2 x 150 A

T...CD5ABS

2

CCS2 & CHAdeMO

yes

80 A & 125 A

T...CD5BS

2

CCS2 & CHAdeMO

yes

150 A & 125 A

T...D5BS

1

CHAdeMO

no

125 A

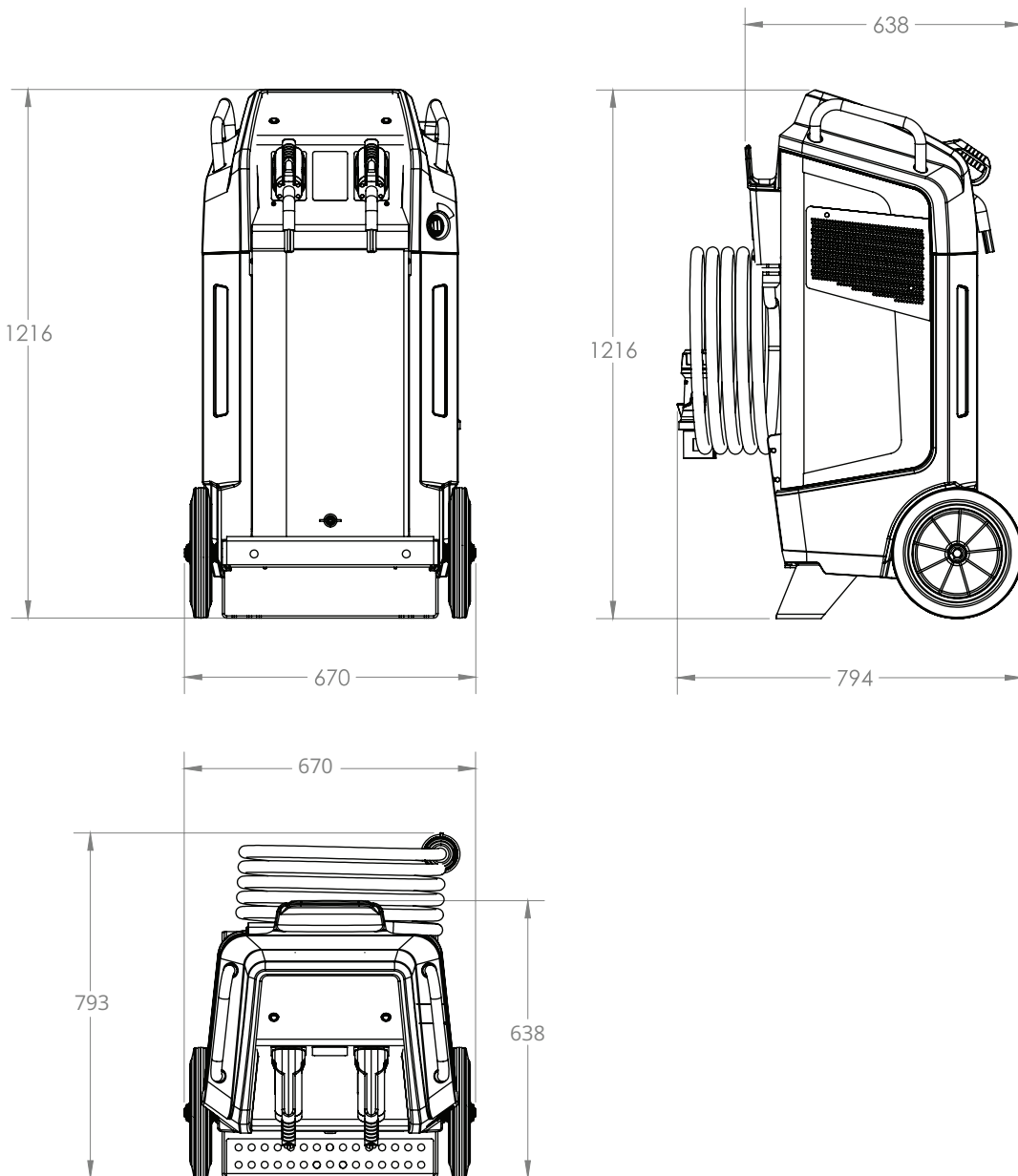
Note: versions with 7 m charging cables, change 5 to 7 in the end of the product code, e.g. T500P40CD7BS

Mechanical dimensions (WxHxD)

Ca. 638 x 1216 x 670 mm

Weight

Ca. 140-150 kg (1 charging cable), 160-180 kg (2 charging cables)



Compliance to standards

Electrical safety	IEC 61851-1, IEC 61851-23
EMC, harmonics	IEC 61851-21-2

Options (please contact Kempower for availability, pricing and MOQ)

- CCS1 charging cables & plug available upon request
- Customer branding options, colors, stickers

