

## Advanced Satellite Charging System

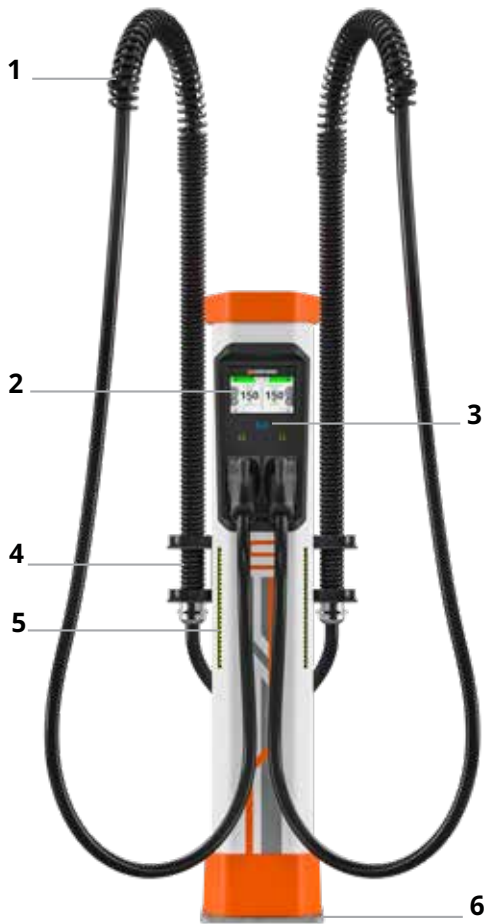
# Kempower S-Series Charging Satellite

Technical Datasheet, North America



The Kempower S-Series charging satellites are connected to the C-Series charging power unit (CPU) or C-Station and operate the charging outputs of the system. The single satellite has one charging output, and the double satellite has two outputs. One C-Series CPU can be connected to up to 8 charging outputs: 4 double satellites or 8 single satellites. The available maximum nominal charging power the satellite charging system is up to 200/400/600 kW depending on the CPU version and cable sizing. S-Series charging satellites are the optimal solution for locations with heavy-duty usage and need for multiple charging outputs, such as gas stations, shopping malls, distribution centers, parking areas, and bus depots.

- Advanced cable support system (pat. pend.) to provide premium user experience
- Easy-to-use, intuitive user menu on a 7" touch screen display
- On-screen QR code to follow the charging status on your mobile phone
- Flexibility in designing the charging system topology
- Kempower ChargeEye solution provides advanced charging control and customisation options
- The recommended cabling distance between C-Series charging power unit and S-Series charging satellite is up to 262 feet / 80 meters



1. Charging cable support spring system
2. 7" touch screen display
3. RFID reader (ISO14443A)
4. Charging cable holders
5. Charging status indication LEDs
6. Mounting flange

### Product code interpretation examples: SUD5CS, SUU7CPC0

S	S-Series
UD, UU	Charging method, UD = CCS1 & CHAdeMO, UU = 2 x CCS1
5C, 7C	Charging cable, 5 = 26.4 ft / 5 m, 7 = 23 ft / 7 m, C = 200 A nominal charging cable current
S	User interface, S = standard interface, P = EMV contactless payment terminal
L	ETL approved product
C0	Unbranded, no stickers, black roof & base

### Charging method

U	CCS1
UU	2 x CCS1
UD	CCS2 & CHAdeMO
D	CHAdeMO

### Nominal charging cable current

B	125 A (CHAdeMO)
C	200 A (CCS1)
E	300 A* (CCS1)

\*500 A (max. 10 min) in +77°F / +25°C with single charging output    \*375 A continuous in +77°F / +25°C with double charging outputs

### General electric specifications

DC charging plug options	CCS1 IEC 62196-3, CHAdeMO
Voltage	Max. 1000 V <sub>DC</sub>
Standby power	25 W

### Environmental specifications

Operating temperature	-22...+122°F / -30...+50°C (with CHAdeMO up to +104°F / +40°C)
Current derating	-1.5% of max. charging current per 1°C (above +104°F / +40°C)
Maximum altitude	6562 ft / 2000 m (without altitude derating)
Altitude derating	-1.4% of max. charging current per 328 ft / 100 m (above 6562 ft / 2000 m )
Storage temperature	-40...+140°F / -40...+60°C
Enclosure	IP54, IK10
Ambient air humidity	< 95% relative humidity

### Connections (via C-Series / C-Station)

WiFi	802.11 b/g/n (2.4/5 GHz)
Cellular / GPS	LTE-FDD, LTE-TDD, WCDMA, GSM
Ethernet	RJ45, IEEE 802.3 / 802.3u
OCPP	1.6 J / 2.0
Connectivity	Kempower ChargeEye solution

### Electrical protections

Charging cable temperature monitoring
Earth leakage monitoring

Product code	Charging outputs	Charging method	Simult. charging with 2 outputs	Max. continuous charging current [A]	Charging power [kW] at 400 V <sub>DC</sub>	Charging power [kW] at 800 V <sub>DC</sub> (w/ C800)	Weight [lbs/kg]
<b>Product codes with 16.4 ft / 5 m charging cables</b>							
SU5CSL	1	CCS1	no	200 A	80 kW	160 kW	146 lbs 66 kg
SU5ESL	1	CCS1	no	300 A	120 kW	240 kW	218 lbs 99 kg
SUU5CSL	2	2 x CCS1	yes	2 x 200 A	2 x 80 kW	2 x 160 kW	218 lbs 99 kg
SUU5ESL	2	2 x CCS1	yes	2 x 300 A	2 x 120 kW	2 x 240 kW	364 lbs 165 kg
SUD5CBSL	2	CCS1 & CHAdeMO	yes	200 A & 125 A	80 kW & 50 kW	160 kW & 100 kW	212 lbs 96 kg
SUD5EBSL	2	CCS1 & CHAdeMO	yes	300 A & 125 A	120 kW & 50 kW	240 kW & 100 kW	284 lbs 129 kg
SD5BSL	1	CHAdeMO	no	125 A	50 kW	100 kW	139 lbs 63 kg
<b>Product codes with 7 m charging cables</b>							
SU7CSL	1	CCS1	no	200 A	80 kW	160 kW	150 lbs 68 kg
SU7ESL	1	CCS1	no	300 A	120 kW	240 kW	227 lbs 103 kg
SUU7CSL	2	2 x CCS1	yes	2 x 200 A	2 x 80 kW	2 x 160 kW	227 lbs 103 kg
SUU7ESL	2	2 x CCS1	yes	2 x 300 A	2 x 120 kW	2 x 240 kW	379 lbs 172 kg
SUD7CBSL	2	CCS1 & CHAdeMO	yes	200 A & 125 A	80 kW & 50 kW	160 kW & 100 kW	218 lbs 99 kg
SUD7EBSL	2	CCS1 & CHAdeMO	yes	300 A & 125 A	120 kW & 50 kW	240 kW & 100 kW	295 lbs 134 kg
SD7BSL	1	CHAdeMO	no	125 A	50 kW	100 kW	143 lbs 65 kg

Note: versions with payment terminal, change S to P in the end of the product code, e.g. SU7C**PL**

### Compliance to standards

Electrical safety IEC 61851-1, IEC 61851-23

EMC, Harmonics IEC 61851-21-2

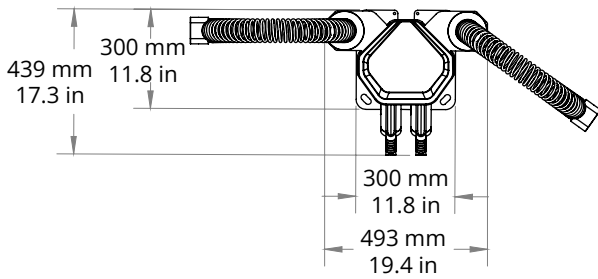
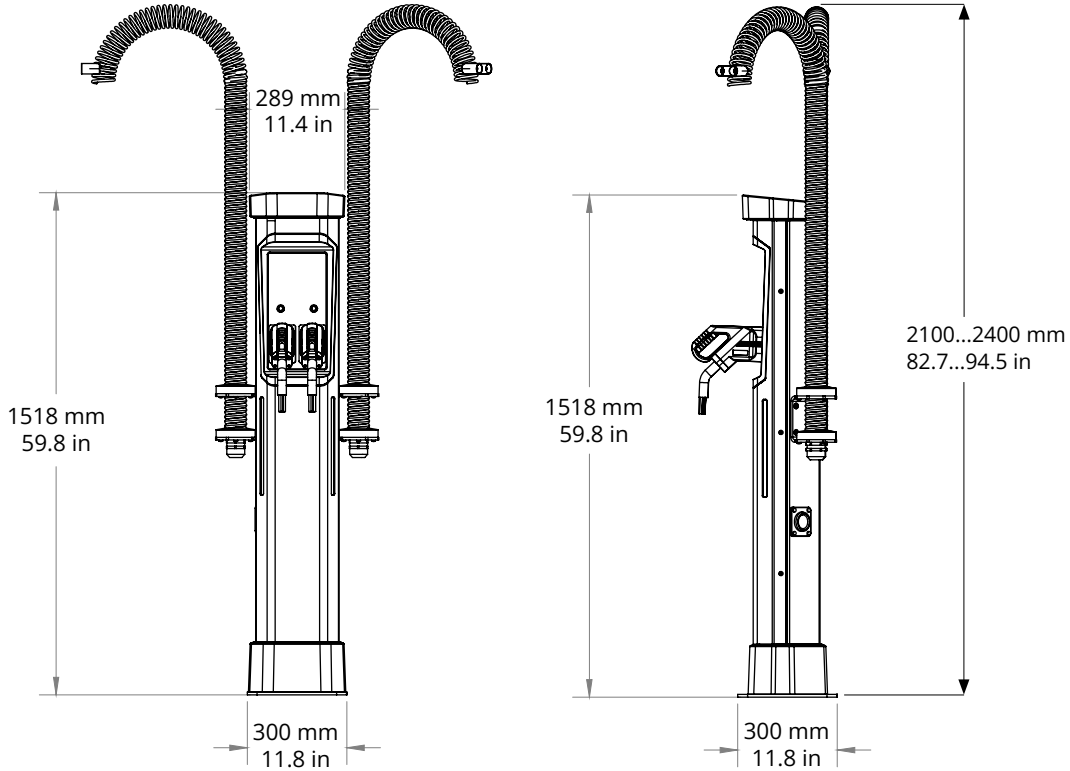
Conforms to UL Std. 2202, 2231-2

Certified to CSA Std. C22.2 No. 281.2, C107.1

### Mechanical dimensions (WxHxD), footprint

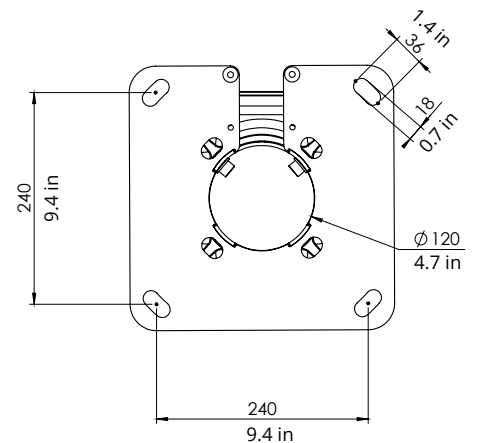
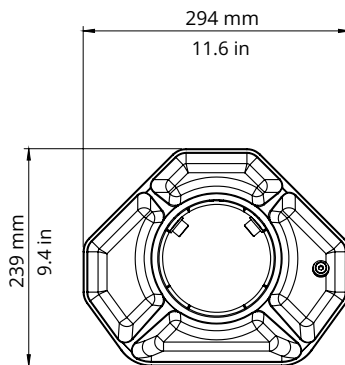
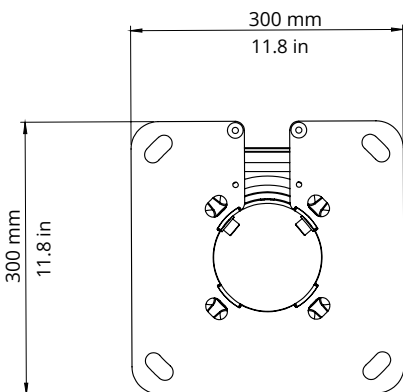
11.8 x 59.8 x 11.8 inch / 300 x 1518 x 300 mm

#### S-Series with two DC charging outputs

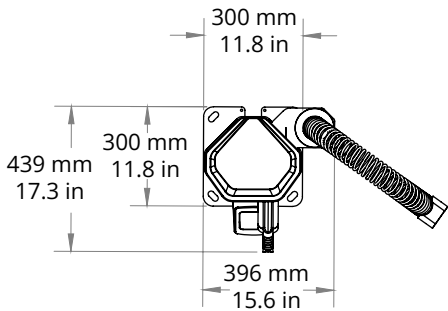
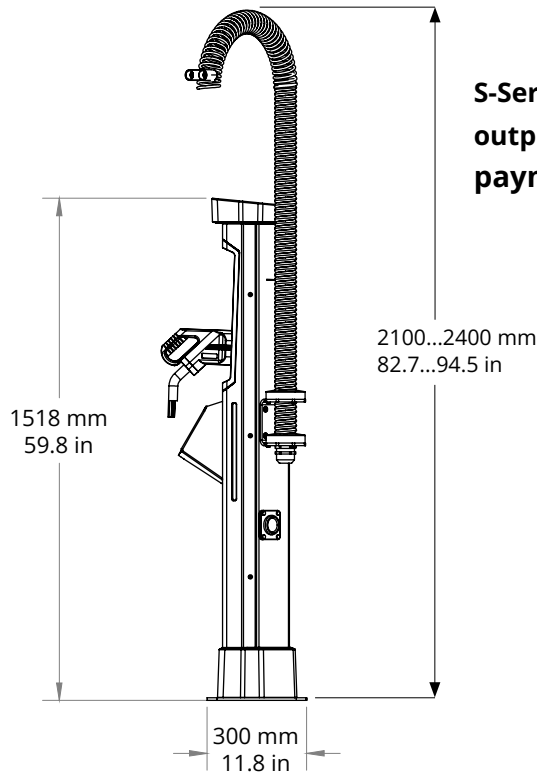
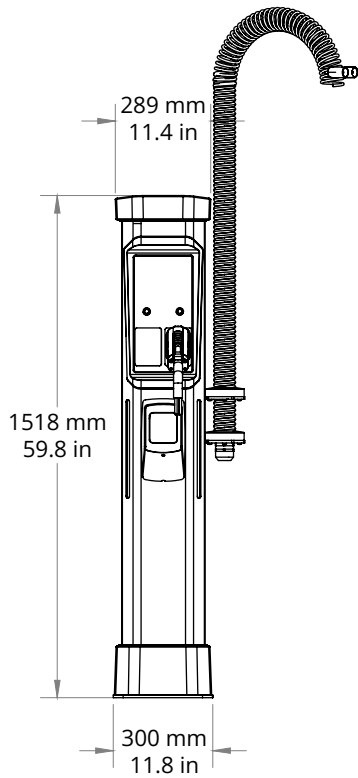


Footprint of standard surface mounting flange

Footprint with mounting pipe



**S-Series with one DC charging output and EMV contactless payment terminal**



**Options (please consult Kempower for availability, pricing and MOQ)**

CCS2 charging cables available upon request

Customer branding options, colors, stickers

**Warning:** Never release the charging cable from your hands when moving it to or from the vehicle, in order to prevent damaging the plug or the vehicle. After charging, always place the plug back in its holder. Refer to the operating manual for warnings, functions and features.