

SHARED BY

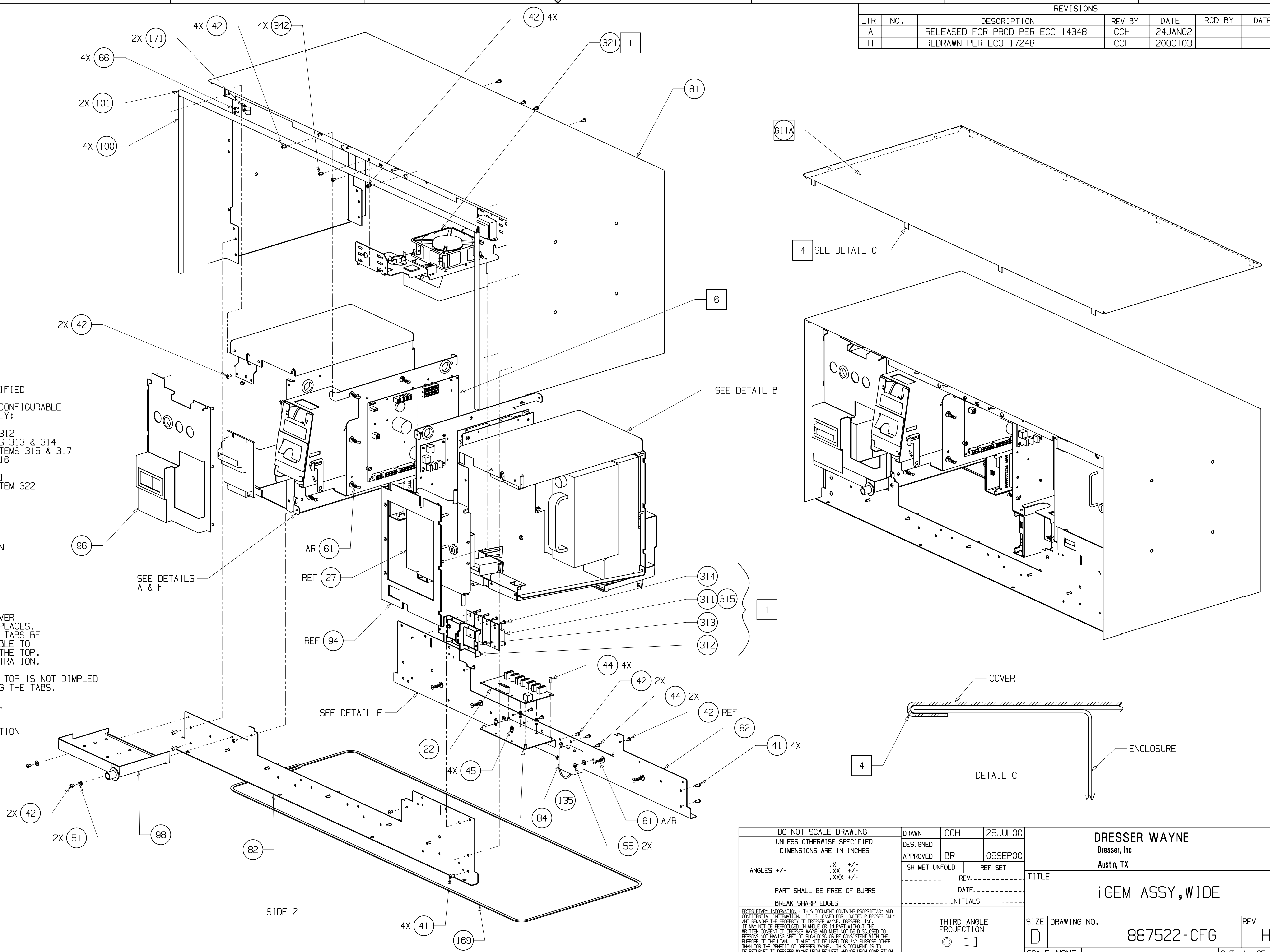
REVISIONS						
LTR	NO.	DESCRIPTION	REV BY	DATE	RCD BY	DATE
A		RELEASED FOR PROD PER ECO 14348	CCH	24JAN02		
H		REDRAWN PER ECO 17248	CCH	20OCT03		

D

C

B

A



NOTES: UNLESS OTHERWISE SPECIFIED

1 THE FOLLOWING ITEMS ARE CONFIGURABLE AND ARE SHOWN FOR REF ONLY:  
 TOTALIZER BD, ITEM 311  
 TOTALIZER BRACKET, ITEM 312  
 TOTALIZER HARDWARE, ITEMS 313 & 314  
 EM COUNTER CABLE ASSY, ITEMS 315 & 317  
 VALVE CABLE ASSY, ITEM 316  
 CAT BD, ITEM 320  
 HEATER/FAN ASSY, ITEM 321  
 HEATER/FAN CABLE ASSY, ITEM 322  
 PMPHD LABEL, ITEM 325  
 HEATER/FAN HDW, ITEM 342  
 COVER, 611A

2 PERMANENTLY MARK WAYNE PN AND CURRENT REV LEVEL IN .10 MIN HIGH CHARACTERS APPROX WHERE SHOWN

3. 611A SEE GRAPHIC DWG. 1-7195-C

4 FOLD THE TABS ON COVER OVER THE LIP OF ENCLOSURE, 8 PLACES. IT IS IMPORTANT THAT THE TABS BE FORMED AS TIGHT AS POSSIBLE TO PREVENT ANY MOVEMENT OF THE TOP. SEE DETAIL "C" FOR ILLUSTRATION.

IT IS IMPORTANT THAT THE TOP IS NOT DIMPLED OR SCRATCHED WHEN FORMING THE TABS.

5 APPLY SEALANT PER SP-337.

6 JUMPER POSITIONS:  
 S19 FOR SERIAL COMMUNICATION  
 S13 FOR BOOT  
 S14 FOR RESET  
 S15 FOR COLD START

7 FOR 220V OPERATION, PLACE TAG 881478-001

8 POWER SUPPLY POSITION WITH WAYNETRAC

SEE DETAILS A & F

SEE DETAIL B

SEE DETAIL E

4 SEE DETAIL C

COVER

ENCLOSURE

DETAIL C

SIDE 2

DO NOT SCALE DRAWING	DRAWN	CCH	25JUL00
UNLESS OTHERWISE SPECIFIED DIMENSIONS ARE IN INCHES	DESIGNED		
ANGLES +/- .X +/- .XX +/- .XXX +/-	APPROVED	BR	05SEP00
PART SHALL BE FREE OF BURRS	SH MET UNFOLD	REF SET	REV.
BREAK SHARP EDGES	DATE		
INITIALS			
THIRD ANGLE PROJECTION			

DRESSER WAYNE Dresser, Inc Austin, TX		
TITLE iGEM ASSY, WIDE		
SIZE D	DRAWING NO. 887522-CFG	REV H
SCALE NONE	SHT 1 OF 3	

D

C

B

A