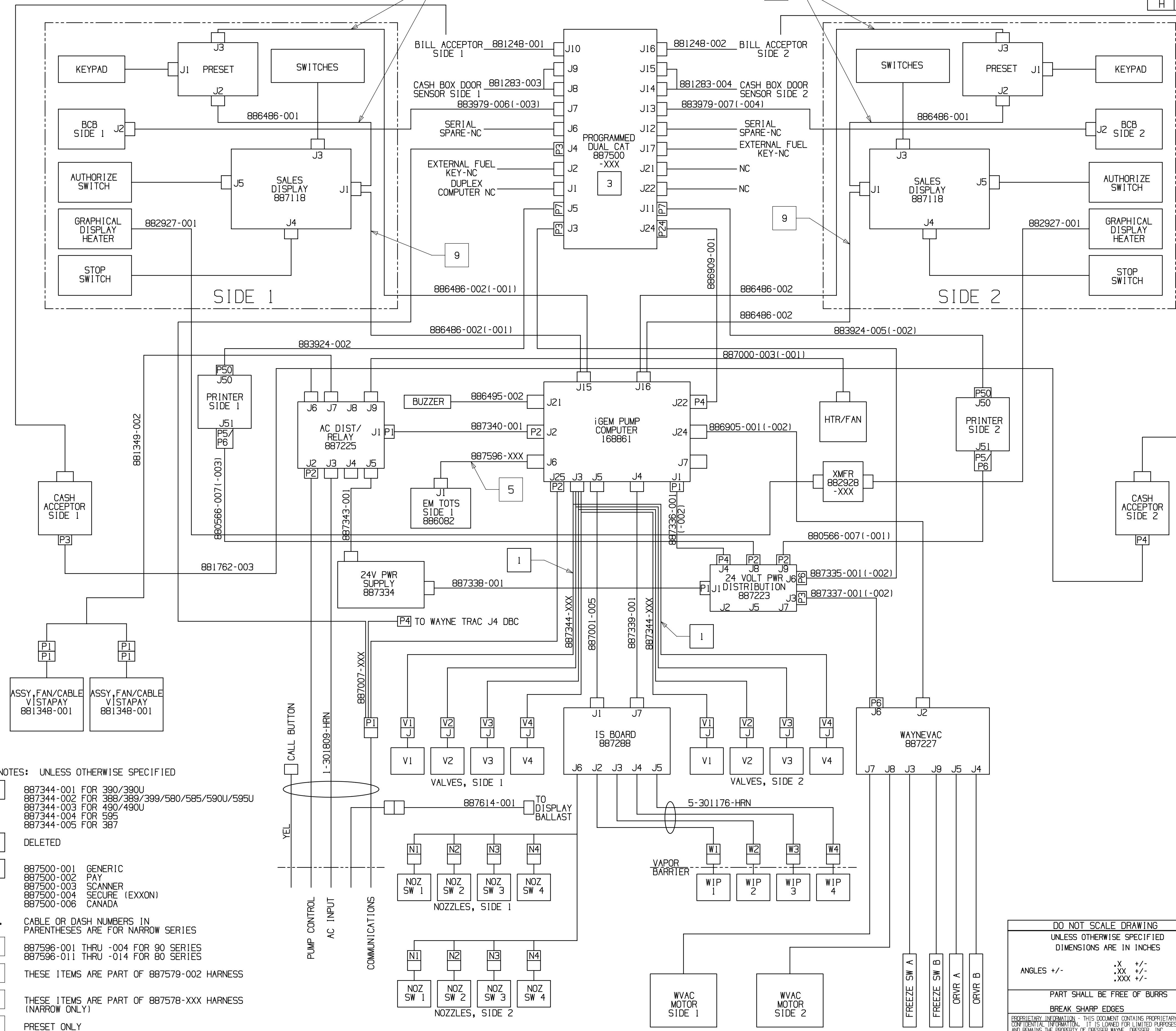


REVISIONS						
LTR	NO.	DESCRIPTION	REV BY	DATE	RCD BY	DATE
A		RELEASED FOR PROD PER ECO 14205	CCH	14DEC01		
H		REDRAWN PER ECO 17214	CCH	17OCT03		



- NOTES: UNLESS OTHERWISE SPECIFIED
- 1 887344-001 FOR 390/390U
887344-002 FOR 388/389/399/580/585/590U/595U
887344-003 FOR 490/490U
887344-004 FOR 595
887344-005 FOR 387
 - 2 DELETED
 - 3 887500-001 GENERIC
887500-002 PAY
887500-003 SCANNER
887500-004 SECURE (EXXON)
887500-006 CANADA
 - 4 CABLE OR DASH NUMBERS IN PARENTHESES ARE FOR NARROW SERIES
 - 5 887596-001 THRU -004 FOR 90 SERIES
887596-011 THRU -014 FOR 80 SERIES
 - 6 THESE ITEMS ARE PART OF 887579-002 HARNESS
 - 7 THESE ITEMS ARE PART OF 887578-XXX HARNESS (NARROW ONLY)
 - 8 PRESET ONLY
 - 9 NON-PRESET ONLY

DO NOT SCALE DRAWING	DRAWN	CCH	12JUN00	DRESSER WAYNE Dresser, Inc Austin, TX
UNLESS OTHERWISE SPECIFIED DIMENSIONS ARE IN INCHES	DESIGNED			
ANGLES +/- .X +/- .XX +/- .XXX +/-	APPROVED	BR	05SEP00	
PART SHALL BE FREE OF BURRS	SH MET UNFOLD	REF SET	REV.	TITLE
BREAK SHARP EDGES	DATE	INITIALS		iGEM WIRING DIAGRAM
THIRD ANGLE PROJECTION	SIZE	DRAWING NO.	REV	
	D	887519-001	H	SCALE NONE
			SHT 1 OF 3	