

Dresser Wayne

VISTA MODEL
DIMENSIONAL
PACKAGE



Wayne

INDEX

3. Model configuration thumbnails
4. Vista Wide body door dimensions
5. Vista Narrow body door dimensions
6. IGEM Dialface dimensions (3/V)
7. Dialface dimensions (1/V and 2/V)
8. Wide body push-to-start advertising panels w/actuator cut out
9. Narrow body push-to-start advertising panels w/actuator cut out
- 10-11. Wide and Narrow solid advertising panels (no actuator cut out)
12. Valance panel dimensions
13. Instruction and actuator decal dimensions
14. Printer door and scanner decal dimensions
15. Graphic location reference
16. ADA dimensions



Wayne

Wayne Dispenser Configurations for Vista Models

Inlet product viewed from Junction box side of dispenser

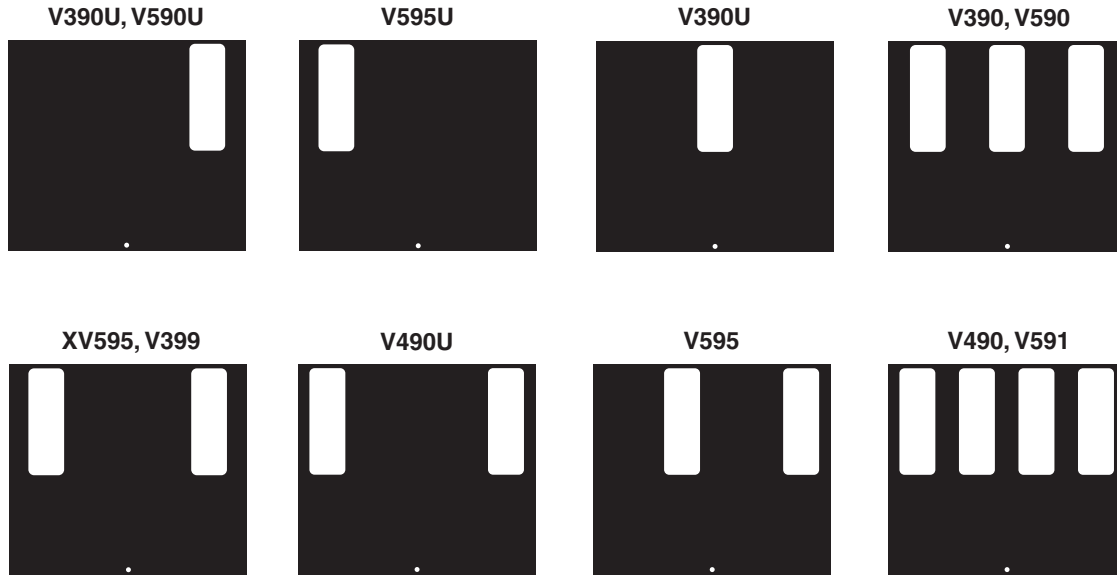
Grade designations for nozzle boot, inlet and outlet positions:

X	=	product 1
Y	=	product 2
Z	=	product 3
AA	=	product 4
Hi	=	high grade product
Lo	=	low grade product
B	=	blended product
MG	=	multi-grade product
S	=	separate product

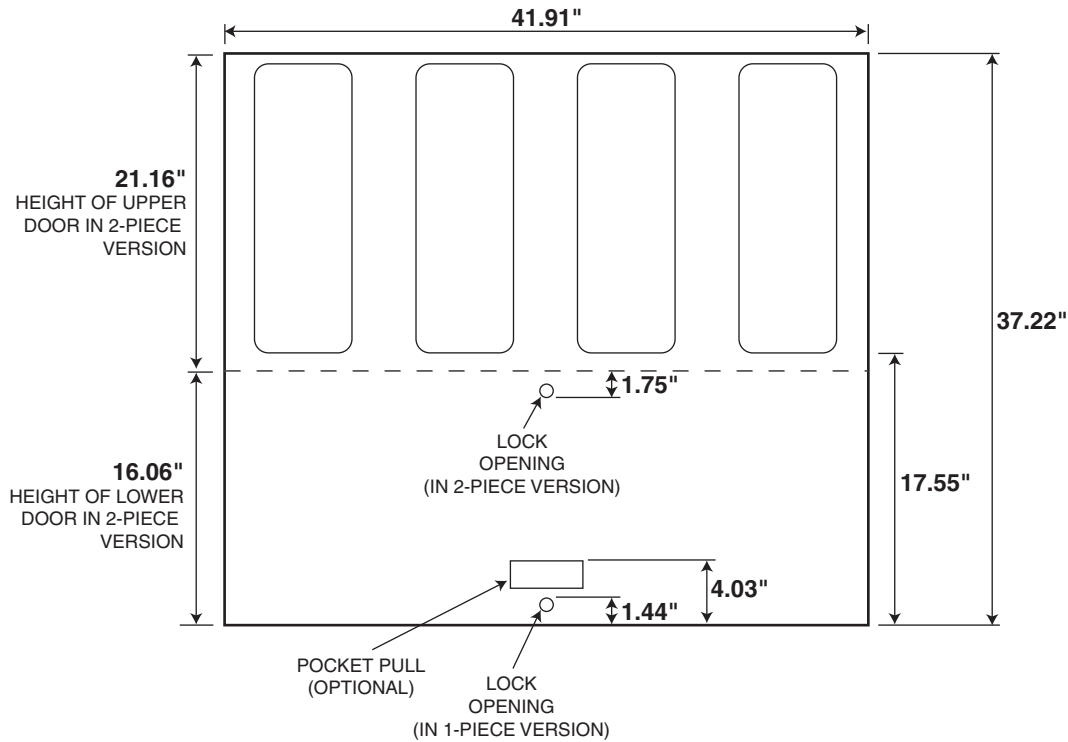
<p>Single Product Dispenser</p> <p>Two Hose: 2/V387</p>	2/V387
<p>Two Product Dispensers</p> <p>Two Hose: 2/V388</p> <p>Four Hose: 2/V389</p> <p> 2/V399</p>	2/V388 2/V389 2/V399
<p>Multi-Grade Dispensers</p> <p>Six Hose: 2/V390</p> <p>Eight Hose: 2/V490</p> <p>Two Hose: 2/V390/U</p> <p>Single Hose: V490/U</p>	2/V390 2/V390/U 2/V490 V490/U
<p>Blending Dispensers</p> <p>Four Hose: 2/V595</p> <p>Six Hose: 2/V590</p> <p>Eight Hose: 2/V591</p> <p>Two Hose: 2/V580, 2/V585</p> <p> 2/V590U</p> <p> 2/V595U</p>	2/V595 2/V590 2/V591 2/V580 2/V585 2/V590U 2/V595U

Key: ● inlet ■ sales display

WIDE BODY DOORS (1-PIECE AND 2-PIECE)-ALL MODELS



WIDE BODY DOORS (1-PIECE AND 2-PIECE)-DIMENSIONS



Live area depends on whether door is 1-piece or 2-piece, how many nozzle boot openings, and whether pocket pull is included.

NARROW BODY DOORS (1-PIECE AND 2-PIECE)-ALL MODELS

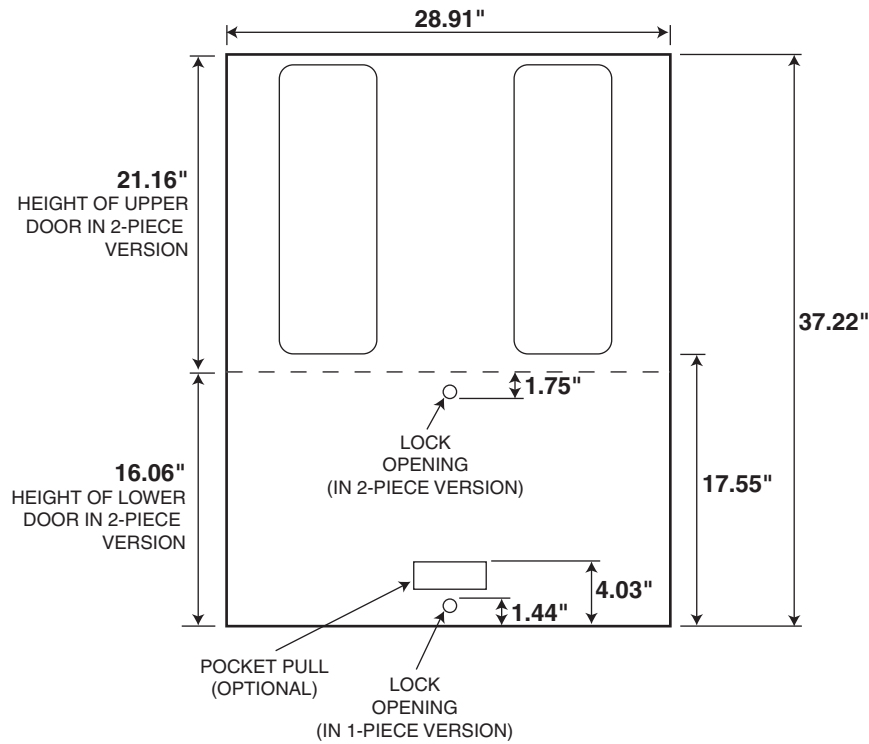
V287, V288, V386, V387,
V388, HS1/V387, HS1/V388, V580



V389



NARROW BODY DOORS (1-PIECE AND 2-PIECE)-DIMENSIONS

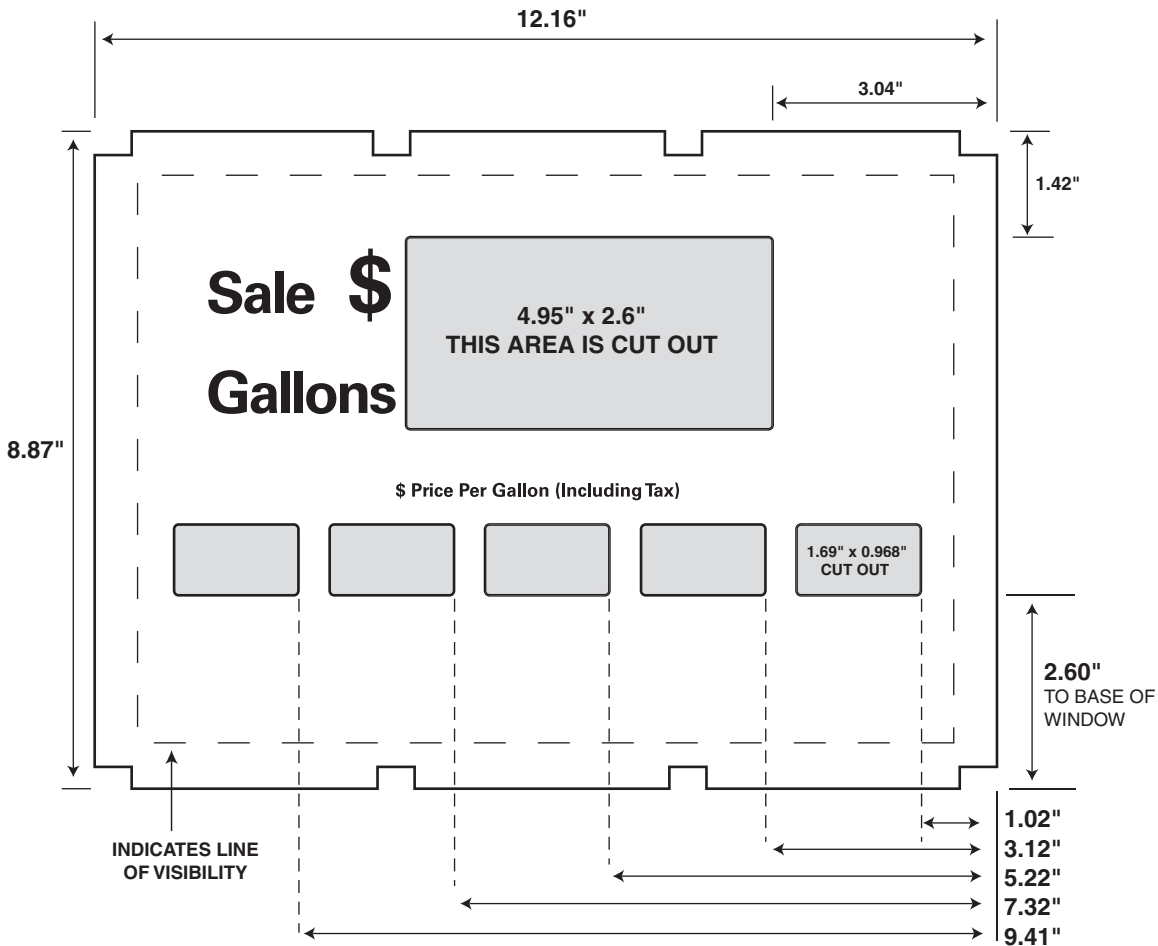


Live area depends on whether door is 1-piece or 2-piece, how many nozzle boot openings, and whether pocket pull is included.

IGEM DIALFACE (3/VISTA) - ALL MODELS



IGEM DIALFACE (3/VISTA) - DIMENSIONS



This template can be used for all 3/V Vista models only.

See illustrations above to determine the location of the price per gallon window cutouts.

DIALFACES (ALL 1/VISTA AND 2/VISTA) - ALL MODELS

V387



V389, V399



V390, V590, V390U
V590U, V580



V490



V595U, V595, V585



V595U, V585



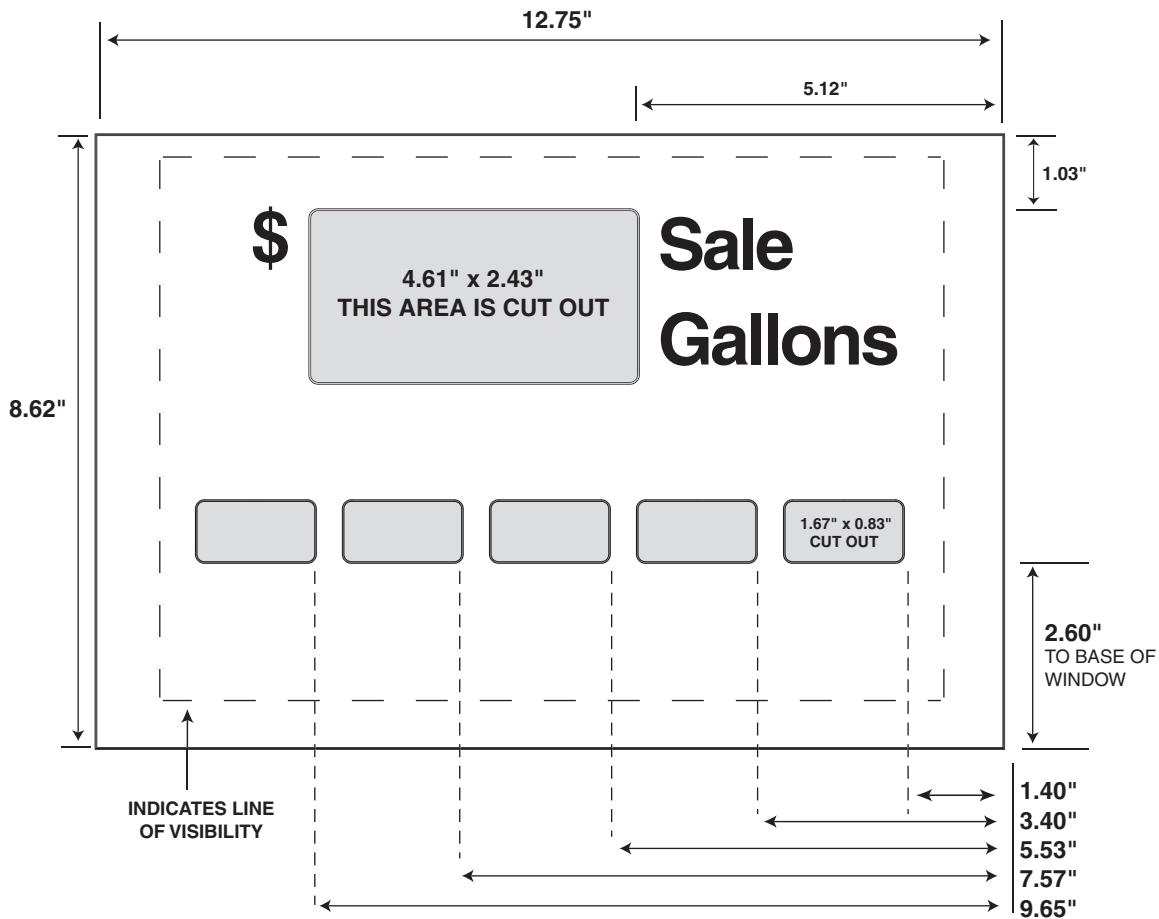
V490U



V591, V595



DIALFACES (ALL 1/VISTA AND 2/VISTA) - DIMENSIONS



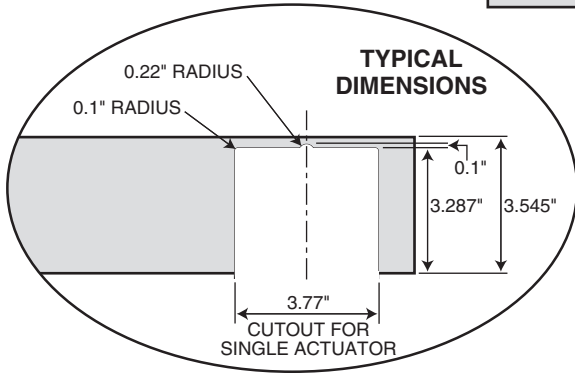
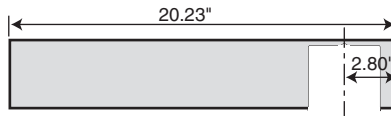
This template can be used for all 1/V and 2/V Vista models only.

See illustrations above to determine the location of the price per gallon window cutouts.

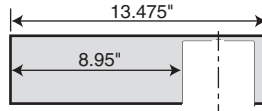
WIDE BODY PUSH-TO-START AD PANELS

Cutouts are for actuator buttons.
Place product graphics/names
outside of these areas.

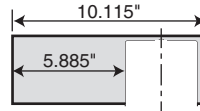
3/V399 PTS
2 products, wide body



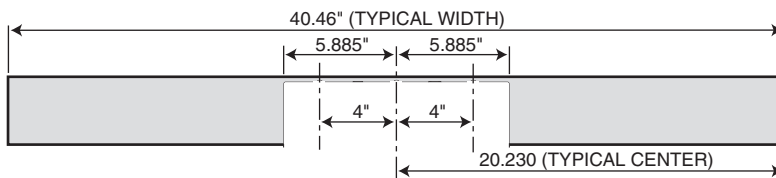
3/V390 & 3/V590 PTS
3 products, wide body



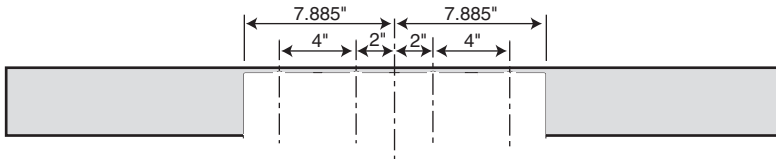
3/V490 PTS
4 products, wide body



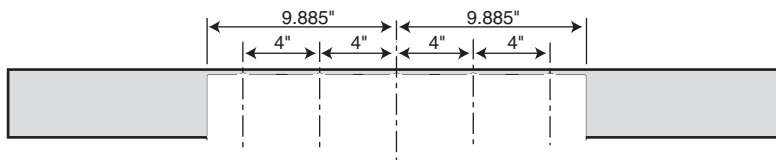
3/V390U & 3/V590U PTS
3 products, grouped actuator buttons, wide body



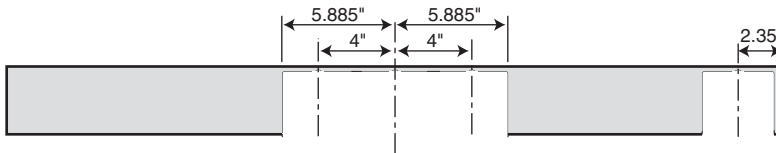
3/V395U PTS
4 products, grouped actuator buttons, wide body



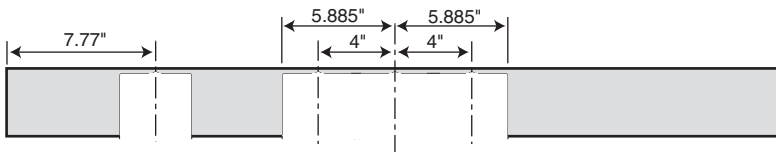
3/V395U PTS
5 products, grouped actuator buttons, wide body



3/V595 PTS
3+1 products, grouped actuator buttons, wide body

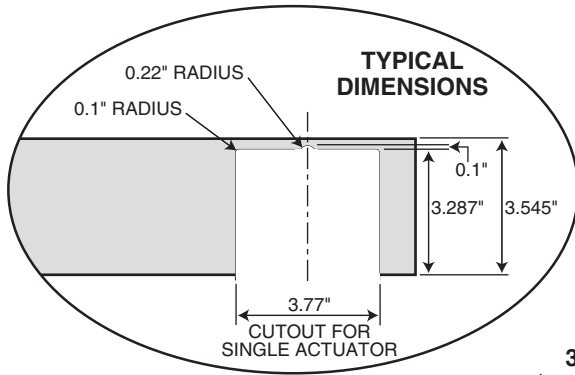


3/V395U & 3/V490U PTS
1+3 products, grouped actuator buttons, wide body

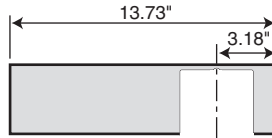


NARROW BODY PUSH-TO-START AD PANELS

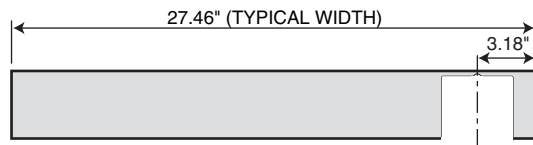
Cutouts are for actuator buttons.
Place product graphics/names
outside of these areas.



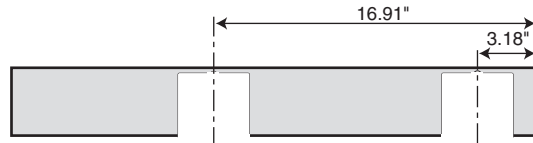
3/V389 PTS
2 piece, 2 product, narrow body



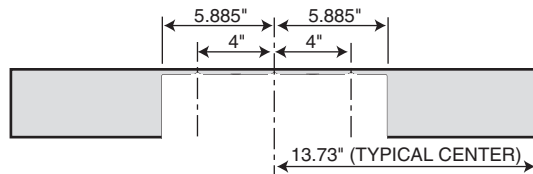
3/V387 PTS
1 product, narrow body



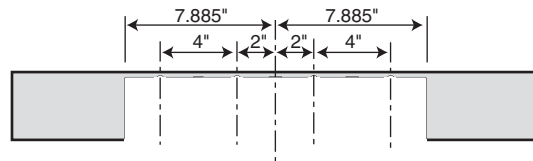
3/V389 PTS
1 piece, 2 product, narrow body



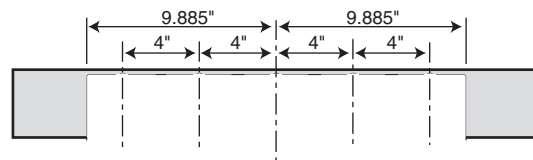
3/V580 PTS
3 product, narrow body



3/V585 PTS
4 product, narrow body



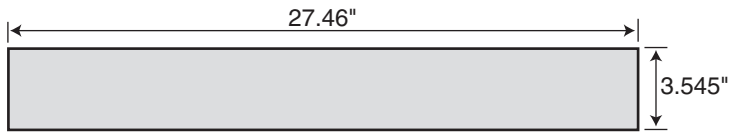
3/V585 PTS
5 product, narrow body



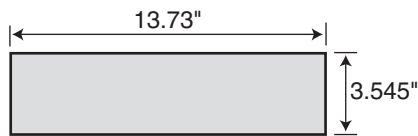
WIDE & NARROW BODY AD PANELS

For HINGED BEZEL 3/ Vistas.

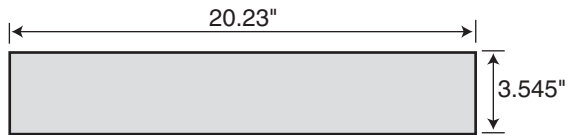
3/V387 LTS
1 product, narrow body



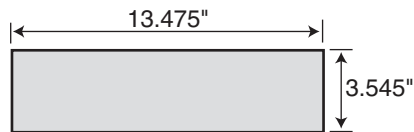
3/V389 LTS
2 products, narrow body



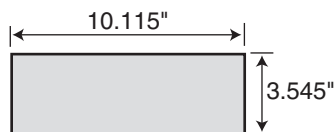
3/V399 LTS
2 products, wide body



3/V390 & 3/V590 LTS
3 products, wide body

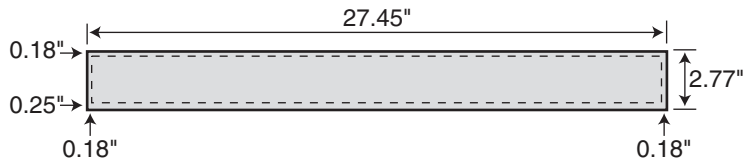


3/V490 LTS
4 products, wide body

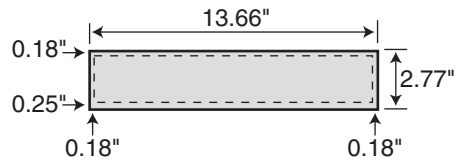


WIDE & NARROW BODY AD PANELS

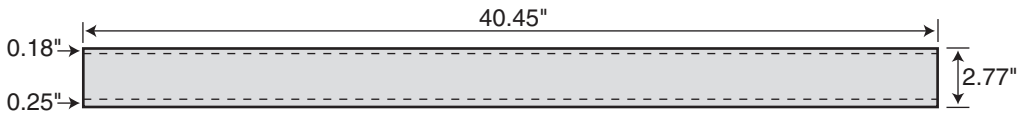
1/V, HS1/V, & 2/V 387, 389, 580, 585
1, 2, 3, 4 or 5 products, narrow body



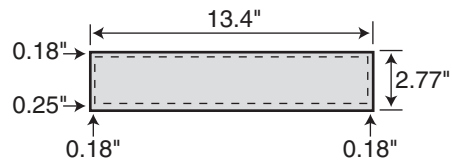
1/V & 2/V 389
2 products, narrow body



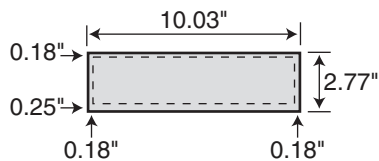
1/V & 2/V 390, 395, 490, 590
3 or 4 products, wide body



1/V & 2/V 390, 590
3 products, wide body



1/V & 2/V 395, 490
4 products, wide body

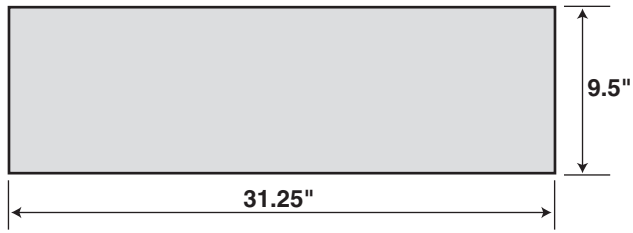


For NON-HINGED BEZEL 1/ and 2/ Vistas.

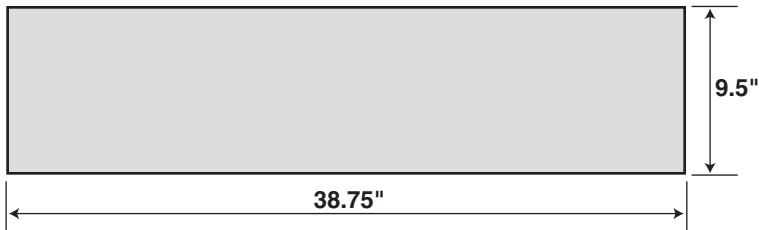
Dotted lines indicate the line of visibility. Anything placed outside these lines will not be seen on the dispenser.

VALANCE PANELS

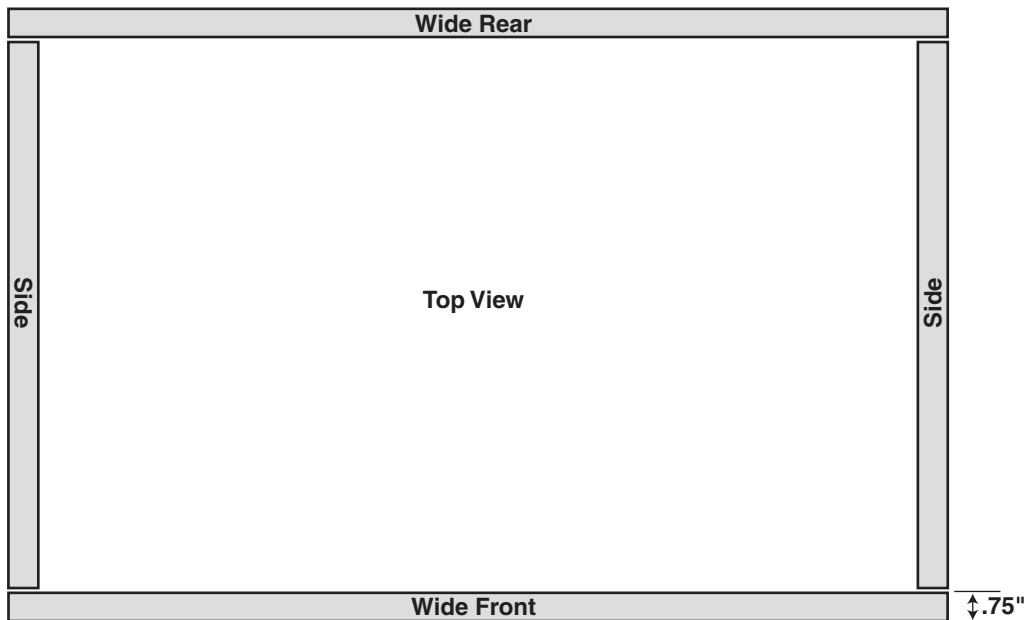
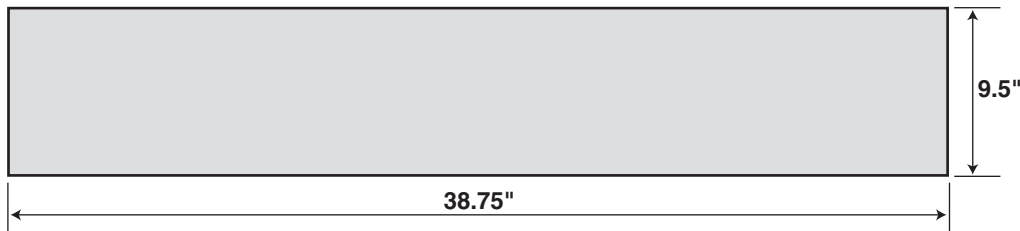
Narrow/Wide End



Narrow Front/Rear

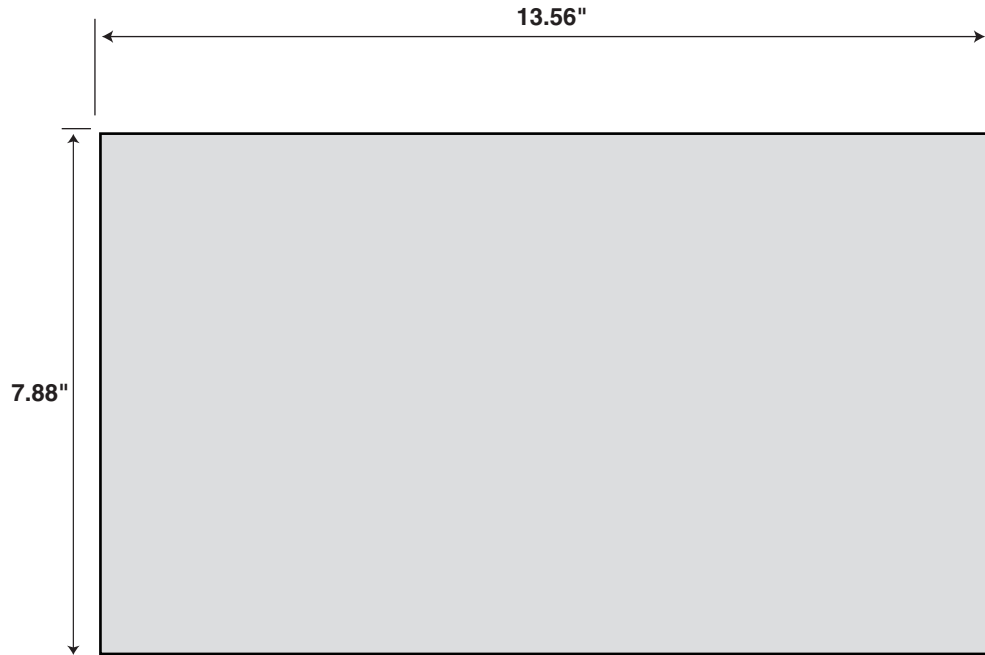


Wide Front/Rear

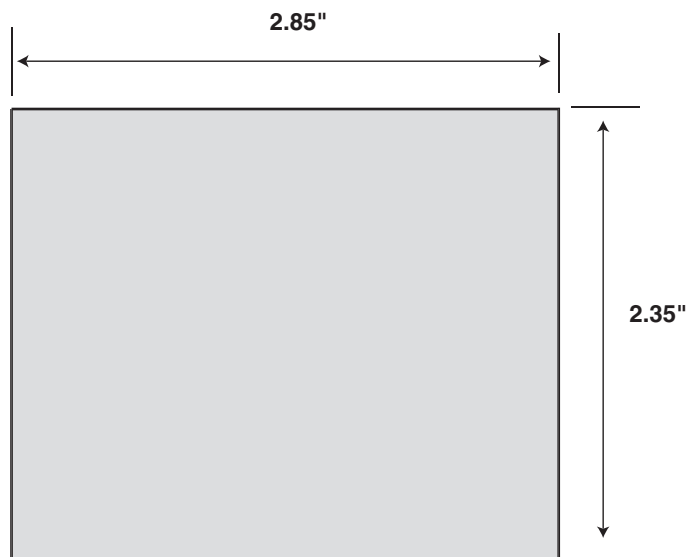


Valances are assembled as shown at bottom. Front and rear panel live area extends around to the 0.75" edges.

ADDITIONAL BEZEL DECALS - LARGE INSTRUCTION AND ACTUATOR.

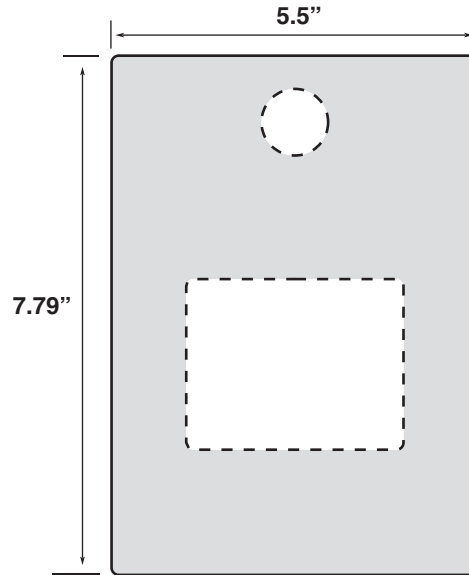


Instruction decal
Used on all wide
body Vista units and
narrow body vista
units not using a
CPM.

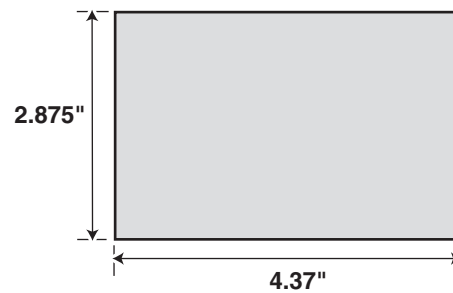


Actuator decal
Used on all push to
start Vista models.

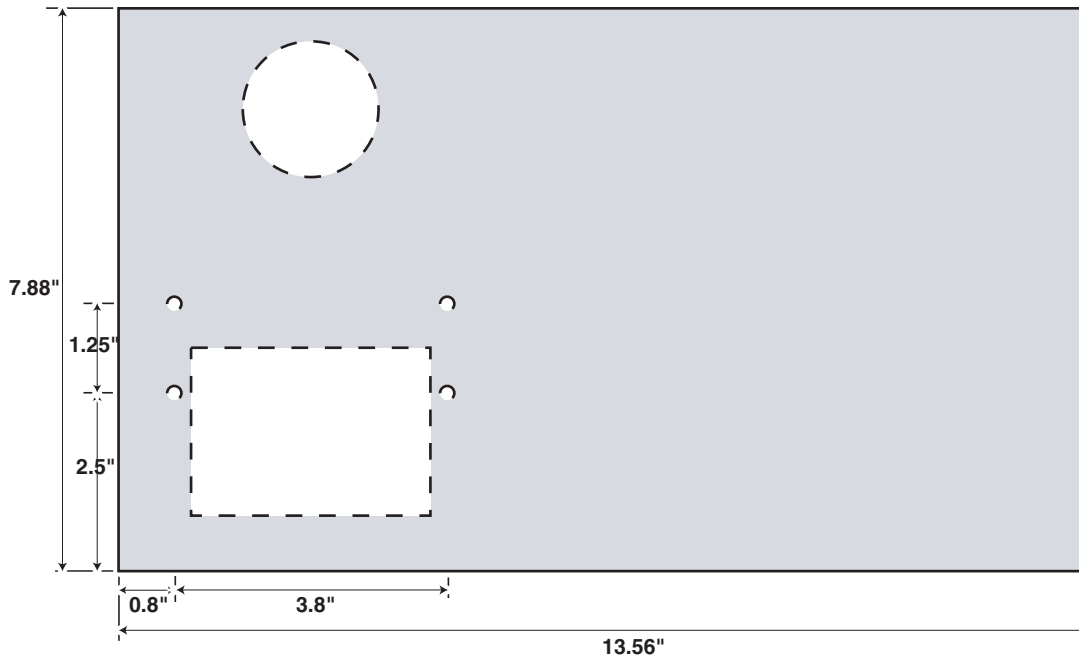
PRINTER DOOR AND SCANNER DECALS



Decal is positioned on the printer door. Areas indicated by dotted line are cutout to allow access to the door lock and printer receipt catch area.



Scanner Hood Decal, used in conjunction with larger decal shown below.



Main Scanner decal. The large circular area located in the top left hand corner covers the light indicators. It is recommended that a translucent film is used in this area to allow the light indicator to be visible when activated.

The rectangular area surrounded by 4 small circles should be cutout so that the decal fits around the scanner hardware.

