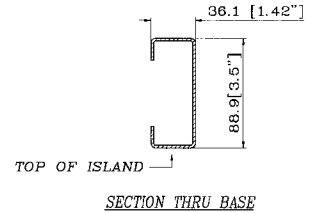
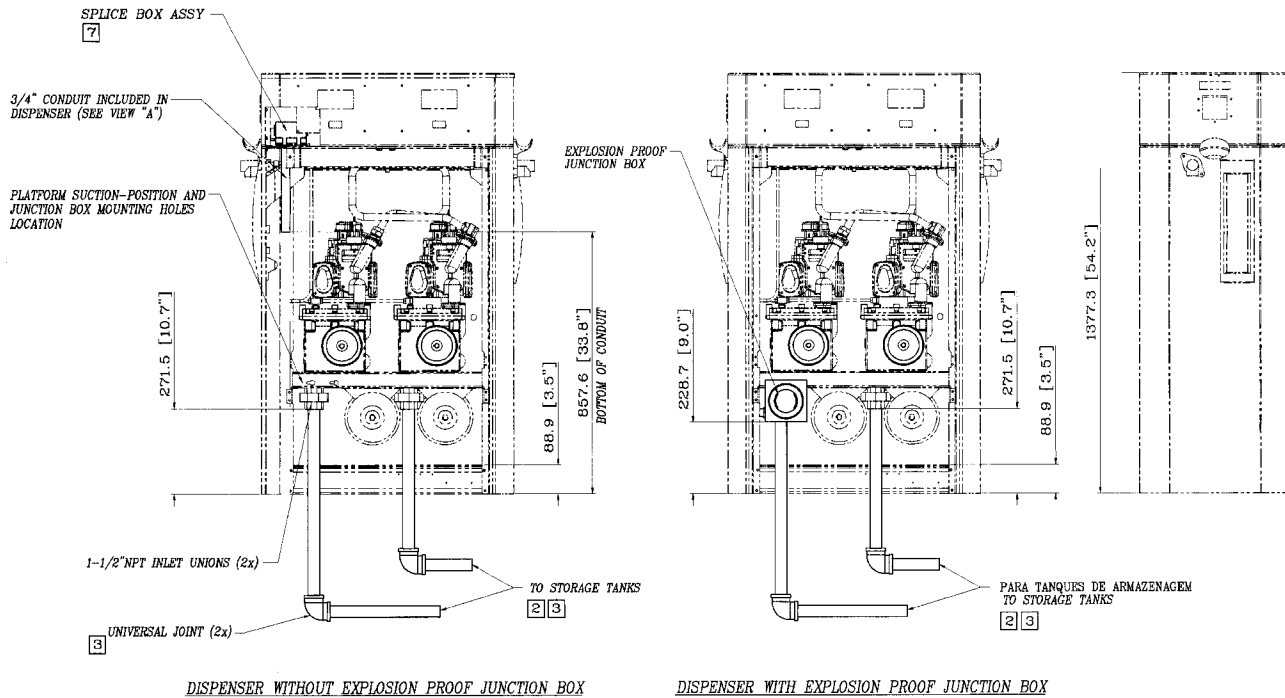


BASE DIMENSIONS G2001P/G2002P/G2003P/G2007P/G2009P

NOTES:

- 1- ALL PIPING AND ELECTRICAL INSTALLATIONS MUST CONFORM TO ALL APPLICABLE REGULATIONS INCLUDING NFPA30, FLAMMABLE & COMBUSTIBLE LIQUIDS CODE; NFPA30A, AUTOMOTIVE & MARINE SERVICE STATION CODE; NFPA70, NATIONAL ELETRICAL CODE.
- 2- PIPING FROM TANK TO DISPENSER SHOULD SLOPE UPWARDS, AVOIDING AIR OR LIQUID TRAPS.
- 3- USE UNIVERSAL JOINTS AT DISPENSERS TO ALLOW FOR GROUND MOVEMENT.
- 4- CONDUIT TAPS SHOWN ARE PROVIDED. ANY OR ALL MAY BE USE TO MAKE ELECTRICAL CONNECTIONS TO DISPENSER.
- 5- FIRMLY MOUNT THE DISPENSER TO THE ISLAND USING THE ANCHOR BOLT LOCATIONS PROVIDED.
- 6- EMERGENCY SHUTOFF VALVES AND BREAKAWAY DEVICES ARE EXAMPLES OF REQUIREMENTS STATED IN THE NFPA30A, AUTOMOTIVE & MARINE SERVICE STATION CODE. THESE, AS WELL AS ANY OTHER SAFETY DEVICES REQUIRED BY NFPA30 & 30A, MUST BE INSTALLED AND, MAINTAINED PER THE MANUFACTURER'S INSTRUCTIONS.
- 7- DISPENSERS THAT DO NOT HAVE AN EXPLOSION PROOF JUNCTION BOX IN THE HYDRAULIC CABINET AREA. ALL DISPENSER WIRES AND FIELD WIRE CONNECTIONS SHALL BE TERMINATED INSIDE THE SPLICE BOX PROVIDED. THESE WIRES MUST BE LABELED AND IDENTIFIED PER DISPENSER WIRING DIAGRAM AT LEAD ENDS AND 30" FROM THE LEAD ENDS.
- 8- SEE CHART FOR MOTOR VOLTAGES LIMITS.



MODEL G2003P SHOWN

SUCTION MODELS

MOTOR VOLTAGE LIMITS			
PHASE	NOMINAL VOLTAGE	HERTZ	VOLTAGE RANGE
1 PH	115 / 230 V	50/60	92 - 127 / 184 - 253
3 PH	220 V	50/60	176 - 242
3 PH	380 V	50/60	304 - 418
3 PH	220 / 380 V	50/60	176 - 242 / 304 - 418

WAYNE DIVISION
Dresser Industries, Inc.

Austin Markham Rio Salisbury

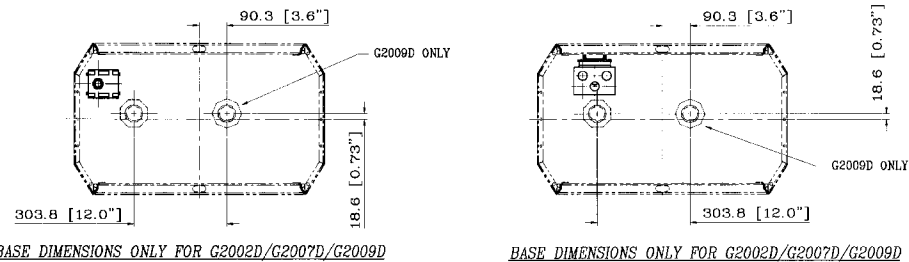
INSTALLATION INSTRUCTION
GLOBAL CENTURY
SUCTION MODELS

SHEET	DRAWING NO.	REV
A1	63-7133-C	C

SCALE: S/E SHEET: 01 of 01

Figure B-1 63-7133-C Installation Instruction - Global Century Suction Models.

C	DATA	REVISIONS	DATE	BY	CHK	DATE
1	02/01/99	REVISIONS	02/01/99			

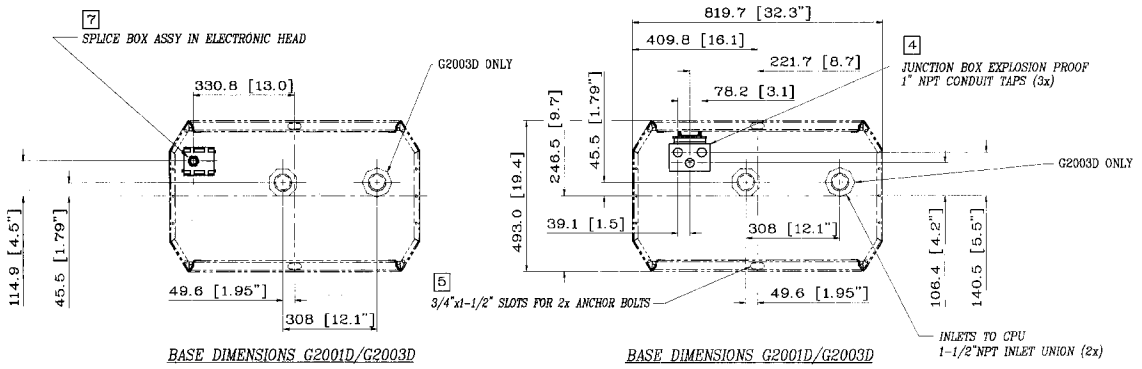


BASE DIMENSIONS ONLY FOR G2002D/G2007D/G2009D

BASE DIMENSIONS ONLY FOR G2002D/G2007D/G2009D

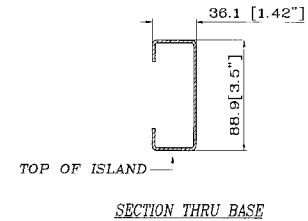
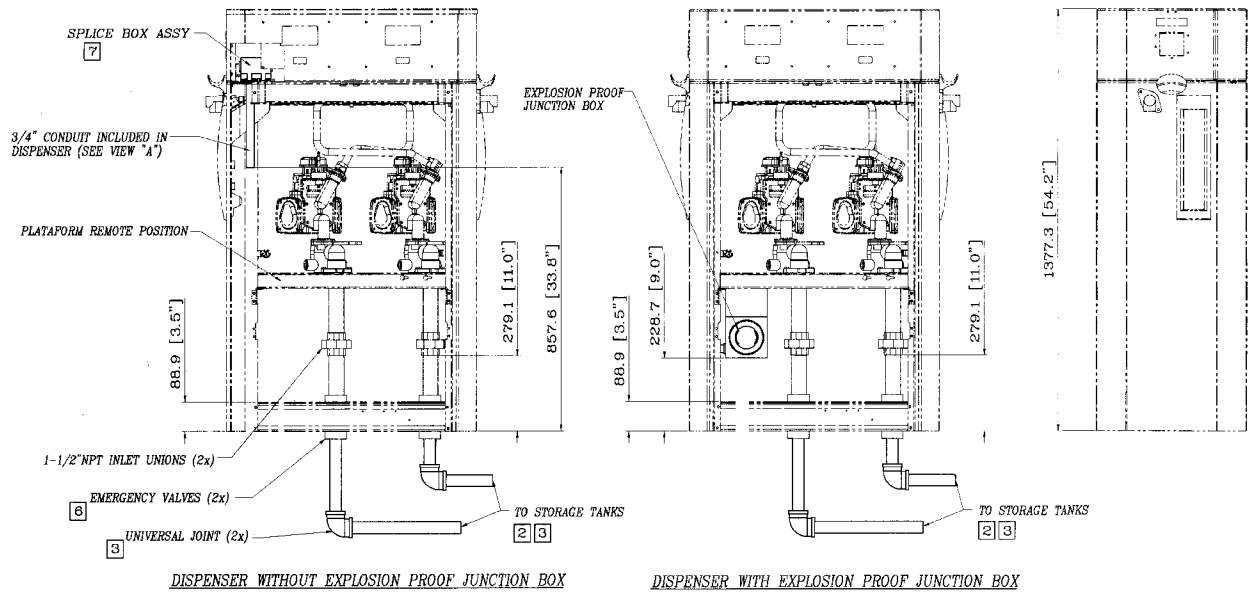
NOTES:

- 1- ALL PIPING AND ELECTRICAL INSTALLATIONS MUST CONFORM TO ALL APPLICABLE REGULATIONS INCLUDING NFPA30, FLAMMABLE & COMBUSTIBLE LIQUIDS CODE; NFPA30A, AUTOMOTIVE & MARINE SERVICE STATION CODE; NFPA70, NATIONAL ELECTRICAL CODE.
- 2- PIPING FROM TANK TO DISPENSER SHOULD SLOPE UPWARDS, AVOIDING AIR OR LIQUID TRAPS.
- 3- USE UNIVERSAL JOINTS AT DISPENSERS TO ALLOW FOR GROUND MOVEMENT.
- 4- CONDUIT TAPS SHOWN ARE PROVIDED. ANY OR ALL MAY BE USED TO MAKE ELECTRICAL CONNECTIONS TO DISPENSER.
- 5- FIRMLY MOUNT THE DISPENSER TO THE ISLAND USING THE ANCHOR BOLT LOCATIONS PROVIDED.
- 6- EMERGENCY SHUTOFF VALVES AND BREAKAWAY DEVICES ARE EXAMPLES OF REQUIREMENTS STATED IN THE NFPA30A, AUTOMOTIVE & MARINE SERVICE STATION CODE. THESE, AS WELL AS ANY OTHER SAFETY DEVICES REQUIRED BY NFPA30 & 30A, MUST BE INSTALLED AND MAINTAINED PER THE MANUFACTURER'S INSTRUCTIONS.
- 7- DISPENSERS THAT DO NOT HAVE AN EXPLOSION PROOF JUNCTION BOX IN THE HYDRAULIC CABINET AREA. ALL DISPENSER WIRES AND FIELD WIRE CONNECTIONS SHALL BE TERMINATED INSIDE THE SPLICE BOX PROVIDED. THESE WIRES MUST BE LABELED AND IDENTIFIED PER DISPENSER WIRING DIAGRAM AT LEAD ENDS AND 30" FROM THE LEAD ENDS.



BASE DIMENSIONS G2001D/G2003D

BASE DIMENSIONS G2001D/G2003D



REMOTE MODELS

MODEL G2003D SHOWN

WAYNE DIVISION Dresser Industries, Inc.		
<input type="checkbox"/> Austin	<input type="checkbox"/> Markham	<input checked="" type="checkbox"/> Rio
<input checked="" type="checkbox"/> Salisbury		
INSTALLATION INSTRUCTION GLOBAL CENTURY REMOTE MODELS		
SIZE A1	DRAWING NO. 64-7133-C	REV. C
SCALE S/E	SHEET 01 OF 01	

Figure B-2 64-7133-C Installation Instruction - Global Century Remote Models.