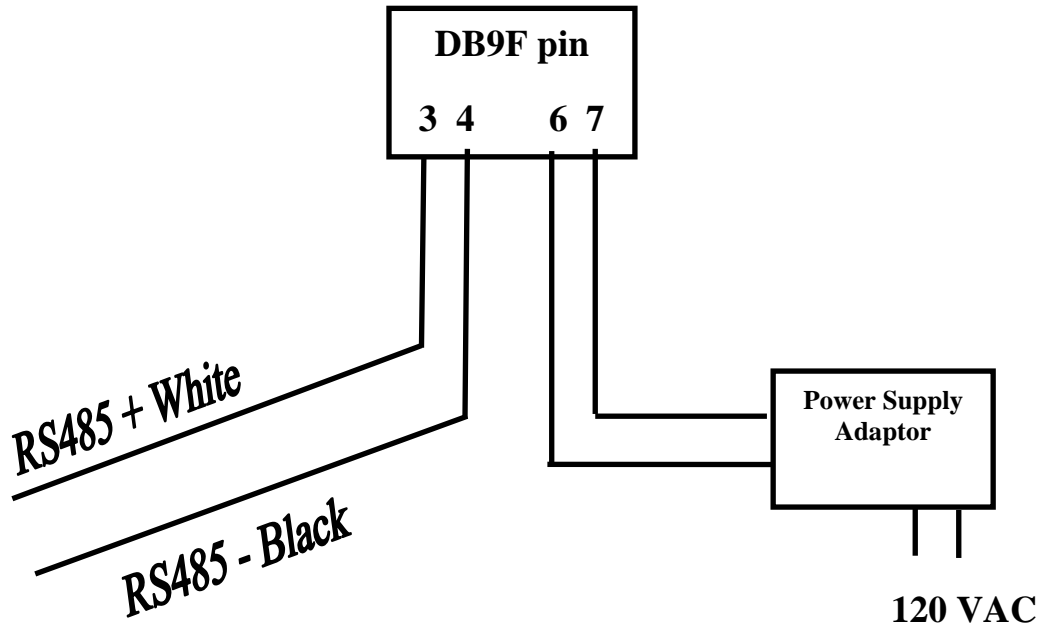


This DB9F plugs into the MSM



**These RS485 wires connect to the
4 Channel CAT GRIB**

**The power supply adaptor should be
plugged into a dedicated outlet for
the POS and secured to this outlet to
prevent accidental removal**