

EM COMUM COM
SHARED BY
AUS

1-7212-C

COLOR CODE

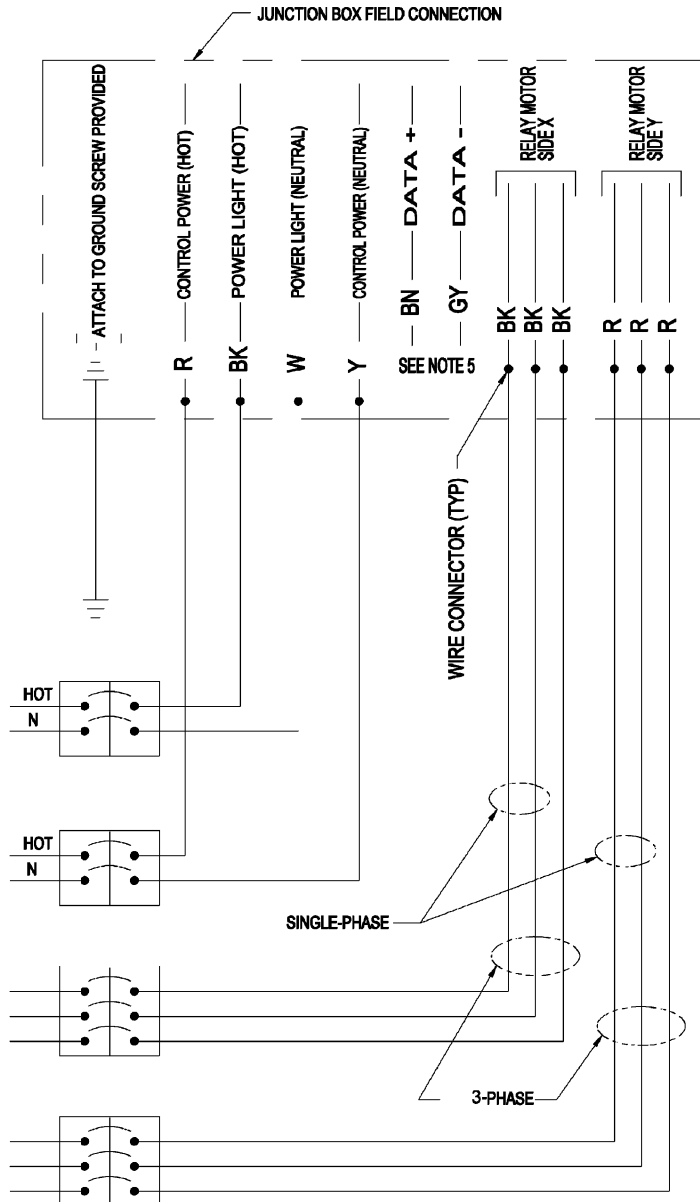
- Y - YELLOW
- W - WHITE
- BN - BROWN
- GY - GRAY
- BK - BLACK
- R - RED
- G - GREEN

LIGHTS POWER
240 OR 120 VAC
(SEE NOTE 3)

CONTROL POWER
240 OR 120 VAC
(SEE NOTE 3)

MOTOR X
240 VAC, 1 HP MAX.

MOTOR Y
240 VAC, 1 HP MAX.
WHEN REQUIRED



NOTES:

1- ALL EQUIPMENT TO BE INSTALLED IN ACCORDANCE WITH THE NATIONAL ELECTRICAL CODE (NFPA 70) AND THE AUTOMOTIVE AND MARINE SERVICE STATION CODE (NFPA 30A). NOTE: DATA AND RELAY SELECT WIRES ARE CONSIDERED CLASS I CIRCUITS.

2- FOR SUPPLY CONNECTIONS, USE WIRES RATED AT LEAST 90°C (194°F), 600V, GAS & OIL RESISTANT.

3-DISPENSER CONTROL POWER:
VOLTAGE: 110/220 VAC - 50/60 Hz
AMPERAGE: CONTROL POWER - 1.0 AMPS
CONTROL POWER AND LIGHTS - 1.6 AMPS

VOLTAGE: 240 VAC - 50 Hz
AMPERAGE: CONTROL POWER - 0.8 AMPS
CONTROL POWER AND LIGHTS - 1.5 AMPS

VOLTAGE: 240 VAC - 60 Hz
AMPERAGE: CONTROL POWER - 0.6 AMPS
CONTROL POWER AND LIGHTS - 1.3 AMPS

4- THE ELECTRICAL INTERCONNECTIONS SHOWN ON THIS DRAWING ARE TYPICAL WHEN ADDITIONAL LIKE DISPENSERS ARE INSTALLED AT A SITE. SEE APPROPRIATE MODEL No. INSTALLATION WIRING DIAGRAM WHEN OTHER MODELS ARE BEING INSTALLED.

5- FOR FULL DETAILS OF WAYNE CONTROL SYSTEMS INTERCONNECTIONS SEE THE MANUAL PROVIDED WITH THE WAYNE PUMP CONTROL SYSTEM OR WAYNE CARD PROCESSING SYSTEM.

PART NUMBER	DRAWING	USE
1-7212-C	AS SHOW	ALL NON-MASTER SUCTION
2-7122-C	SEE SEPARATED DWG	ALL NON-MASTER REMOTES

NÃO USAR O DESENHO COMO ESCALA/DO NOT SCALE DRAWING	DESENHADO DRAWN	JMA	17/08/99	DIVISÃO WAYNE WAYNE DIVISION Dresser Ind. e com. Ltda Dresser Industries, Inc. <input type="checkbox"/> Austin <input type="checkbox"/> Markham <input checked="" type="checkbox"/> Rio <input type="checkbox"/> Selisbury	
NÃO USAR O DESENHO COMO ESCALA/DO NOT SCALE DRAWING UNLESS OTHERWISE SPECIFIED DIMENSIONS ARE IN MILLIMETERS (INCHES)	PROJETO DESIGNED				
ANGULOS / ANGLES +/-1° .X (X) +/-0.5 (.025) .XX (XX) +/-0.25 (.010)	PLANIFICAÇÃO/SH MET UNFOLD MODELO / REF SET REV _			INSTALLATION WIRING DIAGRAM SUCTION NON-MASTERS	
A PEÇA DEVE SER LIVRE DE REBARBAS / QUEBRAR CANTOS VIVOS PART SHALL BE FREE OF BURRS / BREAK SHARP EDGES	DATA/DATE INCHES/MILLI				
REBARBAS / REBARBAS: ESTE DOCUMENTO CONTÉM INFORMAÇÃO PROPRIETÁRIA E CONFIDENCIAL. É PROIBIDO O USO PARA FINS DE REPRODUÇÃO OU DISTRIBUIÇÃO SEM O CONSENTIMENTO POR ESCRITO DA WAYNE DIVISION. ESTE DOCUMENTO CONTÉM INFORMAÇÃO PROPRIETÁRIA E CONFIDENCIAL. É PROIBIDO O USO PARA FINS DE REPRODUÇÃO OU DISTRIBUIÇÃO SEM O CONSENTIMENTO POR ESCRITO DA WAYNE DIVISION.	PROPRIETÁRIO / INFORMATION: THIS DOCUMENT CONTAINS PROPRIETARY AND CONFIDENTIAL INFORMATION. IT IS LOANED FOR LIMITED PURPOSES ONLY AND REMAINS THE PROPERTY OF THE WAYNE DIVISION, DRESSER INDUSTRIES, INC. IT MAY NOT BE REPRODUCED OR TRANSMITTED IN ANY FORM OR BY ANY MEANS, ELECTRONIC OR MECHANICAL, INCLUDING PHOTOCOPYING, RECORDING, OR BY ANY INFORMATION STORAGE AND RETRIEVAL SYSTEM, WITHOUT THE WRITTEN CONSENT OF THE WAYNE DIVISION AND MUST NOT BE DISCLOSED TO ANY OTHER PERSON OR ENTITY WITHOUT THE WRITTEN CONSENT OF THE WAYNE DIVISION. THIS DOCUMENT IS TO BE RETURNED TO WAYNE DIVISION UPON REQUEST AND/OR UPON COMPLETION OF THE USE FOR WHICH IT WAS LOANED.	1" DIETRO PROJECTION	FORMATO S/E: A3	DESENHO Nº / DRAWING NO. 1-7212-C	REV C
	ESCALA / SCALE	S/E		FOLHA / SHEET	01 DE 01