

Appendix C

Pulse Output Interface

C.1 Pulse Output Interface Wiring Diagram

Side A

Pulse Output
Side A, Hose 1, Channel X
Open Collector
Max Voltage 30V
Max Current 100ma

Pulse Output
Side A, Hose 1, Channel Y
Open Collector
Max Voltage 30V
Max Current 100ma

Auth Input
Side A, Hose 1
Relay Coil
Voltage 120VAC
Typ Current 5ma

Reset Output
Side A, Hose 1
Switch Contact
Typ Voltage 120VAC
Max Current 1A

Side B

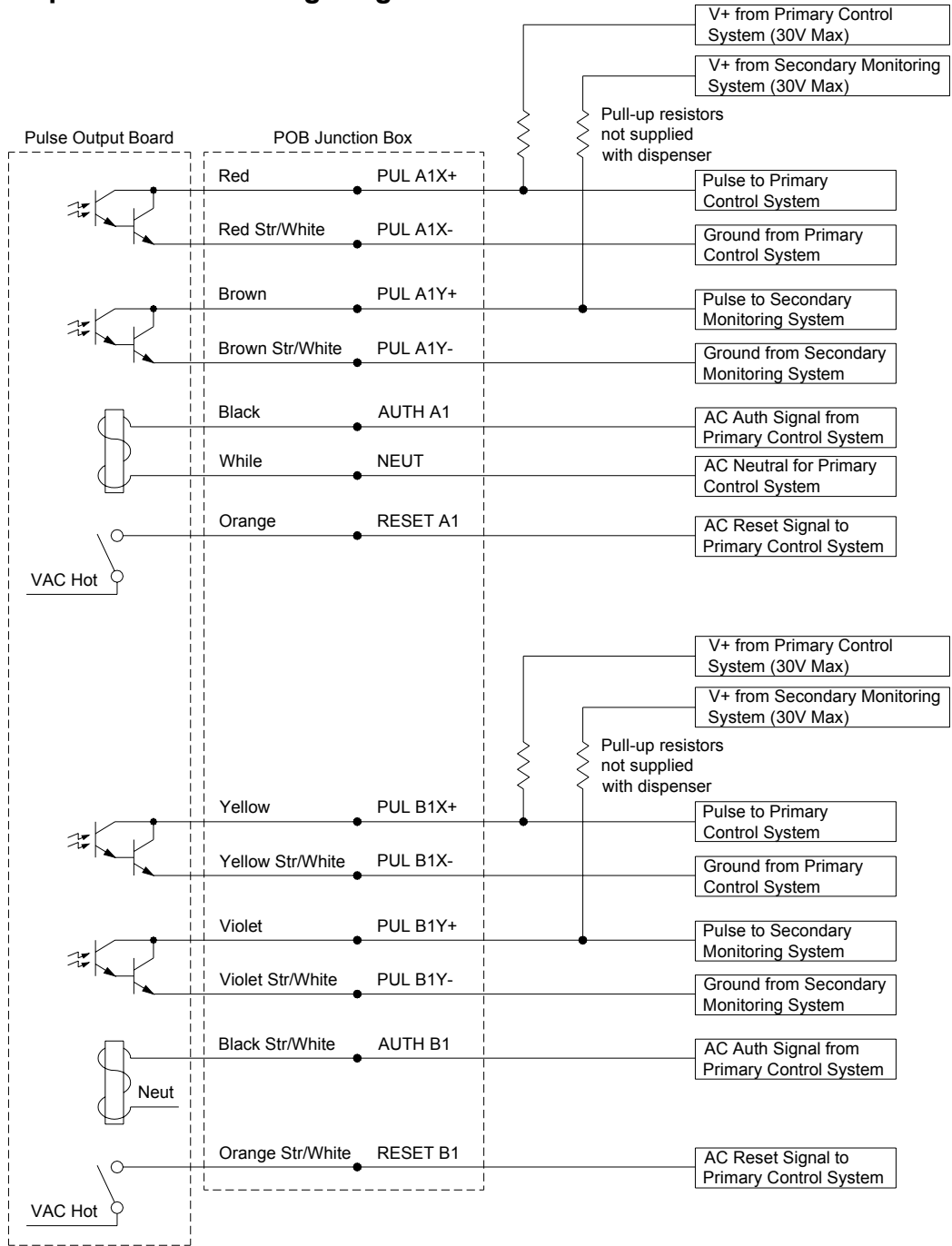
(Provided on Twin Units)

Pulse Output
Side B, Hose 1, Channel X
Open Collector
Max Voltage 30V
Max Current 100ma

Pulse Output
Side B, Hose 1, Channel Y
Open Collector
Max Voltage 30V
Max Current 100ma

Auth Input
Side B, Hose 1
Relay Coil
Voltage 120VAC
Typ Current 5ma

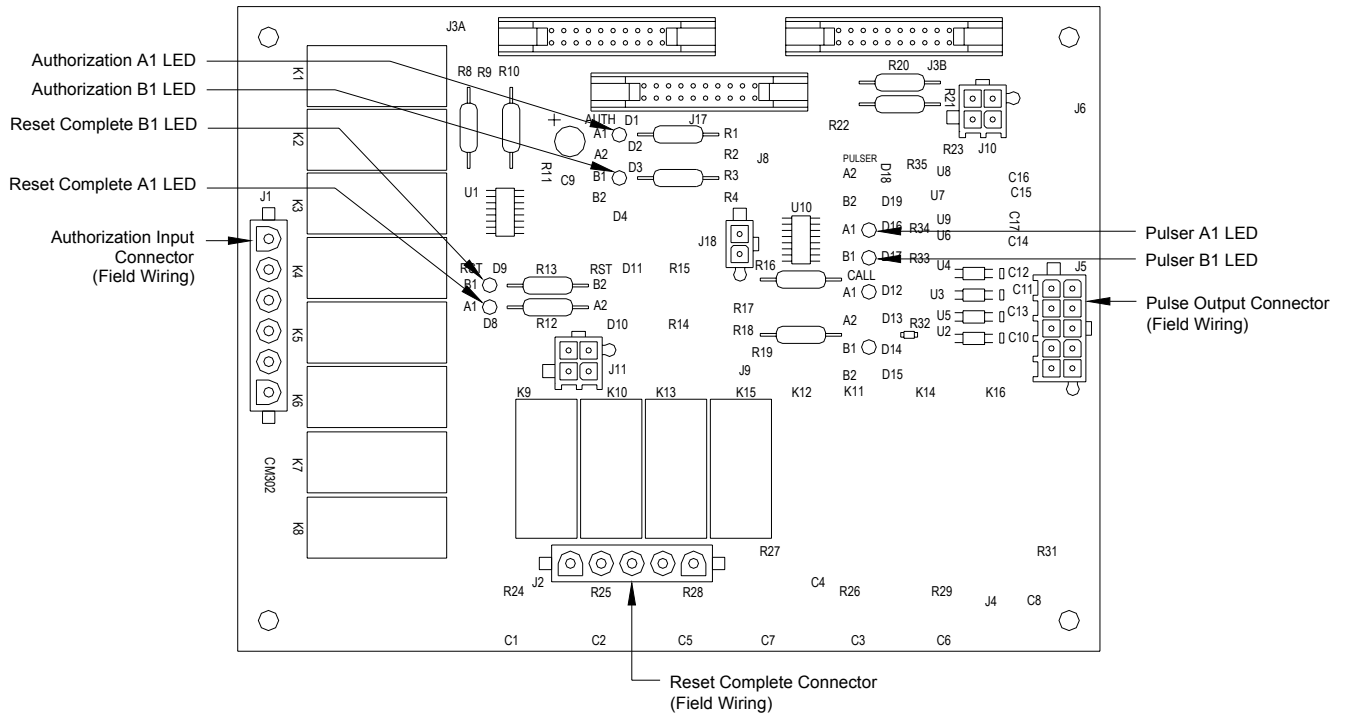
Reset Output
Side B, Hose 1
Switch Contact
Typ Voltage 120VAC
Max Current 1A



Notes:

1. When facing the AC Junction Box, Side A is always to the Left Side for both singles & twins.
2. The Control and Monitoring systems should be powered from the same breaker panel as the dispenser so that they share a common Neutral.

C.2 Pulse Output Interface Board Layout



D.10 Pulse Output Interface Option Settings

- The following functions/sub-functions are used to configure the pulse output interface option. These settings should be set at the factory when the pulse output option is ordered. The only function typically requiring any modification is selection of the desired pulse output resolution. (Note: The “MPI” acronym in the sub-function descriptions stands for “Mechanical Pump Interface” which is equivalent to Pulse Output Interface.)
- Reference the note at the base of the table regarding pulse resolution settings for liters.

Sub-function	Description	Setting
Enable Pulse Output		
41.01	Pulse Output – Side A	2 = enabled
41.02	Pulse Output – Side B	2 = enabled
Set Pulse Resolution - Gallons*		
19.25	Gallons Pulse Resolution Output	1 = 1:1 4 = 250:1 2 = 10:1 5 = 500:1 3 = 100:1 6 = 1000:1
Enable AC Authorization Input		
27.00	Local Authorization – Side A	0 = Disabled (set for MPI authorization)
27.01	MPI Authorization – Side A	6 = enabled
28.00	Local Authorization – Side B	0 = Disabled (set for MPI authorization)
28.01	MPI Authorization – Side B	6 = enabled
Enable Reset Complete		
41.03	MPI Reset Complete – Side A	10 = enabled
41.04	MPI Reset Complete – Side B	10 = enabled

***Note: For pulse output for liters, substitute the following sub-function and settings below.**

Set Pulse Resolution - Liters		
19.15	Liters Pulse Resolution Output	1 = 1:1 3 = 100:1 2 = 10:1 4 = 250:1