

# PARTS

Select & Century  
Electronic Registration  
Dispensers  
3/G7200 and 3/G2200



## Terms & Acronyms

Acronym/Abbreviation	Description
AR	As Required
ANSI	American National Standards Institute
ASSY	Assembly
BLK	Black
CHK. & PR. REL. VAL	Check & Pressure Relief Valve
CNTRSUNK	Countersunk
CPU	Compact Pumping Unit (Wayne Suction Pump) or Central Processing Unit
CU IN	Cubic Inch
DEG	Degrees
Duo-1	Single Product Twin
F/F	Female/Female Threads
FIHM	Fillister Head Machine Screw
FLPHSS	Flat Head, Phillips, Stainless Steel
FLTFPHSS	Flat Head, Phillips, Stainless Steel
FWSTCD	Flat Washer, Steel, Cadmium-Plated
FWSTZN	Flat Washer, Steel, Zinc-Plated
GALV	Galvanized
GC SUCT	Global Century Suction
HH	Hose Hanger
HM	Hose Mast
HR	Hose Retractor
HHC	Hex Head Cap Screw
HHCS	Hex Head Cap Screw
HHCSTZN	Hex Head Cap Screw, Zinc-Plated
HP	Horsepower
ID	Inside Diameter
I-Gem	Wayne Intelligent Global Electronics Module
ISB	Intrinsically Safe Barrier
JBOX	Junction Box
KPNTMSSTZN	Keps Nut, Steel, Zinc-Plated
LK	Lock
MACH	Machined
M.F. COND.	Male/Female Threads Conduit
NPT	National Pipe Thread
NOZZL	Nozzle
OD	Outside Diameter
PD	Pitch Diameter
PHPHSTZN	Pan Head, Phillips, Steel, Zinc-Plated
SBHCS	Socket Button Head Cap Screw
SCR	Screw
SHCS	Socket Head Cap Screw
SHCSSTZN	Socket Head Cap Screw, Steel, Zinc-Plated
SHCTT	Socket Head Cap "Tap-Tite"
SLHCS	Socket Low Head Cap Screw
SNGL	Single
SOL	Solenoid
SPEC S#	Screw Specification Number
SPL	Split
SQ.HD.	Square Head
TAP /R TH	"Tap-Tite" Thread Forming Screw
TTWAS	"Tap-Tite" Washer Head Screw
TW1	Single Product Twin
UL	Underwriter's Laboratories
VLV	Valve
WAHH	Washer Hex Head
WIP	Wayne Intelligent Pulser
WSHR	Washer

## TABLE OF CONTENTS

<u>Title</u>	<u>Page</u>
Terms & Acronyms .....	Inside Front Cover
Locating Part Numbers & Ordering Parts .....	1
Model Designation Format .....	3
Housing, Exterior Trim, & Hose Handling .....	5
Displays & Display Cabling .....	11
Electrical & Electronics for Standard, Enhanced and SHC Models .....	13
AC Junction Box for Standard, Enhanced and SHC Models .....	17
Suction Pump Wiring (All Models) .....	19
Remote Dispenser Wiring (All Models) .....	21
Electrical & Electronics for Ultra-High Capacity Models .....	23
Pulse Processing Module (UHC Models) .....	26
Nozzle Boot, Metal .....	27
Nozzle Boot, Plastic .....	28
OPW 11VF Nozzle Boot Kit .....	29
Healy 400 Nozzle Boot Kit .....	30
Pulse Output for Standard, Enhanced and SHC Models .....	31
Pulse Output for Ultra-High Capacity Models .....	33
Hydraulics, Standard/Enhanced Capacity Remote Dispensers .....	35
Hydraulics, Standard/Enhanced Capacity Suction Pumps .....	39
Hydraulics, Super High Capacity Single Remote Dispensers .....	43
Hydraulics, Super High Capacity Twin I Remote Dispensers .....	45
Hydraulics, Super High Capacity Suction Pump .....	47
Hydraulics, Super High Capacity Master/Satellite (Non-ATC Version) .....	49
Hydraulics, Super High Capacity Master/Satellite (ATC Version) .....	51
Hydraulics, Ultra-High Capacity Dispenser .....	53
Hydraulic Components, Remote Dispenser iMeter .....	59
Hydraulic Components, Suction Dispenser iMeter .....	60
Hydraulic Components, Compact Pumping Unit .....	61
Hydraulic Components, LC M-5 Meter .....	63
Hydraulic Components, Check Valve Assembly .....	64
Healy Vapor Recovery Option .....	65
Cabinet for Super High Capacity Satellite .....	67
Hydraulics for Super High Capacity Satellite .....	69
Ultra-High Capacity Satellite .....	71

**Note: Wayne parts manuals are available in an Annual Parts Subscription on CD-ROM and paper. They can be ordered through Wayne Service Parts.**

**Copyright ©2008 Dresser, Inc.  
All rights reserved.**

The information in this publication is proprietary and confidential. It can be duplicated for the sole purpose of the promotion, sale, and support of Dresser Wayne Select & Century™ dispensers and should not be altered in any form.

The information in this publication is for informational use only and is subject to change without notice. The contents should not be construed as commitment by Dresser, Inc. who assumes no responsibility or liability for inaccuracies that may appear in this publication.

## How to Locate Part Numbers

**Step 1** Before looking up the part number, you should have the complete model number of the dispenser. The model number can be found on the serial number plate.

**Step 2** Use the Model Designation Format table in the next section to interpret the base model and options contained in the model number.

**Important:** Some parts have multiple part number selections based upon the different dispenser options.

**Step 3** Using the “Locating Information by Model Number” table, locate the module which you believe contains the desired part(s), and turn to that section. Note that most dispenser options have their own sections.

**Step 4** Find the part needed on the module drawing and the corresponding item number. Read any notes on the drawing for assistance in locating the correct item and part number.

**Step 5** Lookup the item number in the item listing on the facing page to find the part number and description.

**Notes:** Quantities are provided when the quantity of a major part differs between models. Quantities of all parts are not provided. The manual is designed to be a part reference tool for service parts replacement and not a complete bill of materials.

Some item numbers have multiple selections based upon the model options. If necessary, a table of acronyms and abbreviations can be found on the inside front cover to help interpret the description.

If a model number reference begins with “3/GX” then it is applicable for both the 3/G7200 and 3/G2200 models.

## How to Order Parts

Parts should be ordered through Dresser Wayne Authorized Distributors. When ordering parts, always include the following information:

- Part Number
- Part Description
- Quantity Desired

## How to Contact Dresser Wayne

Dresser Wayne Technical Support	1-800-926-3737
Dresser Wayne Service Parts Department	1-512-218-6547 (Phone)
	1-512-388-8592 (Distributor Fax)

## Locating Information by Model Number

Note: Some options may alter the models strings shown below. If these options are not specifically shown below, use the closest model string to identify the appropriate model.

		Housing	Product ID	Displays	Electronics	J-Box	Wiring	PPM	Nozzle Boot	Pulse Output	Hydraulics	Hydraulic Components	Vapor Recovery
<b>STANDARD and HIGH SPEED SUCTIONS</b>													
3/G7201P/2JK/W	3/G2201P/JK	5	9	11	13	17	19	N/A	28	31	39	60	N/A
3/G7207P/2JKR/W		5	9	11	13	17	19	N/A	28	31	39	60	N/A
3/G7202P/2JK	3/G2202P/JK	5	9	11	13	17	19	N/A	28	31	39	60	N/A
3/G7207P/2JK	3/G2207P/JK	5	9	11	13	17	19	N/A	28	31	39	60	N/A
3/G7203P/28JK/W	3/G2203P/8JK	5	9	11	13	17	19	N/A	28	31	39	60	N/A
3/G7208P/28JK/W		5	9	11	13	17	19	N/A	28	31	39	60	N/A
3/G7203P/2JK/W	3/G2203P/JK	5	9	11	13	17	19	N/A	28	31	39	60	N/A
3/G7208P/2JK/W		5	9	11	13	17	19	N/A	28	31	39	60	N/A
3/G7221P/8GJK		5	9	11	13	17	19	N/A	28	31	47	60	N/A
3/G7227P/8GJKR		5	9	11	13	17	19	N/A	28	31	47	60	N/A
<b>STANDARD and HIGH SPEED DISPENSERS</b>													
3/G7201D/2GJK	3/G2201D/GJK	5	9	11	13	17	21	N/A	28	31	35	59	63
3/G7207D/2GJKR		5	9	11	13	17	21	N/A	28	31	35	59	63
	3/G2202D/GJK	5	9	11	13	17	21	N/A	28	N/A	35	59	63
3/G7242D/2GJK		5	9	11	13	17	21	N/A	28	31	35	59	63
	3/G2207D/GJK	5	9	11	13	17	21	N/A	28	N/A	35	59	63
3/G7247D/2GJK		5	9	11	13	17	21	N/A	28	31	35	59	63
3/G7203D/28GJK	3/G2203D/8GJK	5	9	11	13	17	21	N/A	28	31	37	59	63
3/G7208D/28GJK		5	9	11	13	17	21	N/A	28	31	37	59	63
3/G7203D/2GJK	3/G2203D/GJK	5	9	11	13	17	21	N/A	28	31	35	59	63
3/G7208D/2GJK		5	9	11	13	17	21	N/A	28	31	35	59	63
<b>SUPER HIGH SPEED DISPENSERS</b>													
3/G7221D/GJK	3/G2221D/GJK	5	9	11	13	17	21	N/A	28	31	43	59	N/A
3/G7227D/GJKR	3/G2227D/GJKR	5	9	11	13	17	21	N/A	28	31	43	59	N/A
3/G7227D/GJKMR	3/G2227D/GJKMR	5	9	11	13	17	21	N/A	28	31	43	59	N/A
3/G7228D/GJKLM	3/G2228D/GJKLM	5	9	11	13	17	21	N/A	28	31	49	59	N/A
3/G7227D/GJK	3/G2227D/GJK	5	9	11	13	17	21	N/A	28	31	45	59	N/A
3/G7227D/GJKM	3/G2227D/GJKM	5	9	11	13	17	21	N/A	28	31	45	59	N/A
3/G7221D/CGJK	3/G2221D/CGJK	5	9	11	13	17	21	N/A	28	31	45	59	N/A
3/G7227D/CGJKR	3/G2227D/CGJKR	5	9	11	13	17	21	N/A	28	31	45	59	N/A
3/G7227D/CGJKMR	3/G2227D/CGJKMR	5	9	11	13	17	21	N/A	28	31	45	59	N/A
3/G7228D/CGJKLM	3/G2228D/CGJKLM	5	9	11	13	17	21	N/A	28	31	51	59	N/A
<b>ULTRA HIGH SPEED DISPENSERS</b>													
3/G7231D/GJK	3/G2231D/GJK	5	9	11	23	23	21	26	28	33	53	63	N/A
3/G7237D/GJKMR	3/G2237D/GJKMR	5	9	11	23	23	21	26	28	33	53	63	N/A
3/G7232D/GJK	3/G2232D/GJK	5	9	11	23	23	21	26	28	33	53	63	N/A
3/G7237D/GJKM	3/G2237D/GJKM	5	9	11	23	23	21	26	28	33	53	63	N/A
3/G7236D/GJKMR		5	9	11	23	23	21	26	28	33	53	63	N/A
3/G7233D/GJK	3/G2233D/GJK	5	9	11	23	23	21	26	28	33	53	63	N/A
3/G7238D/GJKM	3/G2238D/GJKM	5	9	11	23	23	21	26	28	33	53	63	N/A
3/G7234D/GJKMR		5	9	11	23	23	21	26	28	33	53	63	N/A
3/G7238D/GJKLM	3/G2238D/GJKLM	5	9	11	23	23	21	26	28	33	53	63	N/A
	3/G2239D/GJKMR	5	9	11	23	23	21	26	28	N/A	53	63	N/A
<b>SUPER HIGH SPEED SATELLITES</b>													
3/G7007/JKLR	3/G2007/JKLR	67	9	N/A	N/A	69	N/A	N/A	28	N/A	69	N/A	N/A
3/G7008/JKL	3/G2008/JKL	67	9	N/A	N/A	69	N/A	N/A	28	N/A	69	N/A	N/A
<b>ULTRA HIGH SPEED SATELLITES</b>													
3/G7037/JKLR	3/G2037/JKLR	71	9	N/A	N/A	71	N/A	N/A	28	N/A	71	N/A	N/A
3/G7038/JKL	3/G2038/JKL	71	9	N/A	N/A	71	N/A	N/A	28	N/A	71	N/A	N/A
3/G7039/JKLR	3/G2039/JKLR	71	9	N/A	N/A	71	N/A	N/A	28	N/A	71	N/A	N/A

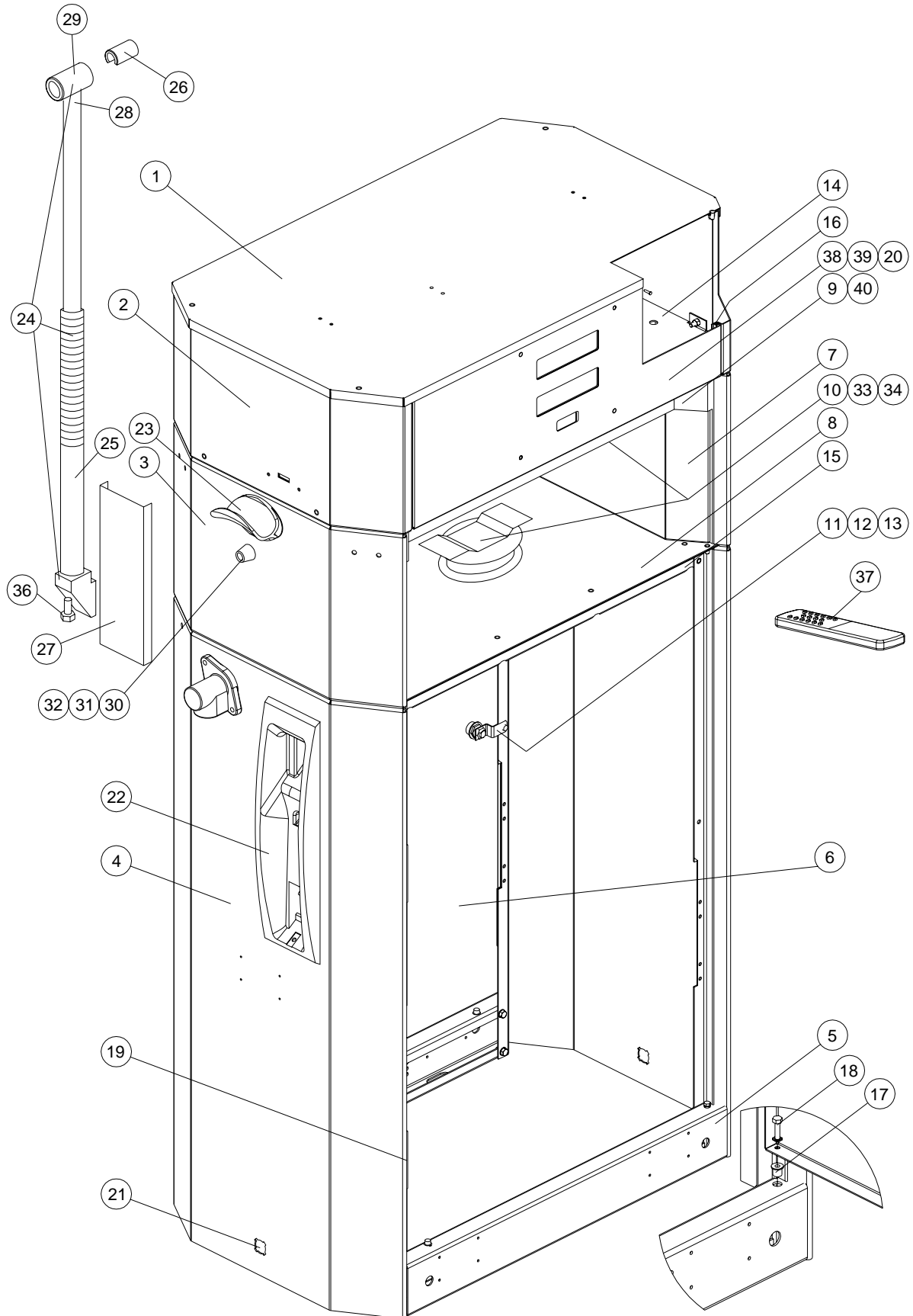
## Model Designation Format

Prefix / Main Body / First Suffix / Second Suffix  
 X / ABCDEF / ZZZZZZZ / YYYYYYYYYY

<b>Prefix</b>	X	Electronic & Hydraulic Configuration	3	I-Gem
	/			
<b>Main Body</b>	A	Model Series	G	Global
			2	Century
			7	Select Electronic Fleet
	C	Model Style	0	Satellite Cabinet
			2	Column Style
	D	Flow Rate Capacity	0	Standard & High Capacity
			2	Super High Capacity
			3	Ultra High Capacity
			4	Standard & High Capacity – Max. Two-Hose Flow (Twin I remote dispenser only)
	E	Hoses, Products, & Nozzle Configuration	1	One Hose, One Product, Island-Oriented Nozzle
			2	Two Hoses, One Product, Island-Oriented Nozzles
			3	Two Hoses, Two Products, Island-Oriented Nozzles
			4	Only available with “R” suffix. Two Hoses, Single-Sided, Two Products, Lane-Oriented Nozzles
			6	Only available with “R” suffix. Two Hoses, Single-Sided, Two Products, Lane-Oriented Nozzles
			7	Two Hoses (One Hose w/ “R” suffix), One Product, Lane-Oriented Nozzle(s)
			8	Two Hoses, Two Products, Lane-Oriented Nozzles
	F	Hydraulic System	D	Remote Dispenser
			P	Suction Pump
	/			
<b>First Suffix</b>	Z	Additional Model Designators	L	Satellite – Super & Ultra High Capacity Models
			M	Master – Super & Ultra High Capacity Models
			R	Single-Sided Lane-Oriented Model
			8	Indicates model uses two ½-populated duplex iMeters (Only dual Inlet models that use iMeters & SHC Suctions)
			G	Internal Filter (Remote disps. only – n/a on suction models)
			J	Explosion-Proof AC Junction Box
			K	Hose Hanger (eliminated w/ hose retractor & mast options)
			1	Price displays (Select)
		Options	2	Enhanced Capacity (1” discharge. This suffix is not used on Super or Ultra High High Capacity models)
			C	Automatic Temperature Compensation-Non UL
			D3	HealyVac, Single or Twin-One Side
			D4	HealyVac, Twin with Both Sides
			H	Pulse Output Interface
			I	Satellite “In Use” Indicator
			S	Preset keypad
	Z	240VAC Operation of Electronic Register and Light		

		/	
<b>Second Suffix</b>	Y	Standard	W No Solenoid (Suction models only. N/A on Two hose, 1 product, where solenoid is standard.)
		Options	H Internal Hose Retractor
			J Hose Mast
			K Electromechanical Totalizer Per Hose (Only applicable on Enhanced Capacity Twin I models. EMT per hose is std. on all other models.)
			L Heating Element and Fan for Electronic Head
			M Spring-Loaded Inlet Check Valve
			S2 SS Doors only
			S3 SS Doors, Lower Sides, Vapor Barrier & Bases
			S4 SS Lower Sides, Vapor Barrier & Bases

# Housing, Exterior Trim, & Hose Handling





**Color Designation:** When specifying part number, replace "-XXX" suffix with the appropriate three character color designation. Standard silver for a Select is "A17." Standard blue for a Select is "B12." Standard grey for a Century is "F81." Standard black is "J21." For other colors, consult the factory.

**\* Note:** When items have multiple choices due to different options, the possible selections are denoted with an asterisk next to the quantity. Be sure to select the part that matches your application.

Item No.	Part No.	Models & Quantity Used																Description										
		Standard/Enhanced								SHC				UHC														
		3/GX201	3/G7207/R	3/GX202	3/G7242	3/GX207	3/G7247	3/GX203	3/G7208	3/GX221D	3/GX227D	3/GX227DIR	3/G7221P/8	3/G7227P/8R	3/GX228/LM	3/GX231	3/GX237/R		3/GX232	3/GX237	3/G7236/R	3/GX233	3/GX238	3/G7239/R	3/G7234/R	3/GX238/LM		
1	001-301514-XXX	One on all models																Top Cover										
2	001-301515-XXX	One for each side with a totalizer																Upper Side Panel (W/ Tot Opening & Studs)										
	003-301515-XXX	1	1	1(without//K)						1	1	1	1	1	1	1	1									1	Upper Side Panel (No Tot Opening)	
3	006-301521-XXX	1	1							1		1	1			1	1										Mid-Side Panel (Blank)	
	004-301521-XXX	1	1	2	2	2	2	2	2							1	1	2	2	2	2	2	2	2	2	2	Mid-Side Panel (Std Speed & UHC Hose Hanger)	
	001-305526-XXX									1	2	1	1	2	2												Mid-Side Panel (SHC Hose Hanger)	
	003-301527-XXX	1	1	2	2	2	2	2	2	1	2	1	1	2	2	1	1	2	2	2	2	2	2	2	2	2	Mid-Side Panel (Hose Retractor)	
	003-305019-XXX	1	1	2	2	2	2	2	2	1	2	1	1	2	2	1	1	2	2	2	2	2	2	2	2	2	Mid-Side Panel (Hose Mast)	
4	Painted	001-301524-XXX	1		2	2			2																		Side Column (Std Speed Island Oriented)	
		011-301524-XXX	1		2	2			2																		Side Column (Std Speed Island Oriented-Healy)	
		005-305030-XXX		1			2	2		2																		Side Column (Std Speed Lane Oriented)
		015-305030-XXX		1			2	2		2																		Side Column (Std Speed Lane Oriented-Healy)
		005-301518-XXX									1			1														Side Column (SHC Island Oriented, HH, HR)
		007-301518-XXX									1			1														Side Column (SHC Island Oriented HM)
		002-305519-XXX									2	1		2														Side Column (SHC Lane Oriented HH, HR)
		004-305519-XXX									2	1		2														Side Column (SHC Lane Oriented HM)
		001-306205-XXX														2												Side Column (G7228D/LM HH, HR)
		003-306205-XXX														2												Side Column (G7228D/LM HM)
		890449-002-XXX	1	1							1		1	1			1	1										Side Column (Blank)
		890449-001-XXX															1	2			2							Side Column (UHC Island Oriented)
		890449-003-XXX															1	2	1		2	1	1	2				Side Column (UHC Std Right Side Lane Oriented)
		890449-004-XXX																1			1		1	1				Side Column (UHC Left Side Lane Oriented)
		SS	890449-006-0SS	1		2	2			2		1		1														Side Column (Std Speed & SHC, Island Oriented, SS)
890449-001-0SS															1	2			2							Side Column (UHC, Island Oriented, SS)		
890449-002-0SS															1											Side Column (Blank, SS)		
892287-0SS	1			2	2			2																		Discharge Plate (Std Speed, SS)		
892102-0SS										1		1														Discharge Plate (SHC, SS)		
5	001-047941-XXX	Two on all models																Base Half, Painted										
	001-047941-0SS	Two on all models w/ SS Option																Base Half, SS										
6	Paint	001-047938-XXX	2	2	2	2	2	2	2	2	2	2	2	2	2	2	2	2	2	2	2	2	2	2	2	2	Door (Flat, Painted)	
		001-305591-XXX	2		2		2		2		2		2		2		2		2		2		2		2	2	Door (Diamond-Painted)	
		002-047938-	2	2	2	2	2	2	2	2	2	2	2	2	2	2	2	2	2	2	2	2	2	2	2	2	Door (Flat, Stainless Steel)	
		002-305591-	2		2		2		2		2		2		2		2		2		2		2		2	2	Door (Diamond - Stainless Steel)	
7	001-301529-XXX	Two on all models w/ hanger or mast																Inside Mid Panel (All With HH Or HM)										
	001-305108-XXX	Two on all models with hose retractor																Inside Mid Panel (Hose Retractor)										

HH-Hose Hanger	SHC-Super-High Cap
HR-Hose Retriever	UHC-Ultra-High Cap
HM-Hose Mast	SS-Stainless Steel

Note: For SS Std. Speed and SHC Island Oriented Side Columns, a Discharge Plate is required.

## Housing, Exterior Trim, & Hose Handling

Item No.	Part No.	Models & Quantity Used																		Description						
		Standard/Enhanced						SHC						UHC												
		3/GX201	3/G7207/R	3/GX202	3/G7242	3/GX207	3/G7247	3/GX203	3/G7208	3/GX221D	3/GX227D	3/GX227D/R	3/G7221P/8	3/G7227P/8R	3/GX228LM	3/GX231	3/GX237/R	3/GX232	3/GX237		3/G7236/R	3/GX233	3/GX238	3/G2239/R	3/G7234/R	3/GX238LM
8	Painted	010-305004-XXX	1	1																						Lower Vapor Barrier (Select 1 Motor, 1 Valve)
	009-305004-XXX			1	1	1	1	1	1																	Lower Vapor Barrier (Select 2 Motors, 2 Valves)
	003-305004-XXX	1																								Lower Vapor Barrier (Century 1 Motor, 1 Valve)
	002-305004-XXX			1		1		1																		Lower Vapor Barrier (Century 2 Motor, 2 Valves)
	011-305004-XXX									1	1			1												Lower Vapor Barrier (SHC Lane Oriented)
	012-305004-XXX								1																	Lower Vapor Barrier (SHC Island Oriented)
	005-305004-XXX									1	1			1												Lower Vapor Barrier (SHC Lane Diamond Door)
	006-305004-XXX								1																	Lower Vapor Barrier (SHC Island Diamond Door)
	011-305004-XXX												1													Lower Vapor Barrier (SHC Suction Lane Oriented)
	012-305004-XXX												1													Lower Vapor Barrier (SHC Suction Island Oriented)
	890455-001-XXX														1	1	1	1	1	1	1	1	1	1	1	Lower Vapor Barrier (UHC Flat Door)
	014-305004-XXX														1	1	1	1	1	1	1	1	1	1	1	Lower Vapor Barrier (UHC Diamond Door)
	SS	SS	012-305004-OSS	1		1	1		1	1			1													Lower Vapor Barrier (Std Speed & SHC)
890455-001-OSS														1	1			1							Lower Vapor Barrier (UHC)	
9	001-301523-XXX	Two On on all models																					Ad Panel Retainer			
10	001-305109-XXX	One on all models with hose retractor																					Hose Retractor Cover			
11	000-127417-	Two On on all models																					Door Lock & Key			
12	000-128993-	Four On on all models																					Button Head Dart			
13	001-301208-	Two On on all models																					Door Latch			
14	001-305003-	All that use hose hanger or hose mast																					Upper Vapor Barrier (W/ HH Or HM)			
	002-305003-	All that use hose retractor																					Upper Vapor Barrier (W/ HR)			
15	001-301530-	Two On on all models																					Cross Support, Vapor Barrier			
16	011-129830-	Two On on all models																					Gasket, Head (9.25" Long)			
17	001-921115-	Two On on all models																					Rubber Grommet W/ Threaded Insert			
18	001-921117-	Two On on all models																					Screw, Door Hinge			
19	005-129818-	On on all models																					Gasket, Door			
20	001-921221-	Four on on all models																					Seal Screw, Dialface Panel			
21	000-154289-	1	1	2	2	2	2	2	2	2	2	2	2	2											Plastic Vent Cap, Vent Tube	
22	005-306362-	1	1	2	2	2	2	2	2	1	2	1	1	1	2	1	1	2	2	2	2	2	2	2	Nozzle Boot Assy, Lift-To-Start	
23	001-305027-	1	1	2	2	2	2	2	2						1	1	2	2	2	2	2	2	2	2	Hose Hanger (Black Plastic)	
23	000-037645-									1	2	1	1	1	2										Hose Hanger (Alum Casting)	
24	002-921176-	All that use hose mast																					Hose Mast (Includes Mounting Base, Spring And Top "Tee" Clamp Assy)			
25	001-921194-	All that use hose mast																					Hose Mast Extension			
26	001-921362-	All that use hose mast																					Reducing Sleeve, Hose Mast			
27	001-306042-	All that use hose mast																					Backing Plate, Hose Mast			
28	002-921175-500	All that use hose mast																					Black swivel			
29	890898-001	All that use hose mast with Vapor Recovery																					Clamp assy for VR (includes black swivel)			
30	001-301335-	All that use internal hose retractor																					Plastic Guide, Internal Retriever Cable			
31	001-921175-	All that use internal hose retractor																					Retaining Ring, Plastic Guide Int Retr			
32	001-921192-	All that use internal hose retractor																					Flat Washer, Plastic Guide Int Retr			
33	889551-001	All that use internal hose retractor																					Reel & Cable Assy, 8.5 Ft.			
34	001-301528-	All that use internal hose retractor																					Reel Bracket			
35	003-200033-	All that use internal hose retractor																					Hose Clamp Assy (Not Shown)			
36	001-921193-	All that use internal hose retractor																					Bolt, 1/2-12x1" (To Mount Hose Mast Ext)			
37	886446-001	As required																					Infrared Remote Controller (IRC)			

Item No.	Part No.	Models & Quantity Used													Description											
		Standard/Enhanced					SHC				UHC															
		3/GX201	3/G7207/R	3/GX202	3/G7242	3/GX207	3/G7247	3/GX203	3/G7208	3/GX221D	3/GX227D	3/GX227DIR	3/G7221P8	3/G7227P8R		3/GX228/LM	3/GX231	3/GX237/R	3/GX232	3/GX237	3/G7236/R	3/GX233	3/GX238	3/G2239/R	3/G7234/R	3/GX238/LM
38 - Dial Face Panels (DFP)	002-305029-XXX		1										1			1				1			1	1	1	DFP, Blank
	004-305002-XXX	2	1										1			1				2			2			DFP, Volume, 1 Disp
	005-301517-XXX			2	2		2													2	1	2			1	DFP, Volume, 2 Disp
	001-305002-XXX	2	1				2	2			2	2	1	2	2	1	2	1		2			2		1	DFP, Retail, 1 Disp, 1 Prod
	007-305029-XXX											2	1		2	1		1		2			2		1	DFP, Retail, 1 Disp, 1 Prod, Sat-In-Use
	001-305029-XXX	2	1				2	2			2	2	1	2	2	1	2	1		2			2		1	DFP, Retail, 1 Disp, 1 Prod, Keypad
	003-305029-XXX											2	1		2	1		1		2			2		1	DFP, Retail, 1 Disp, 1 Prod, Sat-In-Use, Keypad
	002-301517-XXX			2	2			2												2	1	2			1	DFP, Retail, 2 Disp, 2 Prod
	007-301517-XXX																				1				1	DFP, Retail, 2 Disp, 2 Prod, Sat-In-Use
	001-301517-XXX			2	2			2											2	1	2				1	DFP, Retail, 2 Disp, 2 Prod, Keypad
	006-301517-XXX																				1				1	DFP, Retail, 2 Disp, 2 Prod, Sat-In-Use, Keypad
	001-306746-XXX																								1	DFP, Retail, 1 Disp, 2 Prod
	002-306746-XXX																								1	DFP, Retail, 1 Disp, 2 Prod, Sat-In-Use
	003-306746-XXX																								1	DFP, Retail, 1 Disp, 2 Prod, Keypad
004-306746-XXX																								1	DFP, Retail, 1 Disp, 2 Prod, Sat-In-Use, Keypad	
39 - Select Dial Face Decals - Gallons (DFD)	890207-001-001	2	1			2	2		2	2	2	1	2	2	1	2	1		2			2			DFD, Volume, 1 Disp	
	890207-002-001			2	2		2												2	1	2			1	DFD, Volume, 2 Disp	
	001-048089-044	2	1			2	2		2	2	2	1	2	2	1	2	1		2			2		1	DFD, Retail, 1 Disp, 1 Prod	
	Consult Factory										2	1		2	1		1		2			2		1	DFD, Retail, 1 Disp, 1 Prod, Sat-In-Use	
	Consult Factory	2	1			2	2		2	2	2	1	2	2	1	2	1		2			2		1	DFD, Retail, 1 Disp, 1 Prod, Keypad	
	Consult Factory											2	1		2	1		1		2			2		1	DFD, Retail, 1 Disp, 1 Prod, Sat-In-Use, Keypad
	001-048092-039			2	2			2											2	1	2			1	DFD, Retail, 2 Disp, 2 Prod	
	Consult Factory																			1				1	DFD, Retail, 2 Disp, 2 Prod, Sat-In-Use	
	Consult Factory			2	2			2											2	1	2			1	DFD, Retail, 2 Disp, 2 Prod, Keypad	
	Consult Factory																			1				1	DFD, Retail, 2 Disp, 2 Prod, Sat-In-Use, Keypad	
39 - Select Dial Face Decals - Liters (DFD)	890207-001-002	2	1			2	2		2	2	2	1	2	2	1	2	1		2			2			DFD, Volume, 1 Disp	
	890207-002-002			2	2		2												2	1	2			1	DFD, Volume, 2 Disp	
	Consult Factory	2	1			2	2		2	2	2	1	2	2	1	2	1		2			2		1	DFD, Retail, 1 Disp, 1 Prod	
	Consult Factory											2	1		2	1		1		2			2		1	DFD, Retail, 1 Disp, 1 Prod, Sat-In-Use
	Consult Factory	2	1			2	2		2	2	2	1	2	2	1	2	1		2			2		1	DFD, Retail, 1 Disp, 1 Prod, Keypad	
	Consult Factory											2	1		2	1		1		2			2		1	DFD, Retail, 1 Disp, 1 Prod, Sat-In-Use, Keypad
	Consult Factory			2	2			2											2	1	2			1	DFD, Retail, 2 Disp, 2 Prod	
	Consult Factory																			1				1	DFD, Retail, 2 Disp, 2 Prod, Sat-In-Use	
	Consult Factory			2	2			2											2	1	2			1	DFD, Retail, 2 Disp, 2 Prod, Keypad	
Consult Factory																			1				1	DFD, Retail, 2 Disp, 2 Prod, Sat-In-Use, Keypad		
39 - Select Dial Face Decals - Liters (DFD)	890207-001-003	2	1			2	2		2	2	2	1	2	2	1	2	1		2			2			DFD, Volume, 1 Disp	
	890207-002-003			2	2		2												2	1	2			1	DFD, Volume, 2 Disp	
	Consult Factory	2	1			2	2		2	2	2	1	2	2	1	2	1		2			2		1	DFD, Retail, 1 Disp, 1 Prod	
	Consult Factory											2	1		2	1		1		2			2		1	DFD, Retail, 1 Disp, 1 Prod, Sat-In-Use
	Consult Factory	2	1			2	2		2	2	2	1	2	2	1	2	1		2			2		1	DFD, Retail, 1 Disp, 1 Prod, Keypad	
	Consult Factory											2	1		2	1		1		2			2		1	DFD, Retail, 1 Disp, 1 Prod, Sat-In-Use, Keypad
	Consult Factory			2	2			2											2	1	2			1	DFD, Retail, 2 Disp, 2 Prod	
	Consult Factory																			1				1	DFD, Retail, 2 Disp, 2 Prod, Sat-In-Use	
	Consult Factory			2	2			2											2	1	2			1	DFD, Retail, 2 Disp, 2 Prod, Keypad	
Consult Factory																			1				1	DFD, Retail, 2 Disp, 2 Prod, Sat-In-Use, Keypad		

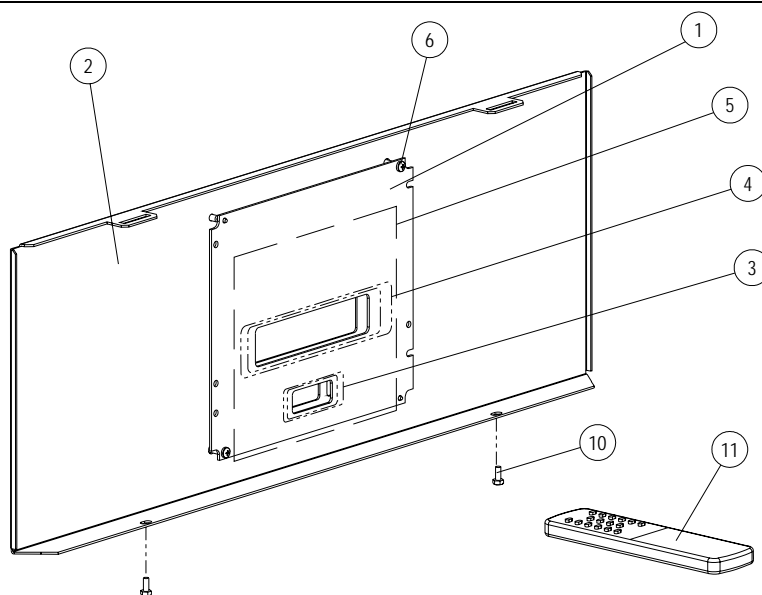
## Housing, Exterior Trim, & Hose Handling

Item No.	Part No.	Models & Quantity Used																		Description						
		Standard/Enhanced						SHC						UHC												
		3/GX201	3/G7207/R	3/GX202	3/G7242	3/GX207	3/G7247	3/GX203	3/G7208	3/GX221D	3/GX227D	3/GX227D/R	3/G7221P/8	3/G7227P/8R	3/GX228/LM	3/GX231	3/GX237/R	3/GX232	3/GX237		3/G7236/R	3/GX233	3/GX238	3/G2239/R	3/G7234/R	3/GX238/LM
39 - Century Dial Face decals - Gallons (DFD)	001-048089-007	2				2			2	2	1	2	2	1	2	1		2			2				1	DFD, Retail, 1 Disp, 1 Prod
	001-048097-002									2	1		2	1		1		2			2				1	DFD, Retail, 1 Disp, 1 Prod, Sat-In-Use
	001-048090-005	2				2			2	2	1	2	2	1	2	1		2			2				1	DFD, Retail, 1 Disp, 1 Prod, Keypad
	001-048096-001									2	1		2	1		1		2			2				1	DFD, Retail, 1 Disp, 1 Prod, Sat-In-Use, Keypad
	001-048092-005			2				2										2			2					DFD, Retail, 2 Disp, 2 Prod
	001-048091-003			2				2										2			2					DFD, Retail, 2 Disp, 2 Prod, Keypad
	891186-001-001																							1		DFD, Retail, 1 Disp, 2 Prod
	891186-002-001																							1		DFD, Retail, 1 Disp, 2 Prod, Sat-In-Use
	891186-001-001																							1		DFD, Retail, 1 Disp, 2 Prod, Keypad
	891186-001-001																							1		DFD, Retail, 1 Disp, 2 Prod, Sat-In-Use, Keypad

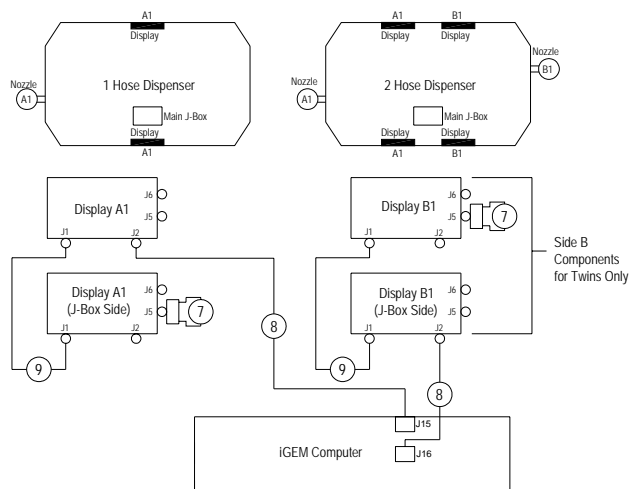
## 40 -Product ID Labels

Product	Single Product (Blue)	Single Product (Black)	Twin Products (Blue)	Twin Products (Black)
(BLANK)	001-048087-182	001-048087-183	001-048088-113	001-048088-114
DIESEL	001-048087-184	001-048087-185	001-048088-115	001-048088-116
DIESEL #1	001-048087-186	001-048087-187	001-048088-117	001-048088-118
DIESEL #2	001-048087-188	001-048087-189	001-048088-119	001-048088-120
OFF HWY DIESEL	001-048087-190	001-048087-191	001-048088-121	001-048088-122
OFF ROAD DIESEL	001-048087-192	001-048087-193	001-048088-123	001-048088-124
ON ROAD DIESEL	001-048087-194	001-048087-195	001-048088-125	001-048088-126
RED DIESEL	001-048087-196	001-048087-197	001-048088-127	001-048088-128
GASOLINE	001-048087-198	001-048087-199	001-048088-129	001-048088-130
REGULAR	001-048087-200	001-048087-201	001-048088-131	001-048088-132
UNLEADED	001-048087-202	001-048087-203	001-048088-133	001-048088-134
REGULAR UNLEADED	001-048087-204	001-048087-205	001-048088-135	001-048088-136
SUPER UNLEADED	001-048087-206	001-048087-207	001-048088-137	001-048088-138
UNLEADED PLUS	001-048087-208	001-048087-209	001-048088-139	001-048088-140
PREMIUM UNLEADED	001-048087-210	001-048087-211	001-048088-141	001-048088-142
KEROSENE	001-048087-212	001-048087-213	001-048088-143	001-048088-144
RACING GASOLINE	001-048087-214	001-048087-215	001-048088-145	001-048088-146
AVGAS	001-048087-216	001-048087-217	001-048088-147	001-048088-148
JET FUEL	001-048087-218	001-048087-219	001-048088-149	001-048088-150
B20 BODIESEL	001-048087-252	001-048087-253	001-048088-167	001-048088-168
BODIESEL	001-048087-282	001-048087-283	001-048088-186	001-048088-187

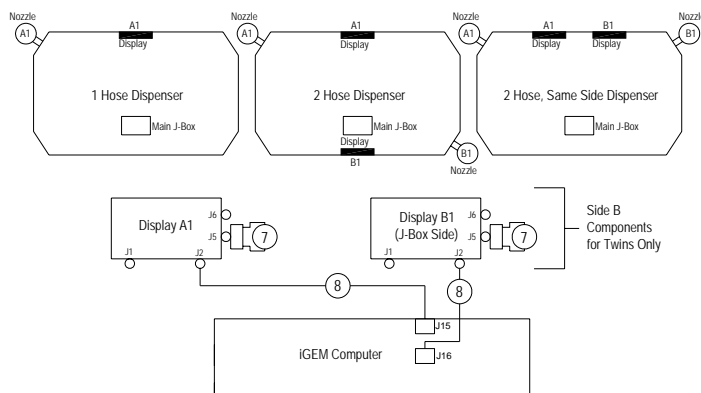
*Page intentionally left blank*



### Display Cabling, Island Oriented Nozzles



### Display Cabling, Lane Oriented Nozzles



Item No.	Part No.	Description	Select (3/G7)				Century (3/G2)			
			Std & Price	Price & SIU	Price & ATC	Price & ATC & SIU	Std	SIU	ATC	ATC & SIU
1	WM001845-0002	Display Board, Single Price display W/O ATC	X				X			
	WM001845-0001	Display Board, Three Price Displays W/O ATC		X				X		
	WM003714-001	Display Board, Single Price Display W/ ATC			X				X	
	WM003714-002	Display Board, Three Price Display W/ ATC				X				X
2	Dial Face Panel & Decal (See Housing Parts)									
3	001-305017	Gasket, Status/Price Per Unit Display								
4	001-305016	Gasket, Volume and Total Sale Display								
5	001-305023	Display Glass (1 Per Display)								
6	001-921351-	Screw, M4x8 (2 Per Display)								
7	001-305740-	Jumper, Display J5 (Stand Alone Oper)								
8	886486-001	Cable Ay,10pin Rndjkt,36" (Display To iGEM)								
9	886486-005	Cable Ay,10pin Rndjkt,60" (Display To Display)								
10	001-921221	Screw, M4 X 10mm Hexhd (Mount Bezel)								
11	886446-001	Remote Controller								

Std – Standard Dispenser

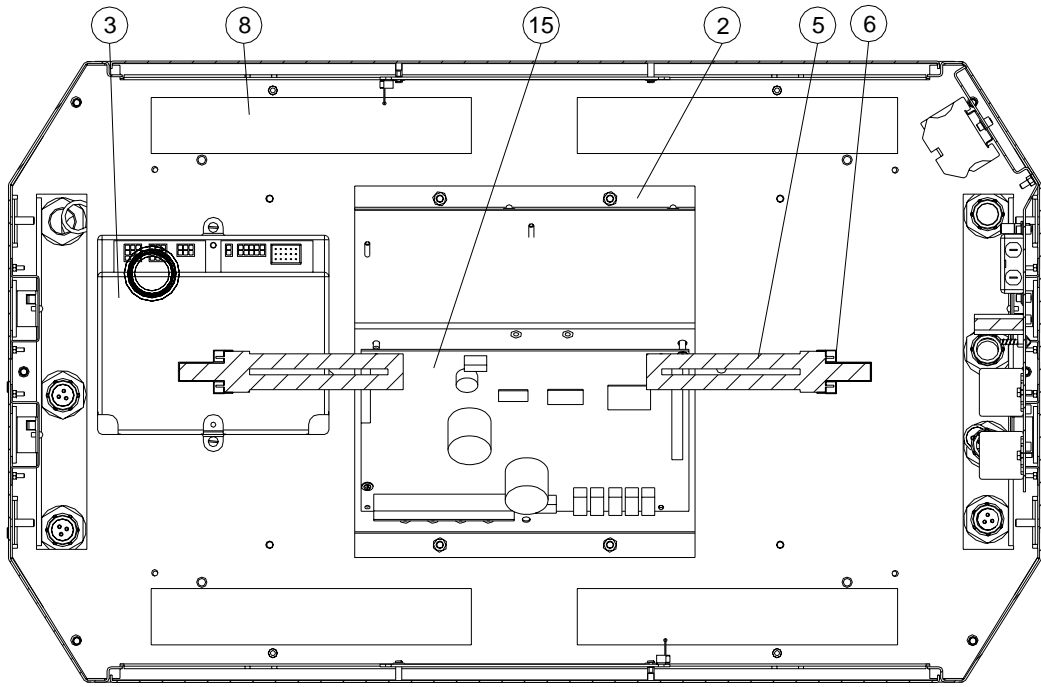
Price – Optional on Select units, standard on Century models.

SIU – Satellite-In-Use Indicator (Used only with Price Displays)

ATC – Automatic Temperature Compensation

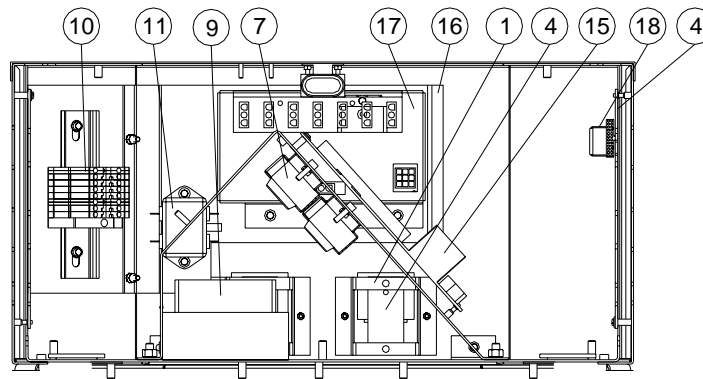
Note: Parts for display panel are purchased separately. Apply clear silicone around outside of display gaskets to adhere glass to dial face.

### Standard, Enhanced and Super-High Capacity Models

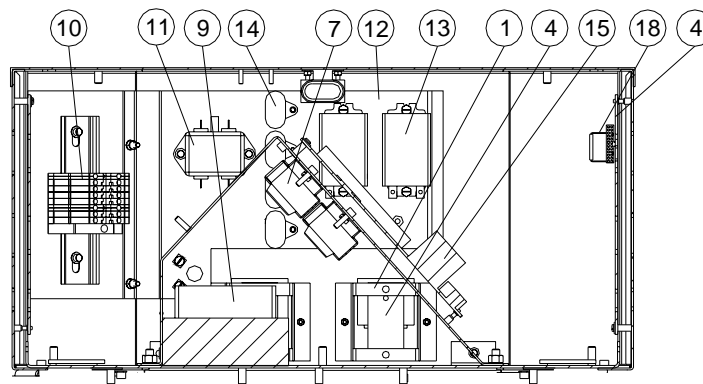


Top View

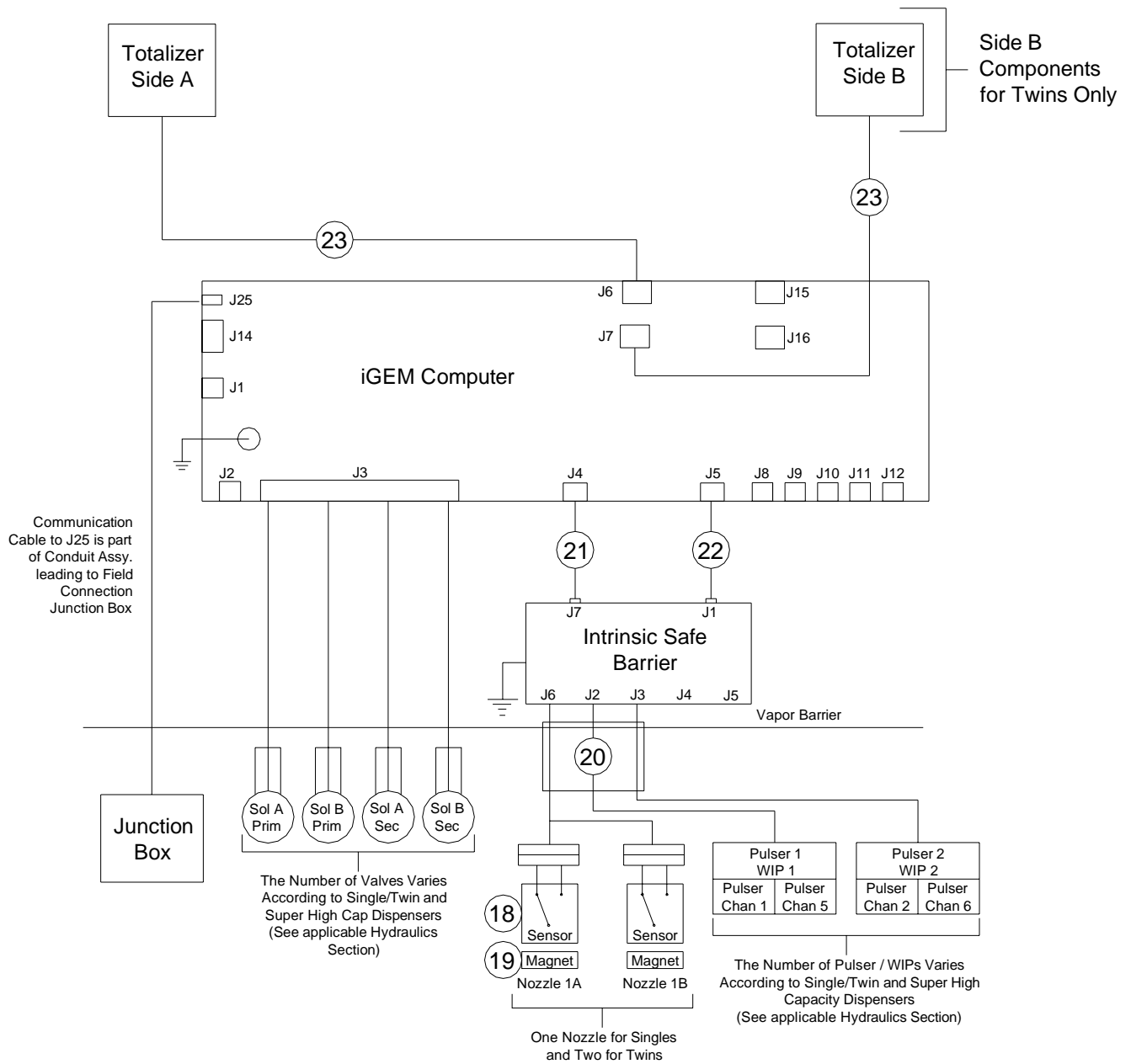
Remote  
Dispenser  
(Cut-away side view)



Suction  
Pump  
(Cut-away side view)





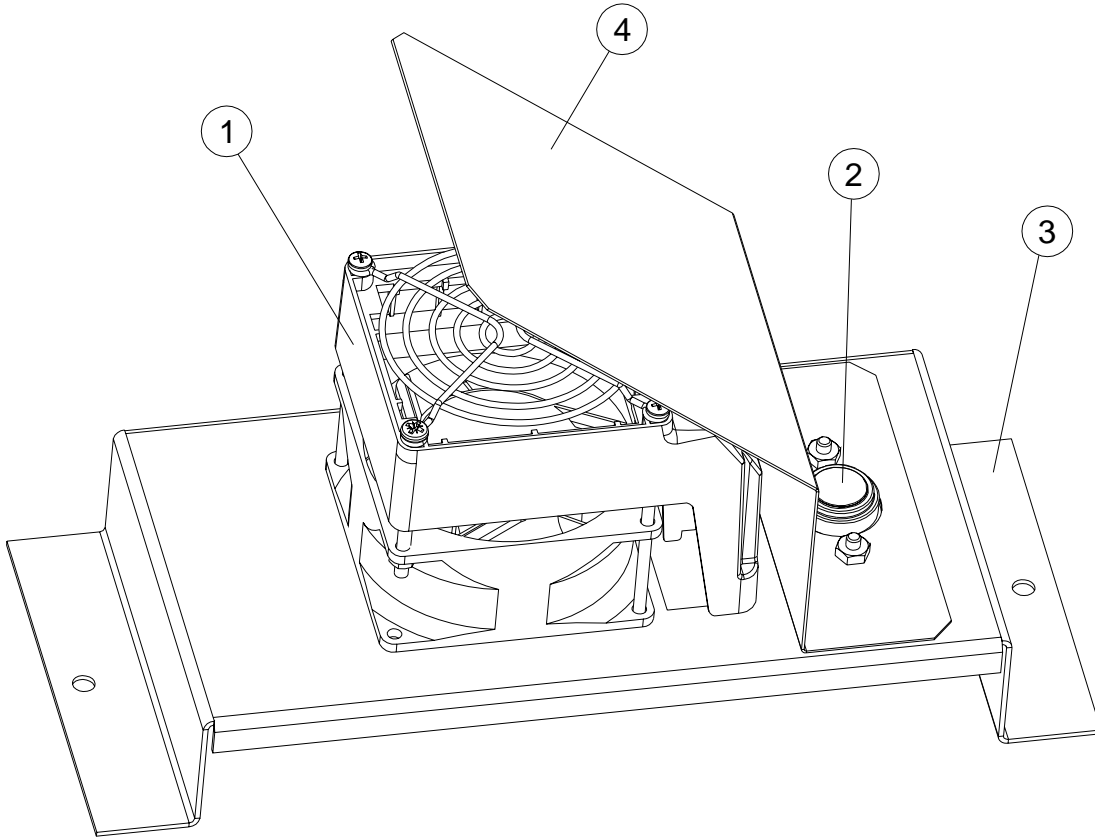


Note: See Part Number Table on Next Page.

### Standard, Enhanced and Super-High Capacity Models

Item No.	Part No.	Description
1	001-301512-	Totalizer Support
2	004-305001-	CPU Support
3	005-300825-	ISB Assy, iGEM W/O ATC
	006-300825-	ISB Assy, iGEM W/ ATC
4	883540-002	PCB Assy, Totalizer 24v
5	4060703	Lamp, Fluorescent Biaxial
6	001-921244-	Fluorescent Lamp Holder
7	4060802	Fluorescent Ballast, 120v
8	006-201926-	Glass For Ad Panel
9	887334-002	Power Supply, 24v
10	003-305146-	Terminal Block Assy.
11	001-921245-	Line Filter
12	001-305009-	Support Plate, Relay (Suction Pumps)
13	001-921267-	Relay (Suction Pumps)
14	001-301251-HRN	Motor Relay Harness & Protector (Suction Pumps)
15	WM001908-0004	iGEM PCB, Select Models
	WM001908-0003	iGEM PCB, Century Models
16	003-305009-	Support Plate, Remote Interface (Remote Disp)
17	887225-001	PCB Assy, iGEM Pump Relay (Remote Dispensers)
18	001-201917-	Cable Assy, Nozzle Proximity Sensor
19	001-921023-	Magnet, Nozzle Switch
20	001-305216-HRN	Pulser & Boot Switch Harness, Non-ATC (All Models w/ 1 iMeter)
	002-305216-HRN	Pulser & Boot Switch Harness, Non-ATC (All Models w/ 2 iMeters)
	889534-002	Pulser & Boot Switch Harness, ATC (All Models w/ ATC, 1 or 2 iMeters)
21	887339-001	Cable Assy., iGEM ISB To CPU, Nozzle*
22	887001-001	Cable Assy., iGEM ISB To CPU, WIP
23	887596-001	Cable Assy, EM Count, 1P (TOT TO iGEM)

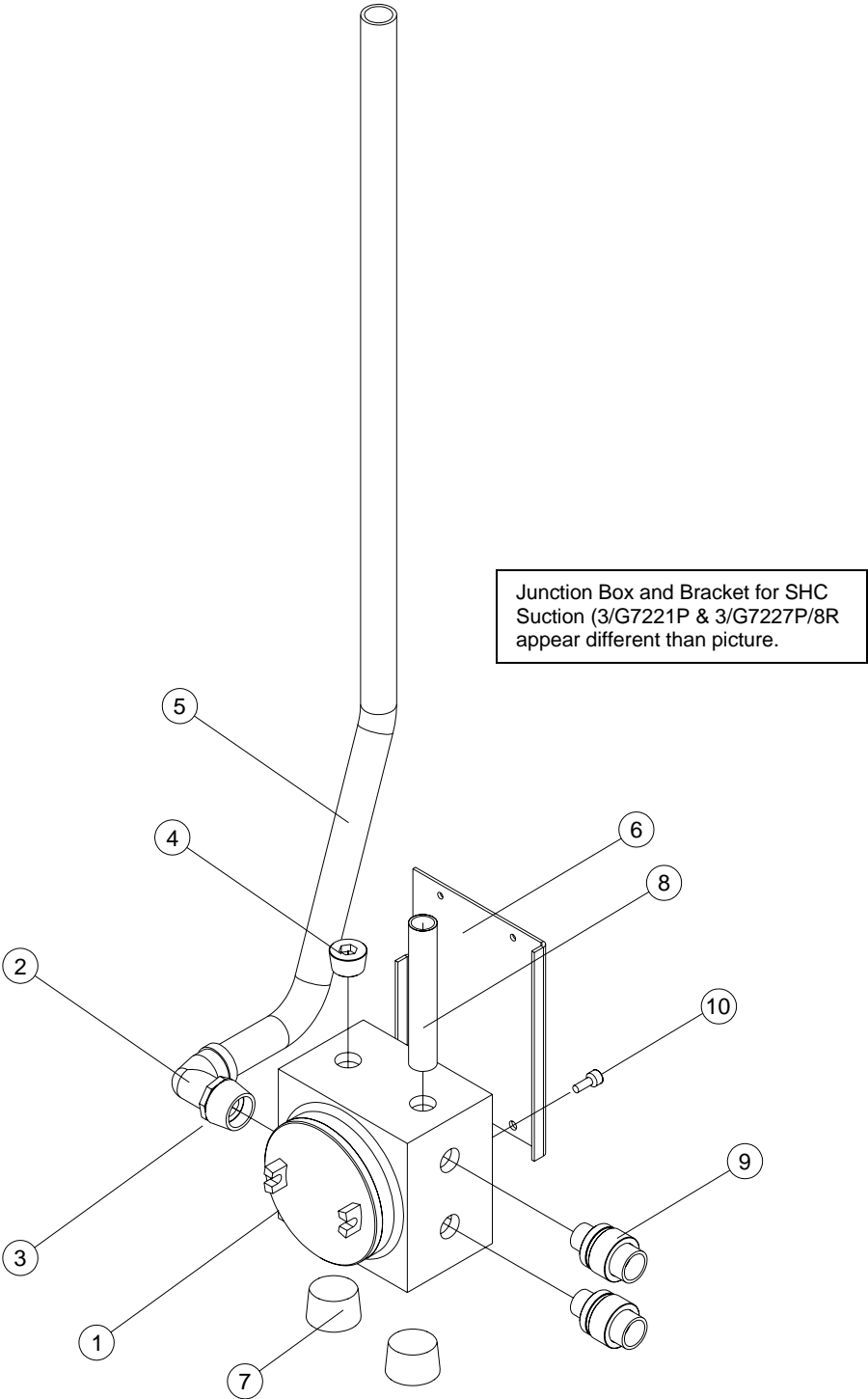
## Heater and Fan Assembly Option



Item No.	Part No.	Description
1	891039-001	Heater/Fan Assy. (Heater/Fan & cable)
2	004-305001-	Thermostat, 10C/27C
3	891842-001	Bracket, Heater/Fan
4	891823-001	Deflector, Heater/Fan
5	883540-002	Cable, Heater/Fan, Suction (Not shown)

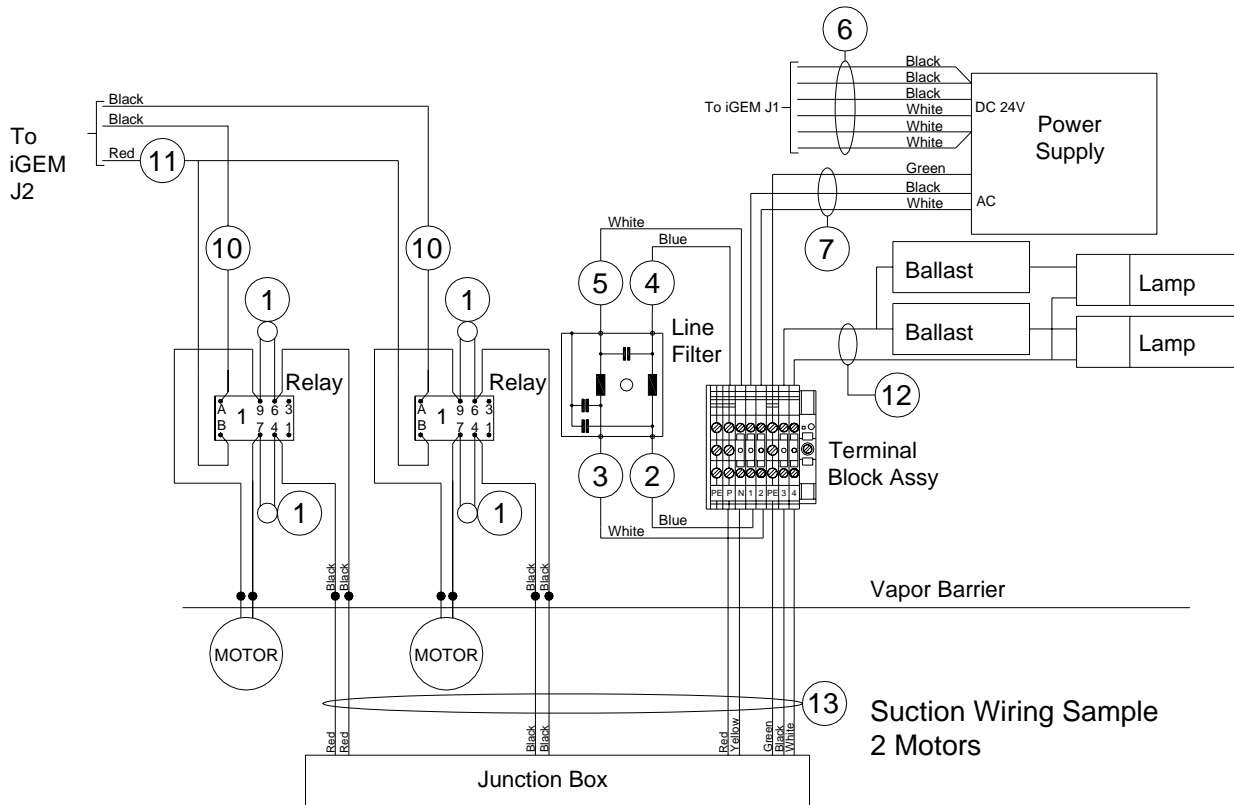
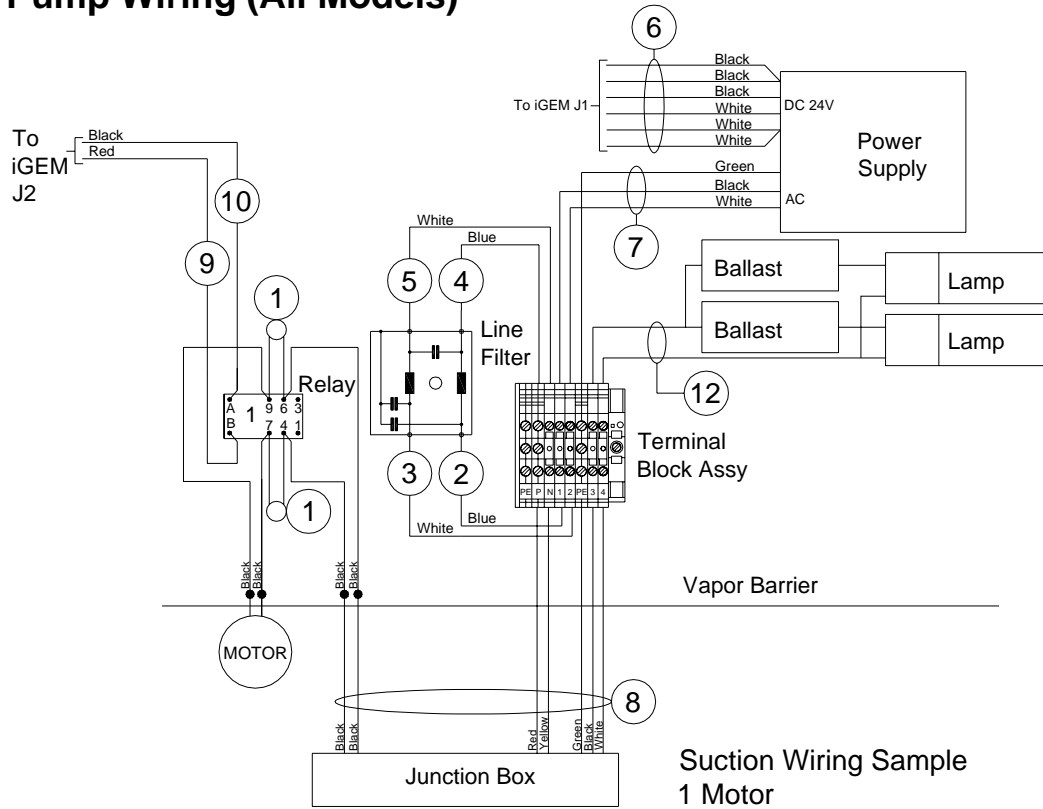
Heater Field Retrofit Kit	
Part No.	Description
891816-001	Kit, Heater Fan Assy., GC/Select

# AC Junction Box Components - Standard, Enhanced and Super-High Capacity Models



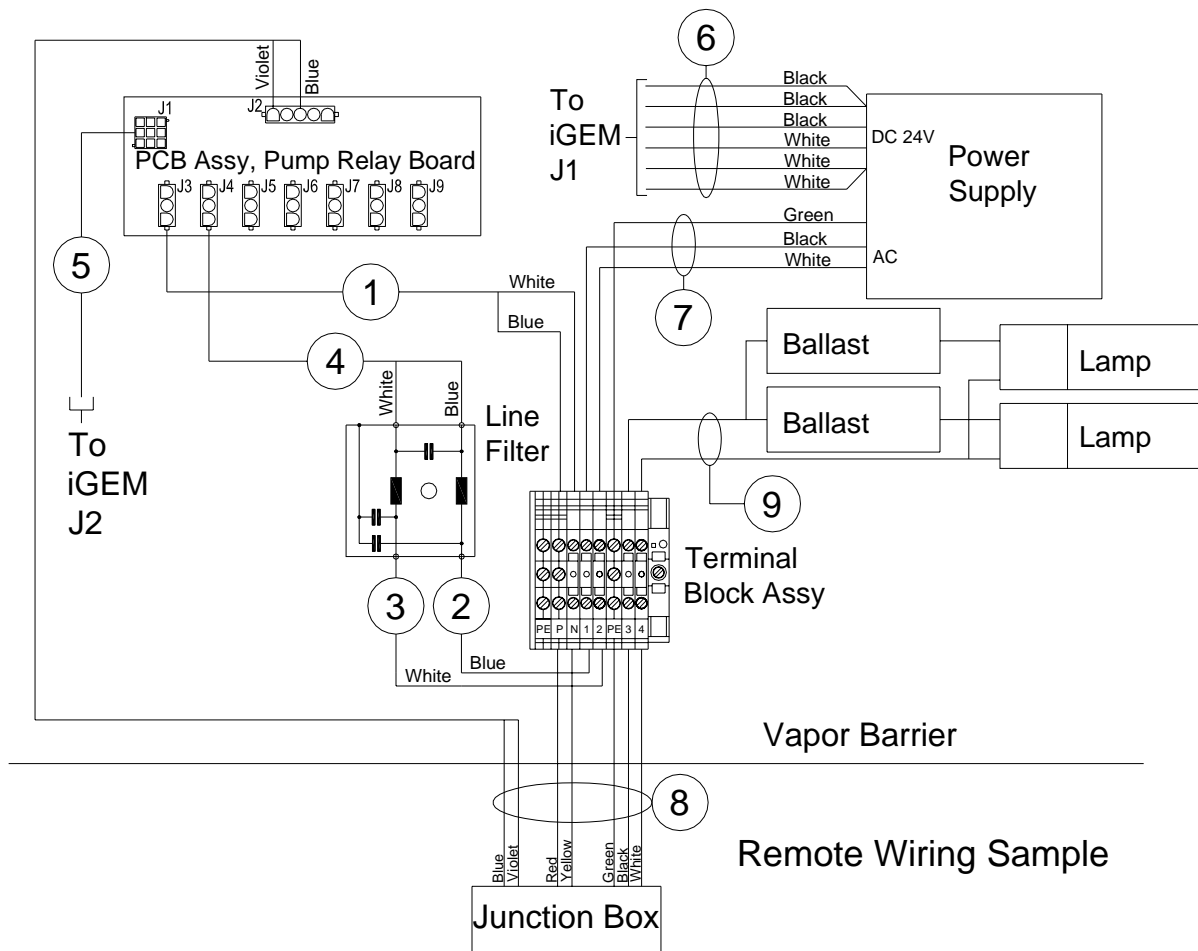
Item No.	Part No.	Models & Quantity Used																Description				
		Standard/Enhanced												SHC								
		3/G7201D	3/G2202D	3/GX207D	3/G7242D	3/GX247D	3/GX203D	3/G7208D	3/GX201P	3/GX202P	3/GX207P	3/GX203P	3/G7208P	3/GX221D	3/GX227D/R	3/GX227D	3/GX227D/M		3/GX227D/MR	3/G7221P/8	3/G7227P/8R	3/GX228D/LM
1	001-201953-	1	1	1	1	1	1	1	1	1	1	1	1	1	1	1	1					Junction Box, Field Connections
	003-201953-																				1	Junction Box, Field Connections
	005-306177-																		1	1		Junction Box, Field Connections
2	004-124856-	1	1	1	1	1	1	1	1	1	1	1	1	1	1	1	1	1	1	1	1	Elbow, 90 Deg
3	000-904260-	1	1	1	1	1	1	1	1	1	1	1	1	1	1	1	1	1	1	1	1	Bushing 1" X 3/4" Reducing
4	000-508772-	1	1	1	1	1	1	1	3	3	3	3	3	1	1	1	2	1			2	Plug, 3/4" NPT
	000-508919-																		2	2		Plug, 1/2" NPT
5	001-305125-						1	1					1	1								Conduit Assy, 2 Product Remote (Except Masters)
	002-305125-	1	1	1	1	1								1								Conduit Assy, 1 Product Remote (Except Masters)
	003-305125-																	1			1	Conduit Assy, 3/GX227D/GJMR & 3/GX228D/GLM
	004-305125-																1					Conduit Assy, 3/GX227D/GJLM
	002-305124-											1	1							1	1	Conduit Assy, 2 Motor Suction
	004-305124-								1	1	1											
6	001-305936-							1	1	1	1	1										Bracket, J-Box Support, Pump
	001-305117-	1	1	1	1	1	1						1	1	1	1	1				1	Bracket, J-Box Support, Remote
	892259-001																			1	1	Bracket, J-Box Support, SHC Pump
7	000-509655-	2	2	2	2	2	2						2	2	2				2	2	Plug, 1" NPT	
8	001-305582-																				1	Conduit W/ ISB, Sat
9	000-122265-																				2	Union, 1/2" Conduit, M/F
10	000-507968-	2	2	2	2	2	2	2	2	2	2	2	2	2	2	2	2	2	2	2	2	Screw, 1/4-20 X 3/8

### Suction Pump Wiring (All Models)



Item No.	Part No.	Description
1	---	Motor Relay Harness & Protector ( <i>See Elec. Head Components</i> )
2	000-173726-	Filter Cable/Terminal Strip-Blue
3	000-173725-	Filter Cable/Terminal Strip-White
4	000-171379-	Filter Cable/Terminal Strip-Blue
5	000-171381-	Filter Cable/Terminal Strip-White
6	890320-001	Power Cable, DC For Select
	887338-002	Power Cable, DC For Century
7	001-305643-	Power Supply Cable, AC Feed
8	004-305124-	Conduit Assy., 1 Motor Suction
9	001-305482-	Cable, Relay Control, Red Single
10	001-305481-	Cable, Relay Control, Black
11	001-305483-	Cable, Relay Control, Red Twin
12	005-305098-	Light Cable Assy.
13	002-305124-	Conduit Assy., 2 Motor Suction

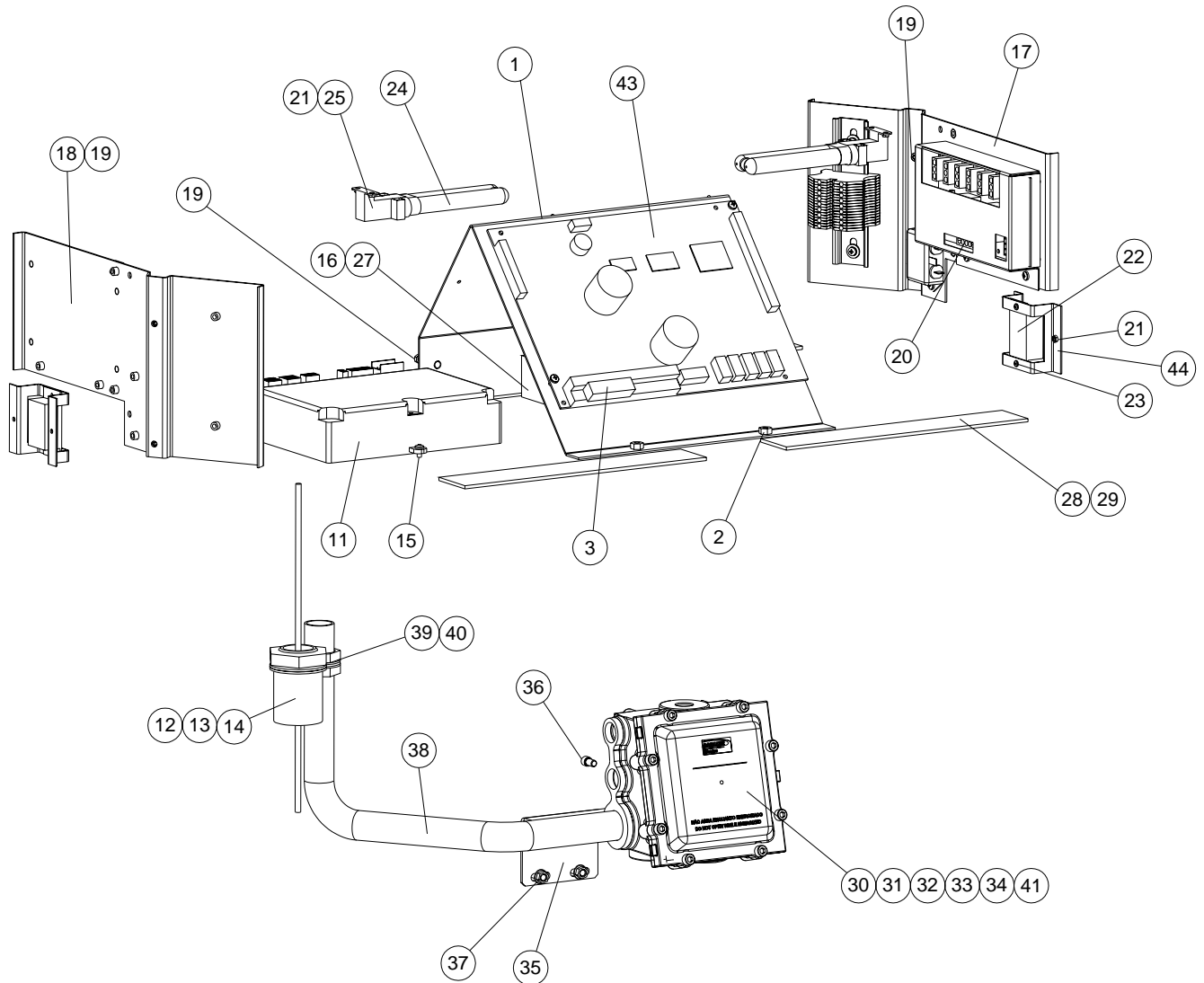
## Remote Dispenser Wiring (All Models)





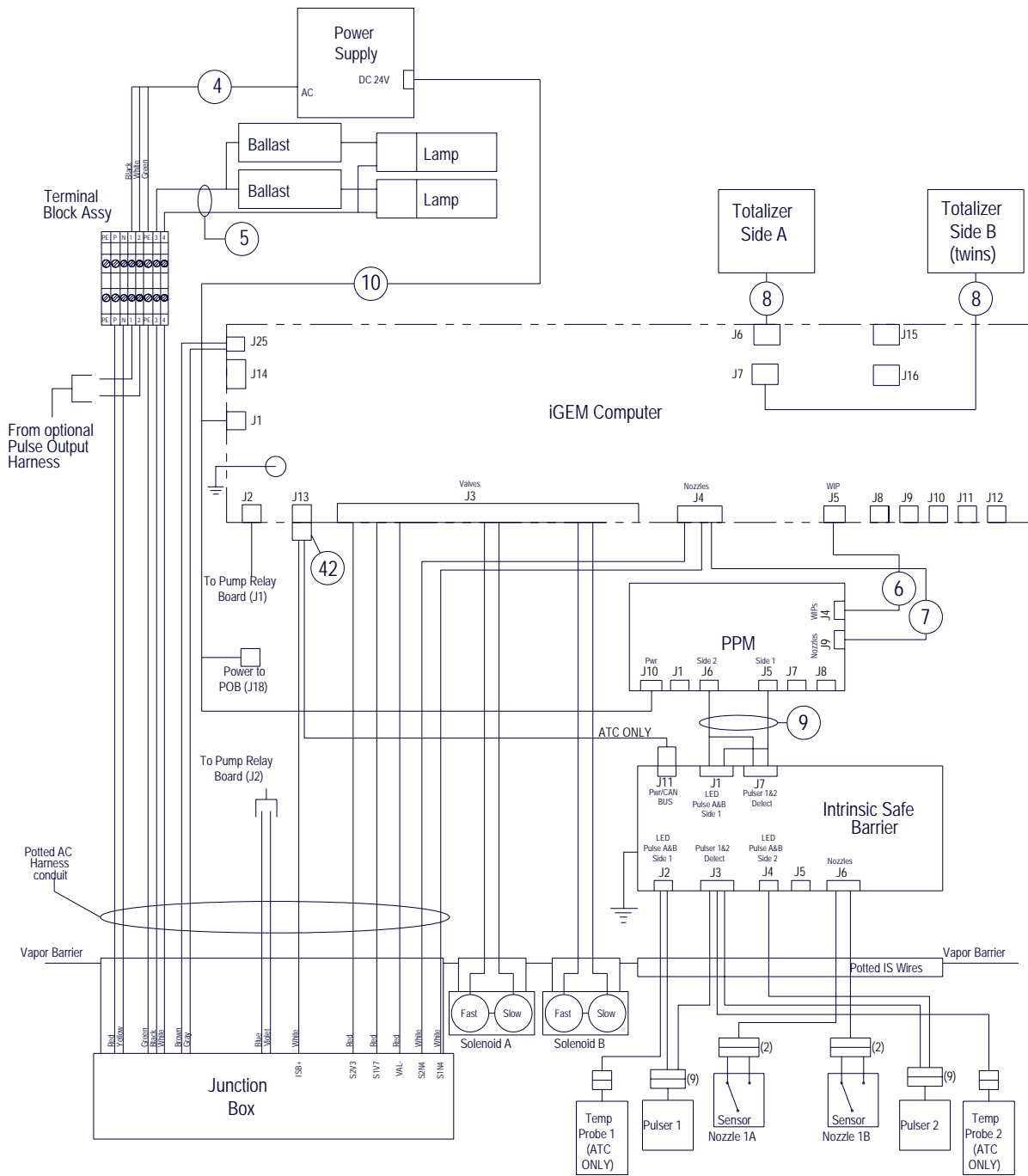
Item No.	Part No.	Description
1	002-305493-	Cable Assy., iGEM Relay To Terminal
2	000-173726-	Filter Cable/Terminal Strip-Blue
3	000-173725-	Filter Cable/Terminal Strip-White
4	002-305494-	Cable Assy., iGEM Relay To Power Filter
5	887340-001	Cable Assy, AC/Relay To Conduit
6	890320-001	Power Cable, DC For Select
	887338-002	Power Cable, DC For Century
7	001-305643-	Power Supply Cable, AC Feed
8	002-305125-	Conduit Assy., 1 Product Remote (Except For Master Units)
	001-305125-	Conduit Assy., 2 Product Remote (Except For Master Units)
	003-305125-	Conduit Assy., 3/GX227D/GJMR & 3/GX228D/GJLM
	004-305125-	Conduit Assy., 3/GX227D/GJM
9	005-305098-	Light Cable Assy

## Ultra-High Capacity Models



Items not shown include:

Item 26 & 27 (Lamp ballast & mounting screws)  
Mounted to underside of CPU bracket

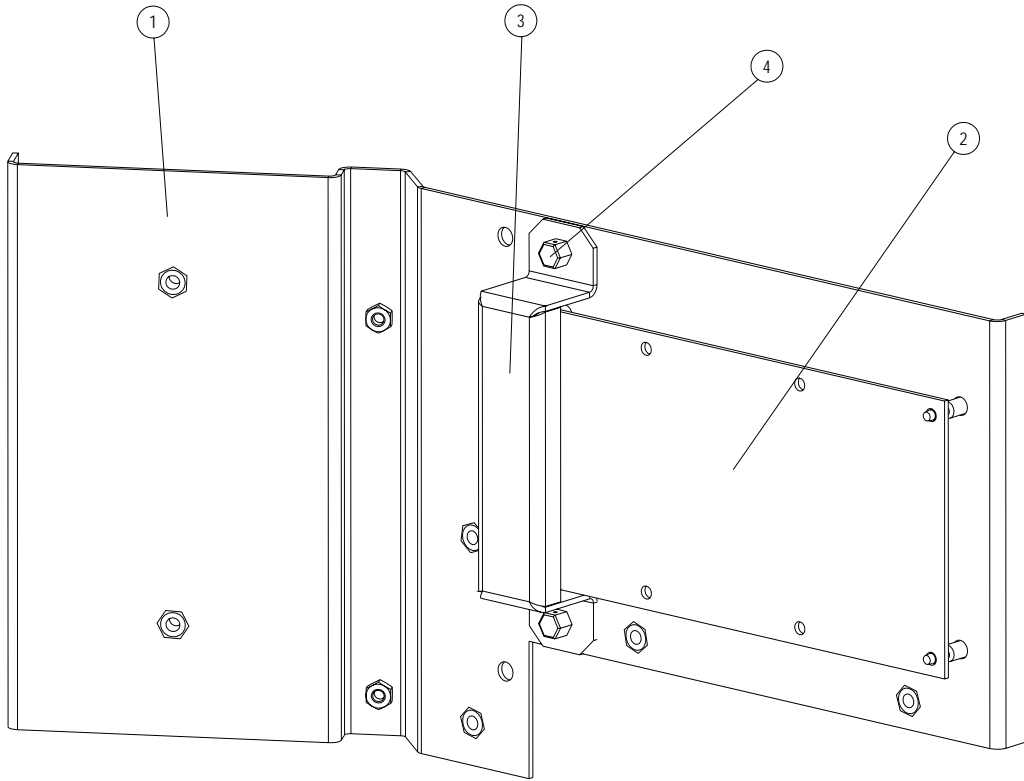


Note: See Part Number Table on Next Page.

## Ultra-High Capacity Models

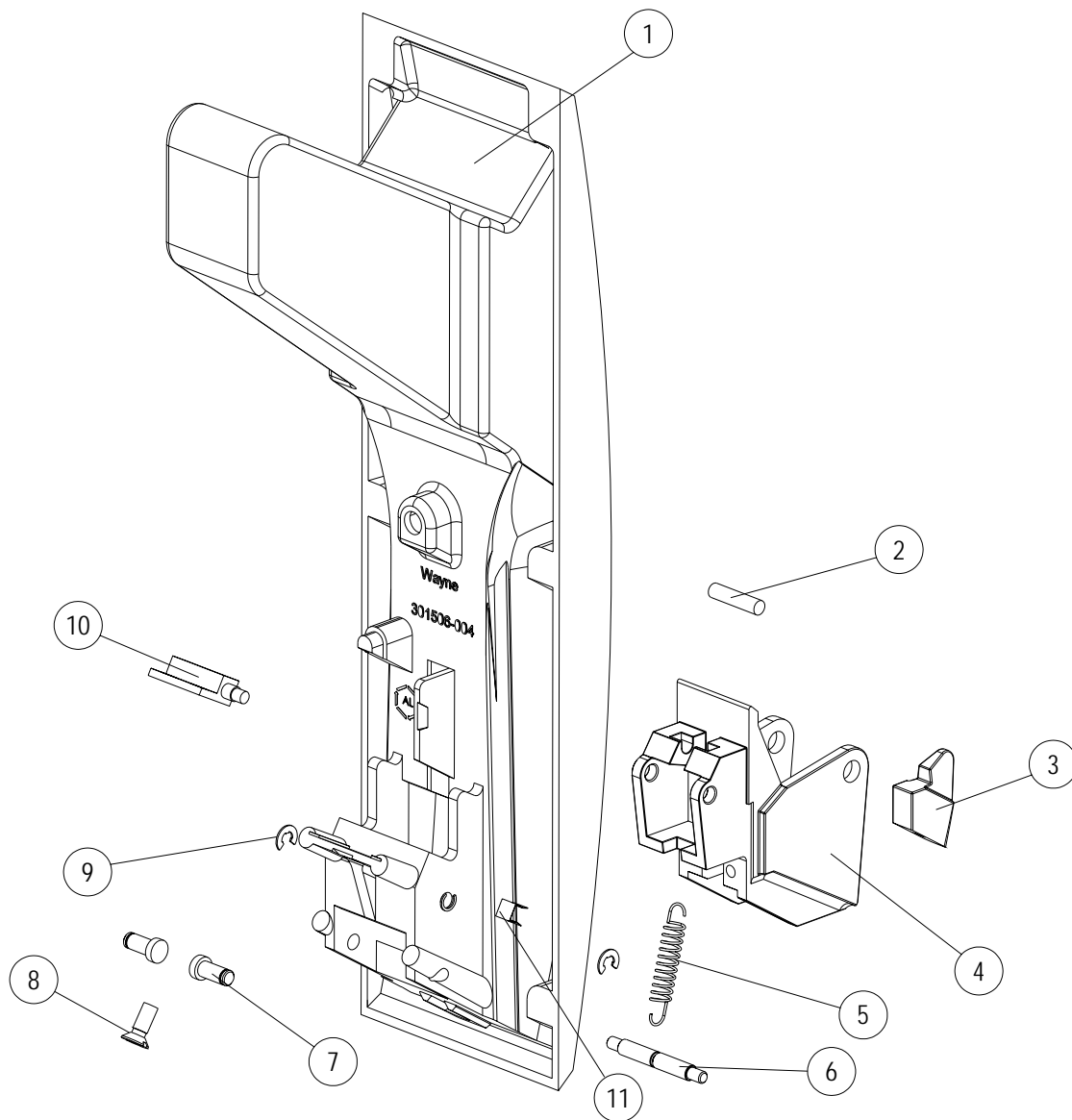
Item No.	Part No.	Description
1	004-305001-	CPU Support Bracket
2	882666-014	Nut M6 Keps (CPU Brkt Mtg)
3	001-921277-	20 Position Connector
4	001-305643-	Cable Assy, Power Supply (Pwr Sup To Term Blk)
5	005-305098-	Cable Assy, 2 Lamp Ballast (Lampholder To Term Blk)
6	887001-001	Cable Assy, 16-16 Rnd Jack (iGEM (J5) TO PPM J4)
7	890679-001	Cable Assy, iGEM PPM,NOZ (iGEM (J4) TO PPM J9) For All Models (Except 3/G7239D/R)
	890679-002	Cable Assy, iGEM PPM,NOZ, 9/R (iGEM (J4) TO PPM J9) For 3/G7239D/R Only
8	887596-001	Cable Assy, EM Count,1P (TOT TO iGEM)
9	891090-001	Cable Assy, PPM/ISB, Pulse PPM (J6,J5) To ISB (J1,J7)
10	890925-001	Power Cable, UHC iGEM/POB/PPM
11	005-300825-	ISB,Assy iGEM, Non-ATC (All Models W/O ATC)
	006-300825-	ISB,Assy iGEM, ATC (All Models W/ ATC)
12	890968-001	Potted IS Harness, UHC Noz/Plsr, Non-ATC
	889534-003	Potted IS Harness, UHC Noz/Plsr, W/ ATC
13	004-129498-	Locknut,Conduit (1 Per ISB)
14	005-126817-	Washer,Flat (2 Per ISB)
15	001-921351-	Screw, M4x8 (2 iGEM, 2 ISB)
16	887334-002	Pwr Supply,24v 0.13-6.25a
17	887225-001	PCB Assy, iGEM Pump Relay (Remote Dispensers)
18	See Pulse Processing Module	Pulse Processing Module Assy
19	882666-013	Nut M4 Keps
20	4009104	5 Position Connector (For 2 Wires To Relay Board)
21	882666-003	Nut M3 Keps (2 Per Tot, 4 Lamps)
22	883540-002	PCB Assy,Totalizer 24v
23	000-918915-	Screw,#4-24 X 3/8 PHP HD (2 Per Tot)
24	4060703	Lamp Fluorescent Biaxial
25	001-921244-	Fluorescent Lamp Holder
26	4060802	Fluorescent Ballast,120v
	4060804	Fluorescent Ballast,220v-24
27	6005910	Screw, 6-32x1/4 Phesphstpl (2 Pwr Sup, 4 Lamp Blist)
28	006-201926-	Glass
29	004-301253-	Tape,Gasket Vap/Ad Pnl
30	005-306177-	Jbox, UHC
31	001-306180-	Jbox Cover
32	000-509655-	Plug, 1"NPT (For Bottom Of Jbox)
33	001-921551-	Screw, M6 X 8MM Ground Green
34	001-921053-	Screw, (Jbox Cover)
35	890454-001	Bracket, Jbox, UHC
36	001-921219	Screw, Jbox Mtg
37	000-918513	Screw, 1/4" X 5/8" Slgtap
38	890630-001	AC Conduit Assy, UHC, Potted (Everything Except 3/G2239D/R)
	890630-002	AC Conduit Assy, UHC, Potted (3/G2239D/R Only)
39	002-129498-	Lock N Conduit (2 Per AC Cond)
40	006-126817-	Washer 1.065 Id (2 Per AC Cond)
41	000-508919-	Plug, 1/2"NPT, Hex Socket
42	891203-001	Can Cable, UHC (All Models With ATC)
	882302-004	Connector, 4 Position (All Models Without ATC)
43	WM001908-0004	iGEM PCB, Select Models
	WM001908-0003	iGEM PCB, Century Models
44	001-301512-	Totalizer Bracket

**Pulse Processing Module (Ultra-High Capacity Models Only)**



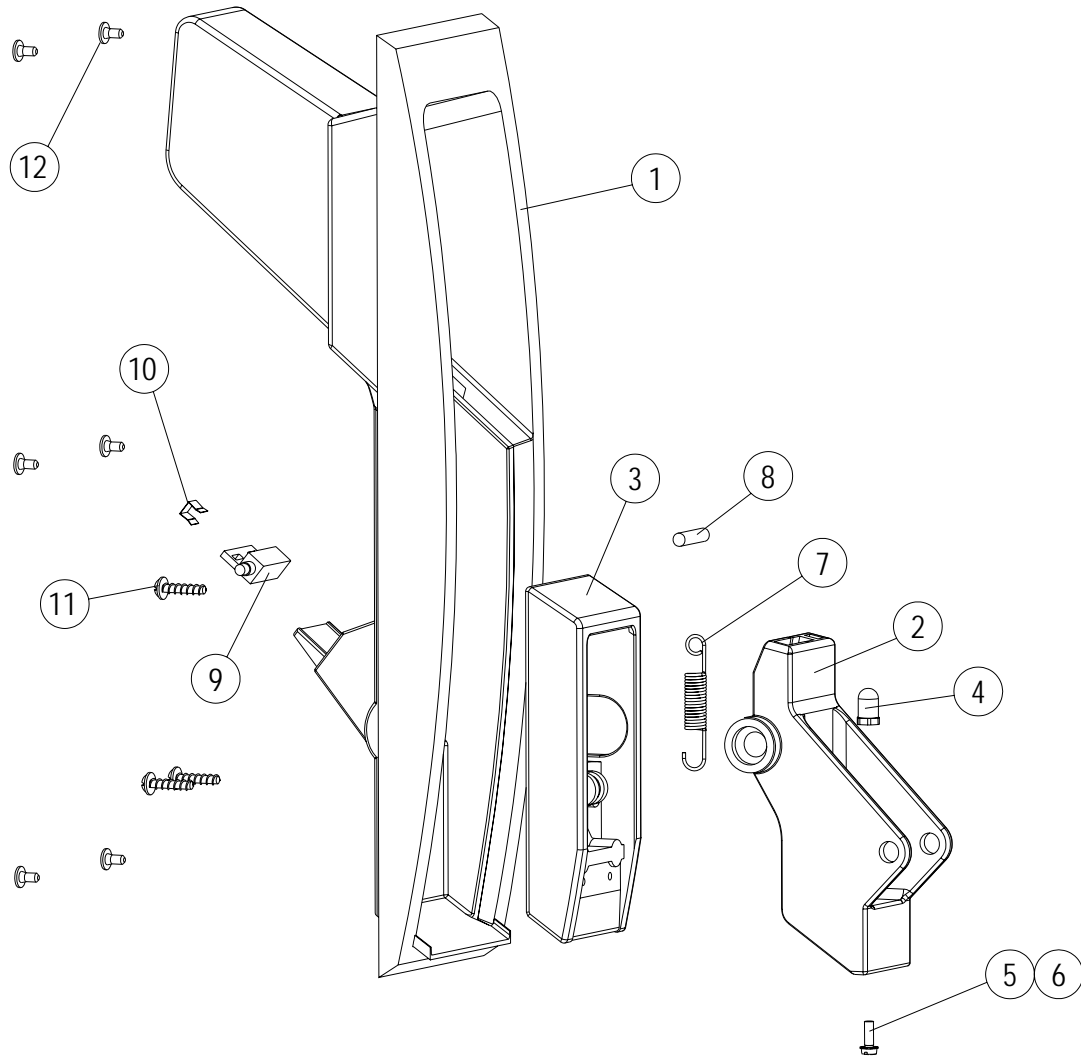
Item No.	Part No.	Description
1	003-305009	Bracket
2	890857-001	PPM Board Assy, UHC, Programmed
3	890639-001	Seal Bracket, PPM, UHC
4	001-921221-	Screw, Seal Type

## Nozzle Boot, Metal



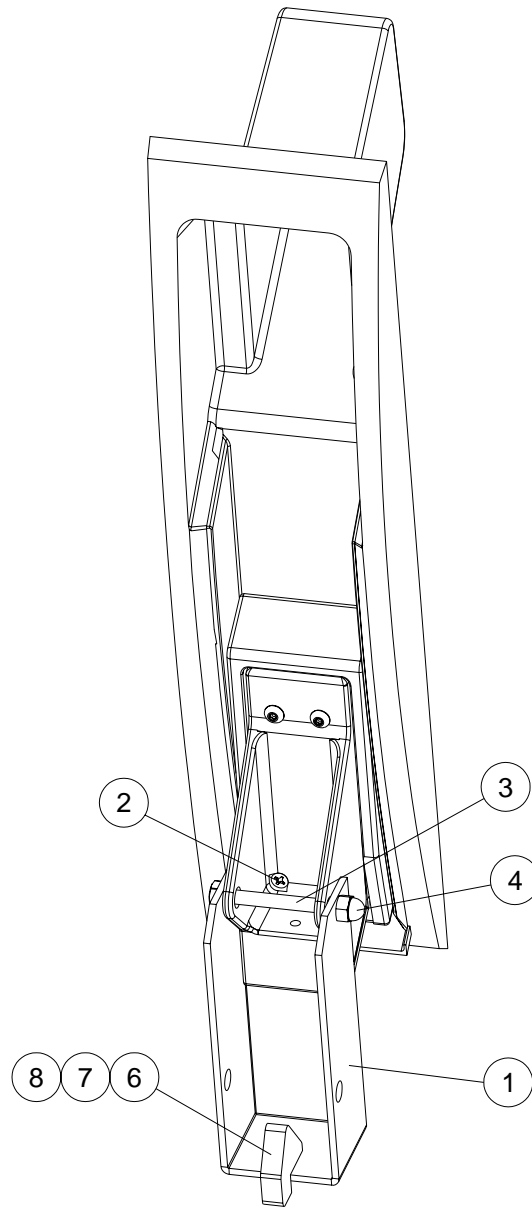
Aluminum Nozzle Boot Assembly, 002-301509-		
Item No.	Part No.	Description
1	006-301506-	Nozzle Boot, Aluminum
2	001-921023-	Magnet
3	001-301504-	Nozzle Support
4	001-301505-	Lever
5	001-301423-	Spring
6	001-301501-	Shaft
7	001-301500-	Pin
8	888939-001	Screw, M5-0.8 X 12mm Flmsphsty
9	000-921191-	E-Ring, 5mm
10	001-201917-	Switch, Sensor-Proximity
11	000-918913-	Retainer, U-Type

Nozzle Boot, Plastic



Plastic Nozzle Boot Assembly, 005-306362-		
Item No.	Part No.	Description
1	001-306347-	Nozzle Boot, Plastic
2	001-306395-	Lever
3	001-306399-	Guide, Filler
4	001-306434-	Nozzle Support Pin
5	001-921351-	Screw, M4 X 8mm
6	000-916736-	Lock Washer, #8
7	001-129953-	Spring
8	000-918919-	Magnet
9	001-201917-	Switch, Sensor-Proximity
10	000-918913-	Retainer, U-Type
11	000-918104-	Plascrow, #10-34
12	001-921313-	Screw, M4 X 8mm Flange Head

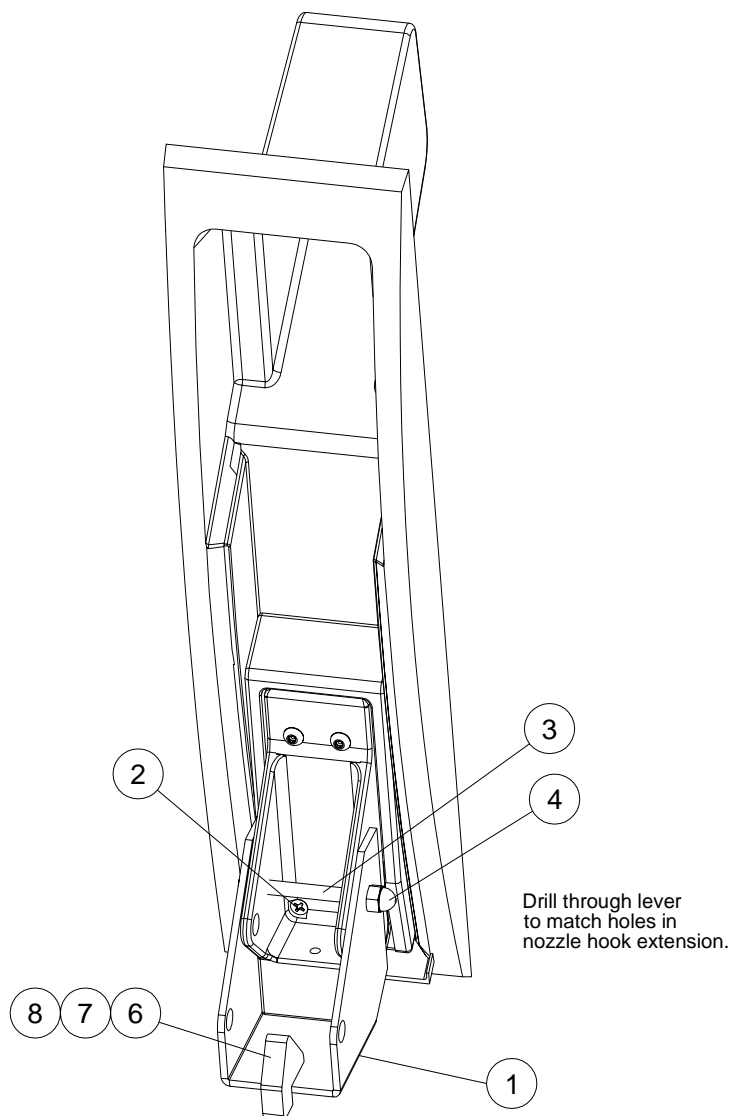
**OPW 11VF Nozzle Boot Kit**



Nozzle Boot Kit, OPW 11VF Nozzle Adapter, 892081-001		
Item No.	Part No.	Description
1	892079-001	11 VF Nozzle Hook Extension
2	892082-001	Screw, #8-18x3/8 PHTFFLSS
3	892083-001	Screw, 1/4-20x2-1/2 HHCSHXSS
4	892084-001	Nut, Acorn, 1/4-20, SST
5	015-128243-	Decal, OPW 11VF Nozzle (not shown)
6	891827-001	Nozzle Hook, G6101D
7	000-918137-	Screw, #8-32x1/2 PPHSTZN
8	000-916736-	Washer, Lock, #8 ETLWMDSSPA UL
-	000-920947	Nozzle Boot Kit Instructions

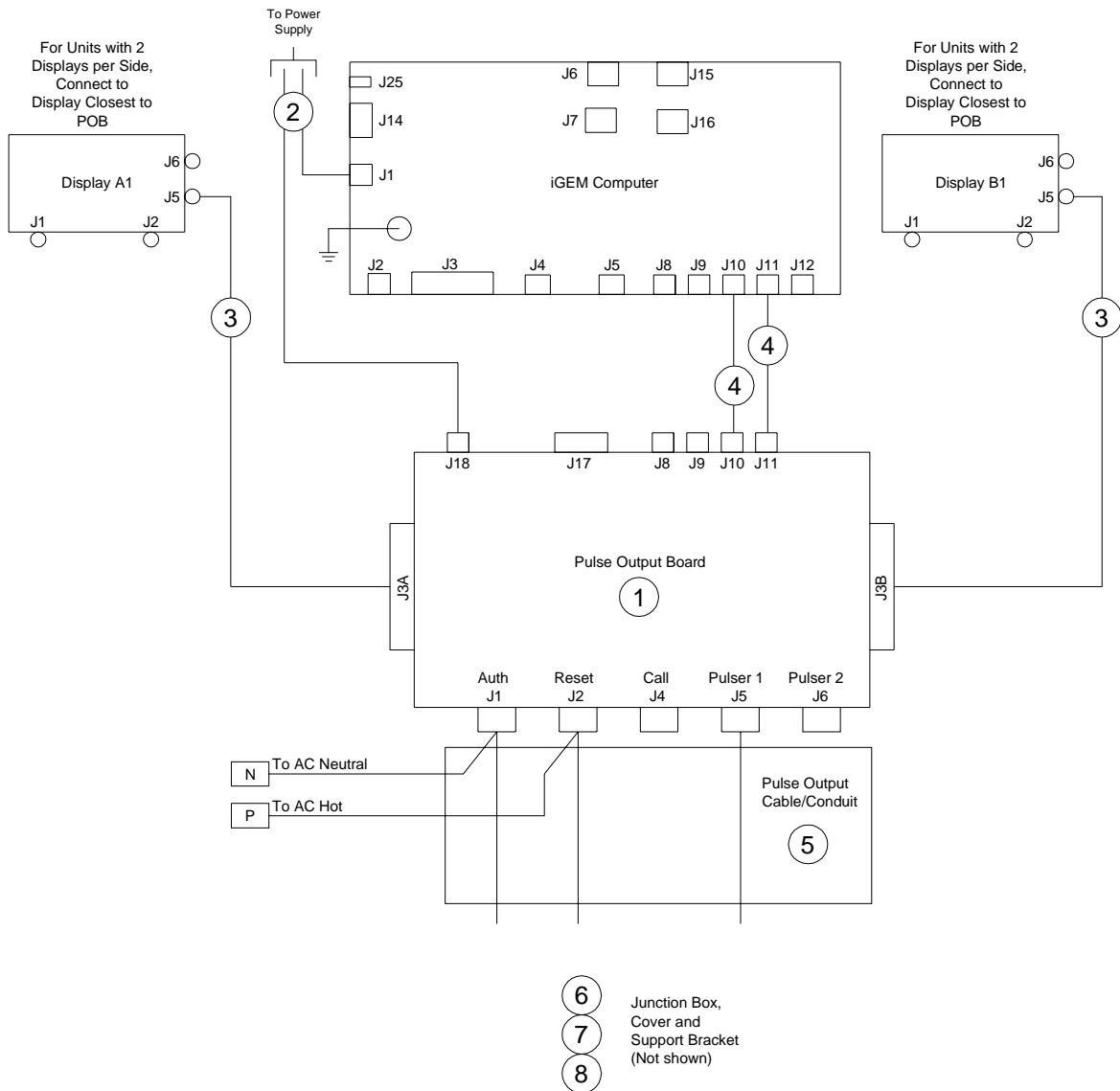


## Healy 400 Nozzle Boot Kit



Nozzle Boot Kit, Healy 400 Nozzle Adapter, 892080-001		
Item No.	Part No.	Description
1	890629-001	Healy 400 Nozzle Hook Extension
2	892082-001	Screw, #8-18x3/8 PHTFFLSS
3	892083-001	Screw, 1/4-20x2-1/2 HHCSHXSS
4	892084-001	Nut, Acorn, 1/4-20, SST
5	014-128243-	Decal, Healy 400 Nozzle
6	891827-001	Nozzle Hook, G6101D
7	000-918137-	Screw, #8-32x1/2 PHPHSTZN
8	000-916736-	Washer, Lock, #8 ETLWMDSSPA UL
-	000-920947	Nozzle Boot Kit Instructions

## Pulse Output Components - Standard, Enhanced and Super-High Capacity Models

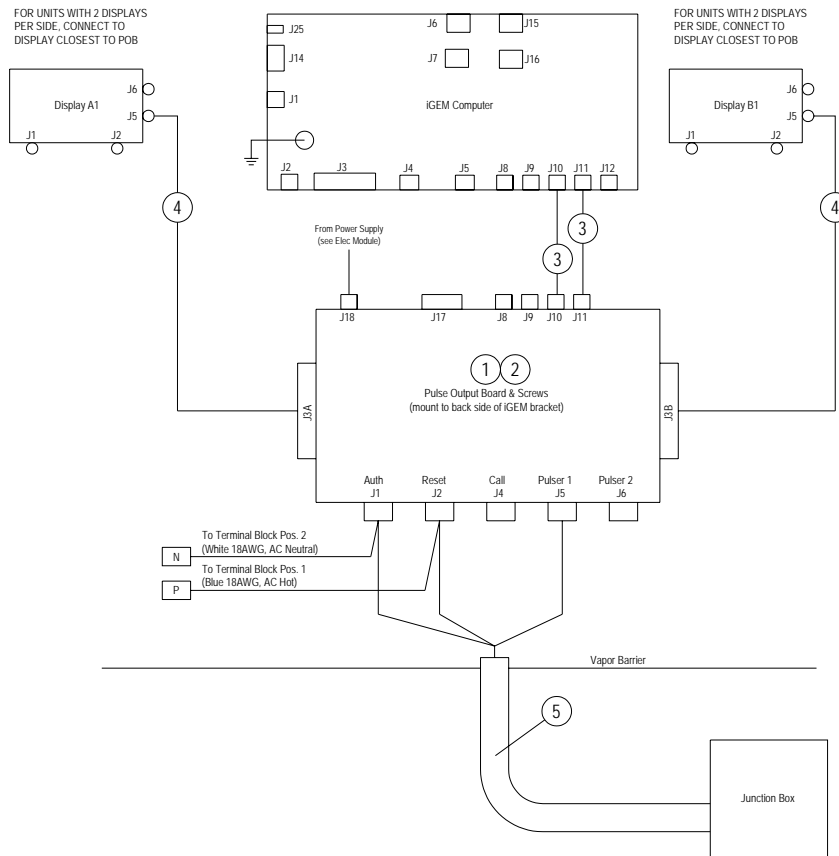
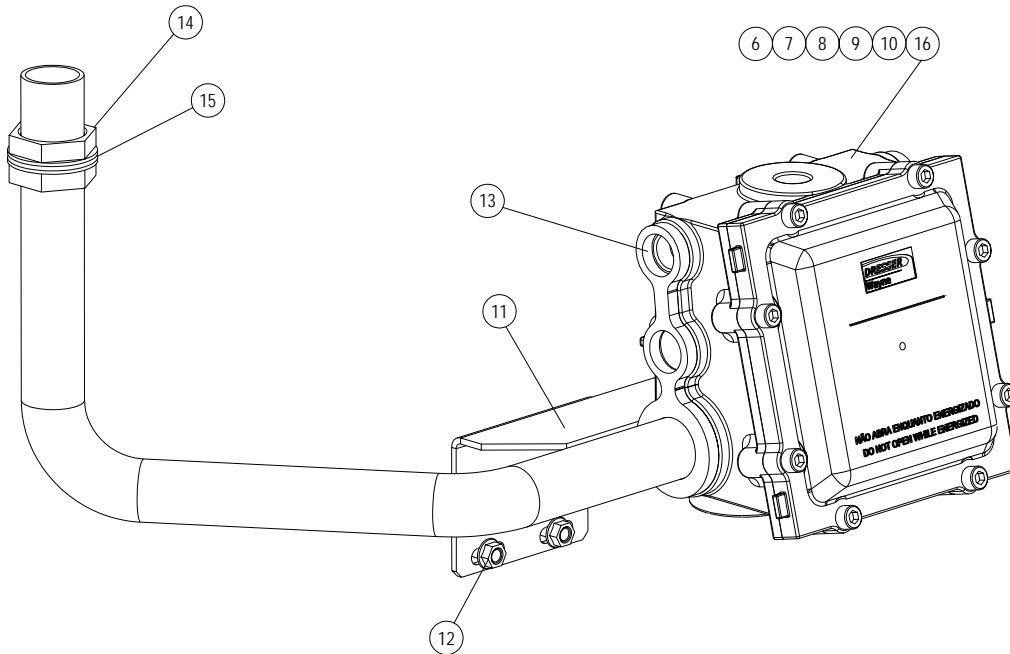


Item No.	Part No.	Description
1	890112-002	PCB Assy., Pulse Output, 2S/1P
2	890320-001	Power Cable, DC for Select
3	888814-002	Cable Assy., POB/Display (Auth)
4	890154-001	Cable Assy., POB/iGEM (Pulse & Reset)
5	001-306491-	Pulse Output Cable/Conduit-Single Suction
	002-306491-	Pulse Output Cable/Conduit-Twin Suction
	006-306491-	Pulse Output Cable/Conduit-SHC Suction
	004-306491-	Pulse Output Cable/Conduit-Single Remote
	005-306491-	Pulse Output Cable/Conduit-Twin Remote
6	006-306177-	Junction Box, Pulse Output
7	001-306180-	Junction Box Cover
8	001-306468-	Bracket, Junction Box Support (Suction units only)

Pulse Output Kits are for adding the Pulse Output option (Select dispensers only) to existing dispensers. "Pulse Output Ready" kits are for existing Select dispensers without the Pulse Output option, but with the Pulse Output J-Box and conduit (all units with the "/1" option are shipped as Pulse Output Ready if they do not already have the Pulse Output Option.)

Part No.	Description
892249-001	Kit, Pulse Output, Suction Pump Models
892249-002	Kit, Pulse Output, SHC Suction Pump Models
892250-001	Kit, Pulse Output, Twin & Single Remote
892251-001	Kit, Pulse Output Ready (All units with "/1" option)

## Pulse Output Components – Ultra-High Capacity Models



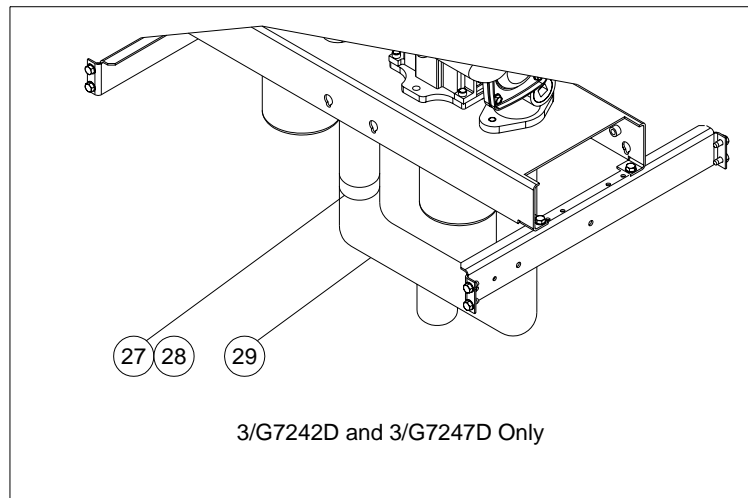
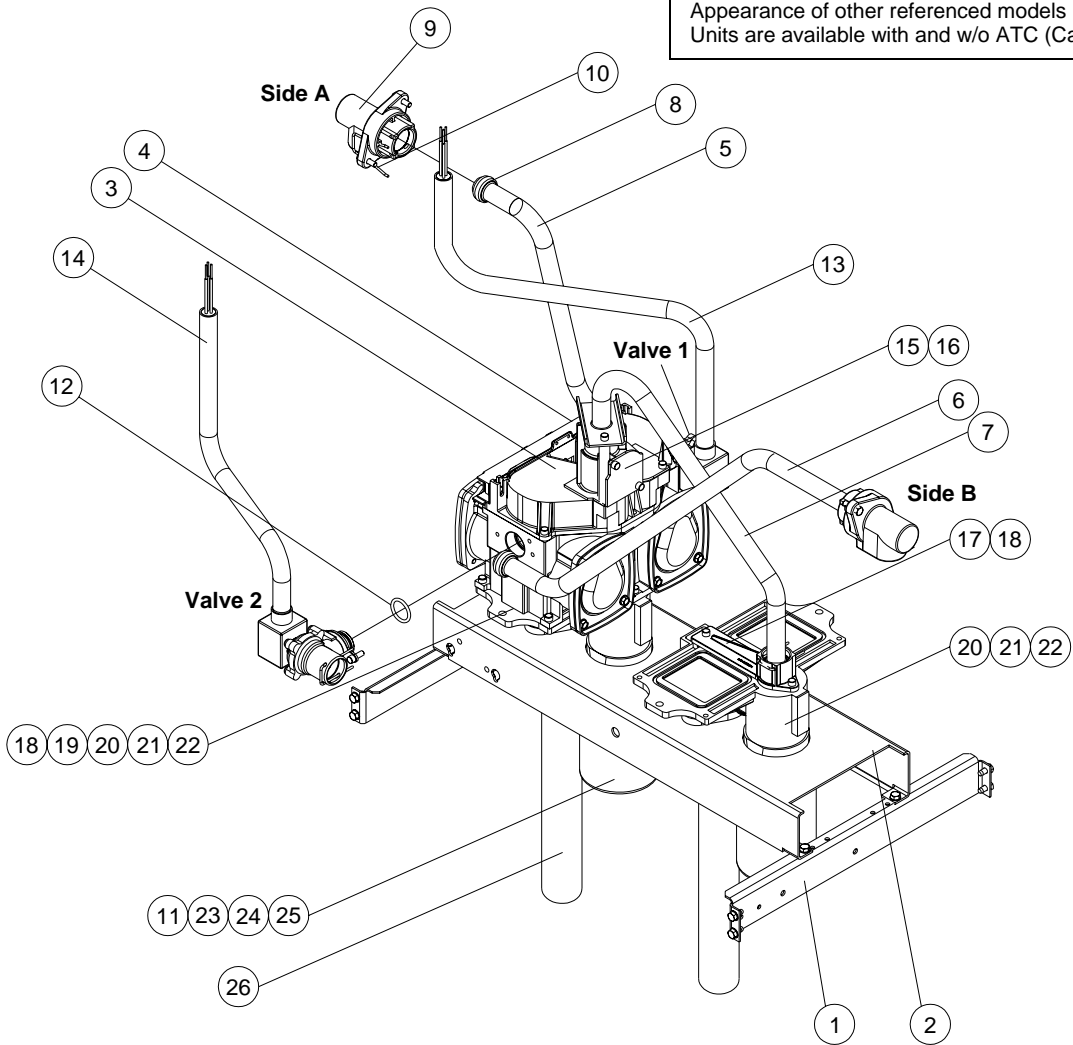
Item No.	Part No.	Description
1	890112-002	PCB Assy., Pulse Output, 2S/1P
2	001-921351-	Screw, M4x8 (2 For POB)
3	890154-001	Cable Assy., POB/iGem (Pulse & Reset)
4	888814-002	Cable Assy., POB/Display (Auth)
5	890631-001	Conduit Assy, UHC POB Potted, Single Hose Models
	890631-002	Conduit Assy, UHC POB Potted Twin Hose Models
6	005-306177	Jbox, UHC
7	001-306180	Jbox Cover
8	001-921053	Screw, (Jbox Cover)
9	000-509655	Plug, 1"NPT (For Bottom Of Jbox)
10	001-921551	Screw, M6 X 8mm Ground Green
11	890454-001	Bracket, Jbox
12	000-918513-	Screw, 1/4" X 5/8" Siftap(Jbox Brkt Mount)
13	001-921219-	Screw, Jbox Mtg
14	002-129498-	Conduit Nut (2 Per 3/4" Cond)
15	006-126817-	Washer 1.065 Id (2 Per 3/4" Cond)
16	000-508919-	Plug, 1/2" NPT, Hex Socket (For Sides And Top Of Jbox)

Pulse Output Kits are for adding the Pulse Output option (Select dispensers only) to existing dispensers. "Pulse Output Ready" kits are for existing Select dispensers without the Pulse Output option, but with the Pulse Output J-Box and conduit (all units with the "/1" option are shipped as Pulse Output Ready if they do not already have the Pulse Output Option.)

Part No.	Description
892254-001	Kit, Pulse Output, Twin & Single UHC
892251-001	Kit, Pulse Output Ready (All units with "/1" option)

**Models:** 3/G7201D, 3/G7203D, 3/G7207D/R, 3/G7208D 3/G7242D, 3/G7247D  
 3/G2201D, 3/G2202D, 3/G2203D, 3/G2207D  
 (Note: See next section for 3/G7203D/8, 3.G7208D/8, and 3/G2203D/8 models)

3/G7203D and 3/G2203D Hydraulics shown.  
 Appearance of other referenced models may vary.  
 Units are available with and w/o ATC (Canada Only).

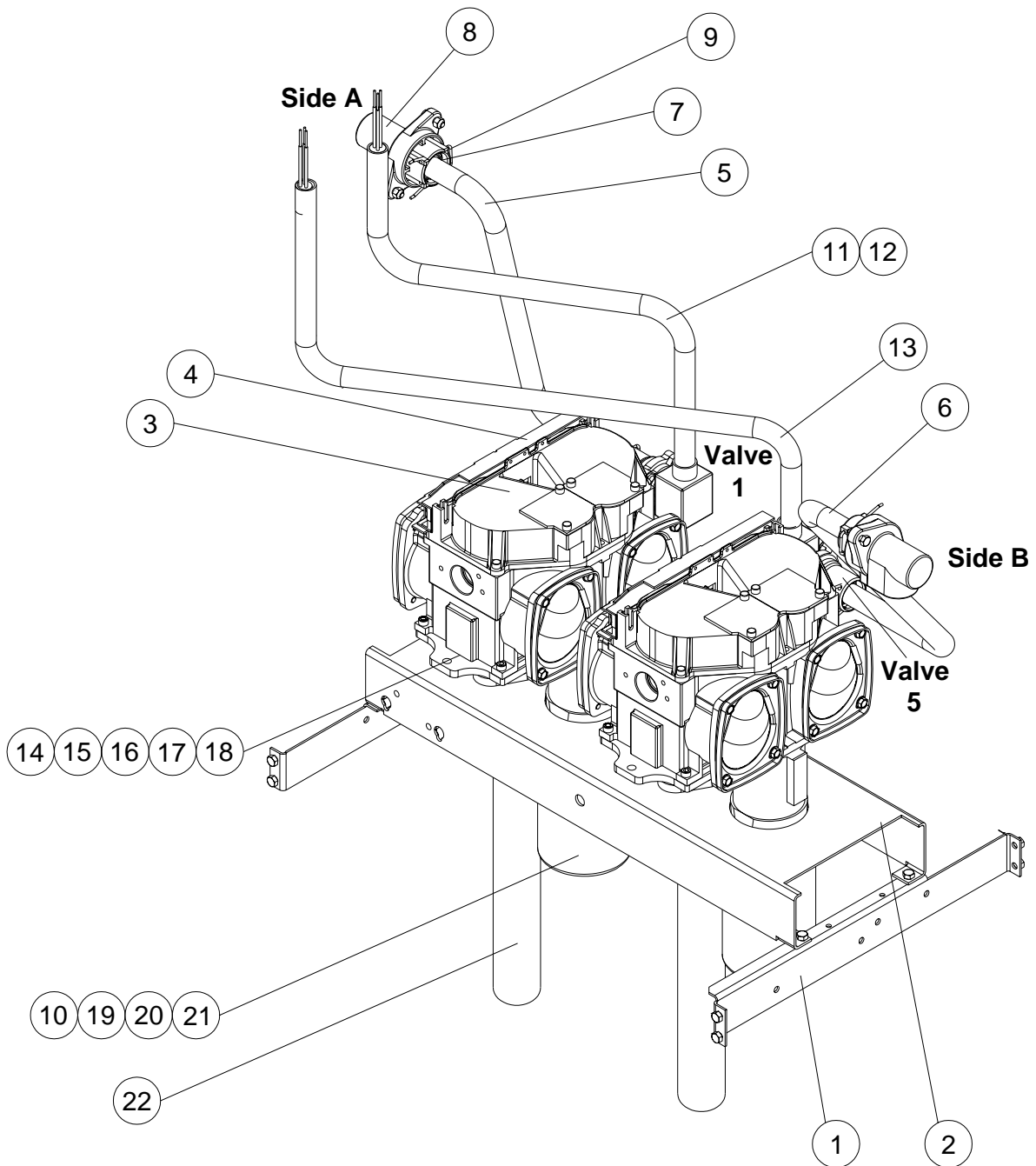


*Hydraulics, Standard/Enhanced Capacity Remote Dispensers*

Item No.	Part No.	Description							Inactive						
			3/G2201D	3/G2201D/2	3/G7201D/2	3/G7207D/2R	3/G2202D	3/G2207D	3/G2202D/2	3/G2207D/2	3/G7242D/2	3/G7247D/2	3/G2203D	3/G2203D/2	3/G7203D/2
1	002-301526-	Support-Platform	2	2	2	2	2	2	2	2	2	2	2	2	2
2	001-305032-	Platform	1	1	1	1	1	1	1	1	1	1	1	1	1
3	001-048036-	iMeter Assy, Single-Sided	1	1											
	006-048036-	iMeter Assy, Single-Sided, ATC Option	1	1											
	001-048015-	iMeter Assy					1	1	1	1	1	1	1	1	1
	008-048015-	iMeter Assy, ATC Option					1	1	1	1	1	1	1	1	1
4	003-921087-	Pulser, WIP iGEM	1	1	1	1	1	1	1	1	1	1	1	1	1
5	001-305042-	Discharge Tube, Side A, Valve 1	1	1	1	1	1	1	1	1	1	1	1	1	1
6	001-305043-	Discharge Tube, Side B, Valve 5					1	1	1	1	1	1	1	1	1
7	002-305039-	Cross-Over Tube								1	1	1	1	1	1
8	001-921130-	O-Ring, Double Bump Tube	2	2	4	4	6	6	6	6	6	6	6	6	6
9	001-301510-	Outlet Casting, 3/4" Standard Cap	1		2					2					
	003-301510-	Outlet Casting, 1" Enhanced Cap		1			2	2							2
10	890543-001	Lockpin Kit, 7/8" Tube	2	2	4	4	5	5	5	5	5	5	5	5	5
11	000-126042-	Nipple		1			1	2							2
12	000-905817-	O-Ring, Solenoid Valve	1	1	2	2	2	2	2	2	2	2	2	2	2
13	890583-001	Valve & Conduit, Side A, Valve 1	1	1	1	1	1	1	1	1	1	1	1	1	1
14	890576-001	Valve & Conduit, Side B, Valve 5					1	1	1	1	1	1	1	1	1
15	001-305466-	Check Valve Assy								1	1	1	1	1	1
16	001-305467-	Cage Assy w/ Plug								1	1	1	1	1	1
17	001-305012-	Adapter Casting								1	1	1	1	1	1
18	888616-001	O-Ring, 1.386 ID Filter Body Outlet	1	1	1	1	2	2	2	2	2	2	2	2	2
19	888612-001	O-Ring, 4.055 ID Meter Bottom Seal	2	2	2	2	2	2	2	2	2	2	2	2	2
20	001-300967-	Strainer Element	1	1	1	1	2	2	2	2	2	2	2	2	2
21	002-509655-	Plug, 1" NPT Socket Head	1	1	1	1	2	2	2	2	2	2	2	2	2
22	002-047855-	Casting, Filter Strainer	1	1	1	1	2	2	2	2	2	2	2	2	2
23	000-907407-	Filter, 10 Micron, 300 Series	1		1					2					
	002-916859-	Filter, 10 Micron, Hydrosorb, 300 Series	1		1					2					
	003-921487-	Filter, 30 Micron, Hydrosorb, 400 Series		1			1	2	2	2	2	2	2	2	2
24	002-305646-	Filter Adapter Assy (For 400 Series)		1			1	2	2	2	2	2	2	2	2
25	001-305647-	Gasket, Filter Adapter		1			1	2	2	2	2	2	2	2	2
26	016-127756-750	Inlet Pipe Nipple, 1-1/2" x 16-3/4"	1	1	1	1				2					2
	009-127756-	Inlet Pipe Nipple, 1-1/2" x 9"								2					
27	000-108380-	Gasket, 3-Bolt Flange Adapter								2					
28	001-305628-	1-1/2" NPT, 3-Bolt Flange Adapter								2					
29	001-305624-	Inlet Manifold Casting Assy								1					
	002-305624-	Inlet Manifold Casting Assy, ATC Option								1					
30	888841-001	Brass Fitting Well, ATC Option (Not Shown)	1	1	1	1	2	2	2	2	2	2	2	2	2
31	889565-002	Thermistor Probe, ATC Option (Not Shown)	1	1	1	1	2	2	2	2	2	2	2	2	2

**Models:** 3/G7203D/8, 3/G7208D/8  
3/G2203D/8

Units are available with and w/o ATC (Canada Only).





*Hydraulics, Standard/Enhanced Capacity Remote Dispensers*

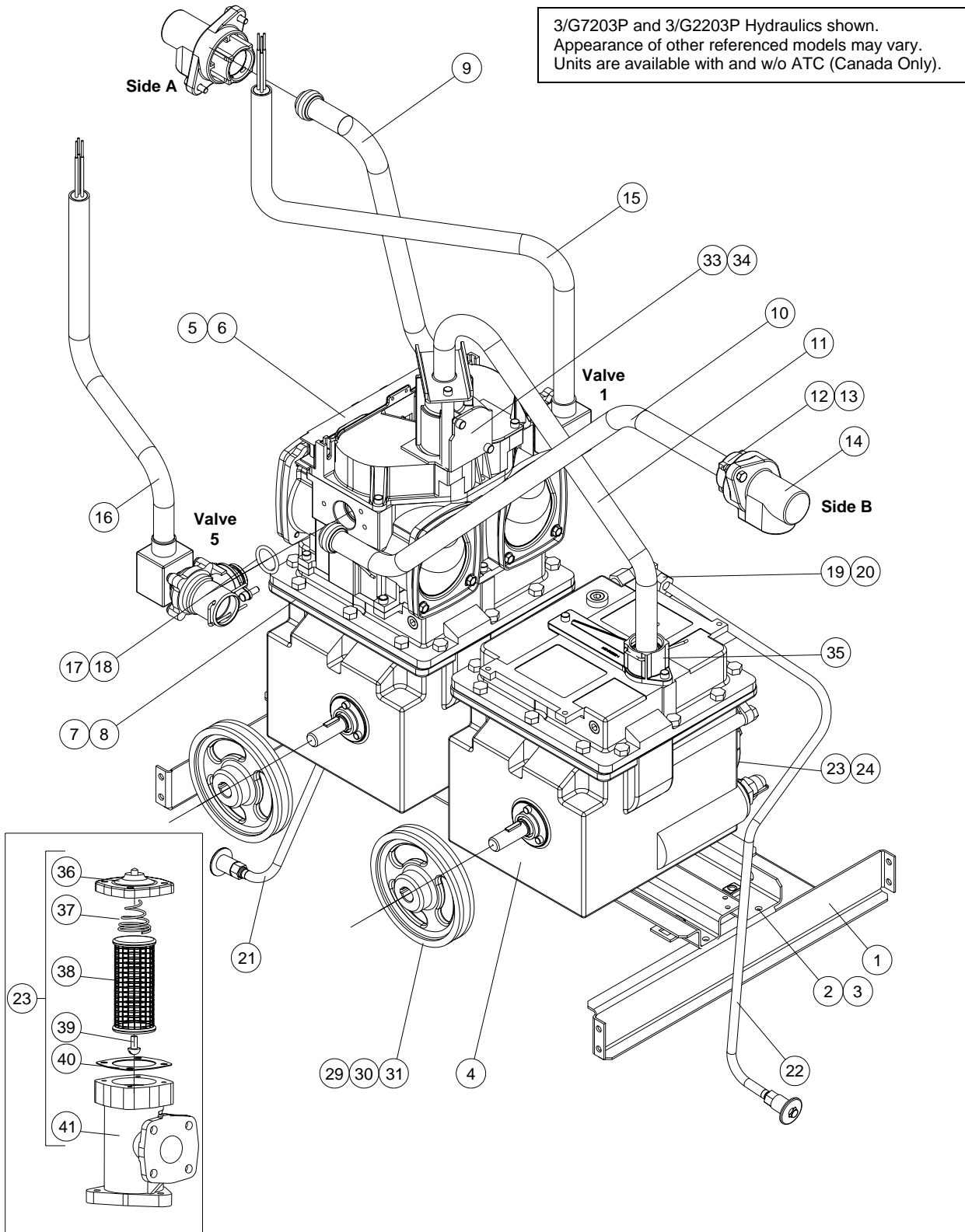
---

Item No.	Part No.	Description	3/G2203D/8	3/G2203D/28 3/G7203D/28 3/G7208D/28
1	002-301526-	Support-Platform	2	2
2	001-305032-	Platform	1	1
3	001-048036	iMeter Assy, Single-Sided	2	2
	006-048036-	iMeter Assy, Single-Sided, ATC Ready	2	2
4	003-921087-	Pulser, WIP iGEM	2	2
5	001-305042-	Discharge Tube, Side A, Valve 1	1	1
6	002-305042-	Discharge Tube, Side B, Valve 5	1	1
7	001-921130-	O-Ring, Double Bump Tube	4	4
8	001-301510-	Outlet Casting, 3/4" Standard Cap	2	
	003-301510-	Outlet Casting, 1" Enhanced Cap		2
9	890543-001	Lockpin Kit, 7/8" Tube	4	4
10	000-126042-	Nipple	2	2
11	000-905817-	O-Ring, Solenoid Valve	2	2
12	890583-001	Valve & Conduit, Side A, Valve 1	1	1
13	890580-002	Valve & Conduit, Side B, Valve 5	1	1
14	888616-001	O-Ring, 1.386 Id Filter Body Outlet	2	2
15	888612-001	O-Ring, 4.055 Id Meter Bottom Seal	4	4
16	001-300967-	Strainer Element	2	2
17	002-509655-	Plug, 1" NPT Socket Head	2	2
18	002-047855-	Casting, Filter Strainer	2	2
19	000-907407-	Filter, 10 Micron, 300 Series	2	
	002-916859-	Filter, 10 Micron, Hydrosorb, 300 Series	2	
	003-921487-	Filter, 30 Micron, Hydrosorb, 400 Series		2
20	002-305646-	Filter Adapter Assy (For 400 Series)		2
21	001-305647-	Gasket, Filter Adapter		2
22	016-127756-750	Inlet Pipe Nipple, 1-1/2" x 16-3/4"	2	2
23	888841-001	Brass Fitting Well, ATC Option (Not Shown)	2	2
24	889565-002	Thermistor Probe, ATC Option (Not Shown)	2	2

**Models:** 3/G7201P, 3/G7202P, 3/G7203P, 3/G7207P/R, 3/G7208P

3/G2201P, 3/G2202P, 3/G2203P, 3/G2207P

(Note: See next section for 3/G7203P/8, 3.G7208P/8, and 3/G2203P/8 models)

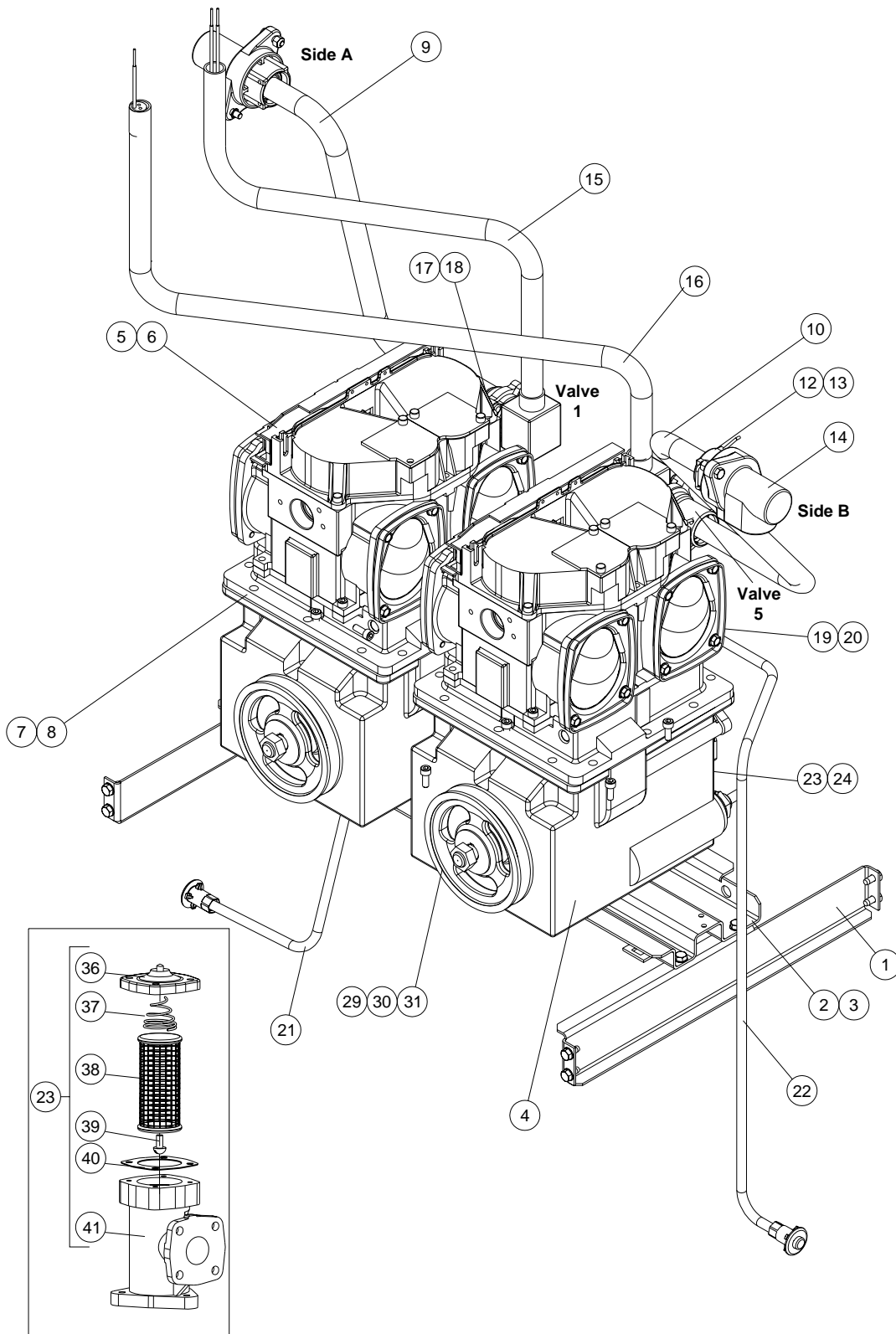


*Hydraulics, Standard/Enhanced Capacity Suction Pumps*

Item No.	Part No.	Description	Inactive												
			3/G2201P	3/G2201P/2	3/G7201P/2	3/G7207P/2R	3/G2202P	3/G2207P	3/G2202P/2	3/G2207P/2	3/G7202P/2	3/G7207P/2	3/G2203P	3/G2203P/2	3/G7203P/2
1	003-301526-	Support-Platform	2	2	2		2	2	2	2	2	2	2	2	2
2	001-305819-	Platform	1	1	1		1	1	1	1	1	1	1	1	1
3	002-918161-	Nut, Caged	4	4	4		4	4	4	4	4	8	8	8	8
4	006-048018-	Compact Pump, 2.5mm Orifice, Select			1					1					2
	001-048018-	Compact Pump, Std Orifice, Century	1	1			1	1				2	2		
5	001-048036	iMeter Assy, Single-Sided	1	1	1										
	006-048036-	iMeter Assy, Single-Sided, ATC Option	1	1	1										
	001-048015-	iMeter Assy					1	1	1	1	2	2	2		
	008-048015-	iMeter Assy, ATC Option					1	1	1	1	2	2	2		
6	003-921087-	Pulser, WIP iGEM	1	1	1		1	1	1	1	2	2	2		
7	888616-001	O-Ring, 1.386 ID Filter Body Outlet	1	1	1		1	1	1	1	2	2	2		
8	888612-001	O-Ring, 4.055 ID Meter Bottom Seal	2	2	2		2	2	2	2	2	2	2		
9	001-305042-	Discharge Tube, Side A, Valve 1	1	1	1		1	1	1	1	1	1	1		
	001-305490-	Discharge Tube, Side A, No Valve			1										1
10	001-305043-	Discharge Tube, Side B, Valve 5					1	1	1	1	1	1	1		
	001-305491-	Discharge Tube, Side B, No Valve													1
11	002-305039-	Cross-Over Tube									1	1	1		
12	001-921130-	O-Ring, Double Bump Tube	2	2	2		4	4	4	4	6	6	6		
13	890543-001	Lockpin Kit, 7/8" Tube	2	2	2		4	4	4	4	4	4	4		
14	001-301510-	Outlet Casting, 3/4" Standard Cap	1				2				2				
	003-301510-	Outlet Casting, 1" Enhanced Cap		1	1			2	2			2	2		
15	890583-001	Valve & Conduit, Side A, Valve 1	1	1	1		1	1	1	1	1	1	1		
16	890576-001	Valve & Conduit, Side B, Valve 5					1	1	1	1	1	1	1		
18	000-905817-	O-Ring, Solenoid Valve	1	1	1		2	2	2	2	2	2	2		
19	889263-001	Adapter, NPT-1/4 Male X 1/4 Fem	1	1	1		1	1	1	1	2	2	2		
20	000-907070-	Elbow, Male 3/8 X 1/4 X 90 Inv Flare	1	1	1		1	1	1	1	2	2	2		
21	001-305035-	Vent Tube, Side A	1	1	1		1	1	1	1	1	1	1		
22	001-305036-	Vent Tube, Side B									1	1	1		
23	000-201829-	Inlet Strainer Assy	1	1	1		1	1	1	1	2	2	2		
24	000-129882-	Gasket, 4-Bolt Pump Inlet	1	1	1		1	1	1	1	2	2	2		
25	001-301717-	Motor, 115/230v (Not Shown)	1	1	1		1	1	1	1	2	2	2		
26	001-305217-	Motor Conduit, Side A (Not Shown)	1	1	1		1	1	1	1	1	1	1		
27	001-305218-	Motor Conduit, Side B (Not Shown)									1	1	1		
28	000-027944-	Motor Pulley (Not Shown)	1	1	1		1	1	1	1	2	2	2		
29	000-201905-	Pump Pulley	1	1	1		1	1	1	1	2	2	2		
30	000-115550-	Key, Woodruff #606 ANSI	1	1	1		1	1	1	1	2	2	2		
31	000-511670-	Nut, Pump Pulley	1	1	1		1	1	1	1	2	2	2		
32	000-918856-KIT	V-Link Belt Kit (Not Shown)	1	1	1		1	1	1	1	2	2	2		
33	001-305466-	Check Valve Assy									1	1	1		
34	001-305467-	Cage Assy W/ Plug									1	1	1		
35	001-305012-	Adapter Casting									1	1	1		
36	000-200427-	Cover-Strainer	1	1	1		1	1	1	1	2	2	2		
37	000-120529-	Spring, Strainer	1	1	1		1	1	1	1	2	2	2		
38	000-029362-	Straner Element	1	1	1		1	1	1	1	2	2	2		
39	000-127441-	Screw	1	1	1		1	1	1	1	2	2	2		
40	000-118869-	Gasket, Strainer	1	1	1		1	1	1	1	2	2	2		
41	000-047583-	Strainer Body	1	1	1		1	1	1	1	2	2	2		
42	888841-001	Brass Fitting Well, ATC Option (Not Shown)	1	1	1		1	1	1	1	2	2	2		
43	889565-002	Thermistor Probe, ATC Option (Not Shown)	1	1	1		1	1	1	1	2	2	2		

**Model:** 3/G7203P/8, 3/G7208P/8  
3/G2203P/8

Units are available with and w/o ATC (Canada Only).

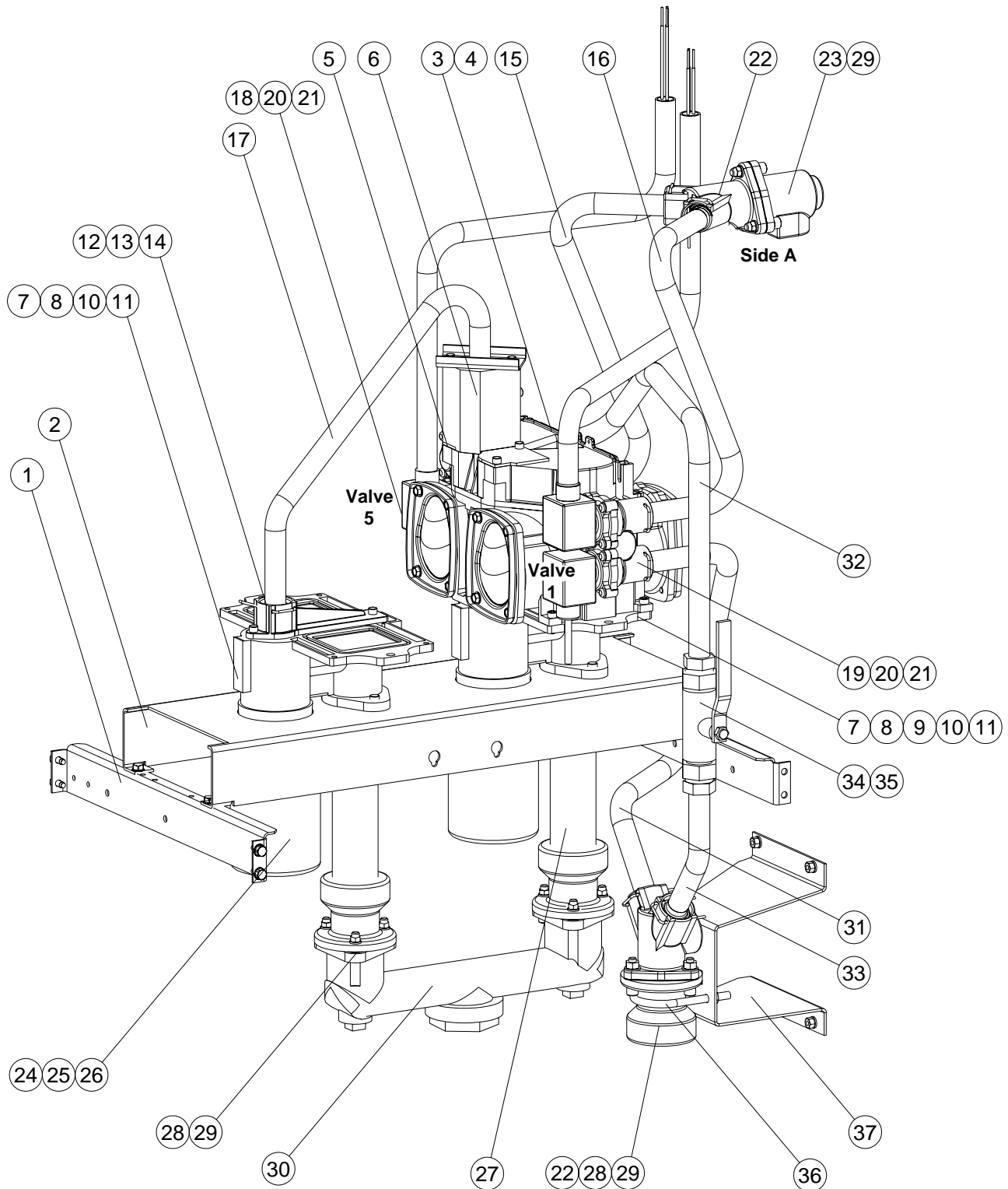


*Hydraulics, Standard/Enhanced Capacity Suction Pumps*

Item No.	Part No.	Description	3/G2203P/8	3/G2203P/28	3/G7203P/28 3/G7208P/28
1	003-301526-	Support-Platform	2	2	2
2	001-305032-	Platform	1	1	1
3	002-918161-	Nut, Caged	8	8	8
4	006-048018-	Compact Pump, 2.5mm Orifice, Select			2
	001-048018-	Compact Pump, Std Orifice, Century	2	2	
5	001-048036	iMeter Assy, Single-Sided	2	2	2
	006-048036-	iMeter Assy, Single-Sided, ATC Option	2	2	2
6	003-921087-	Pulser, WIP iGEM	2	2	2
7	888616-001	O-Ring, 1.386 ID Filter Body Outlet	2	2	2
8	888612-001	O-Ring, 4.055 ID Meter Bottom Seal	4	4	4
9	001-305042-	Discharge Tube, Side A, Valve 1	1	1	1
	001-305490-	Discharge Tube, Side A, No Valve			1
10	002-305042-	Discharge Tube, Side B, Valve 5	1	1	1
	002-305490-	Discharge Tube, Side B, No Valve			1
12	001-921130-	O-Ring, Double Bump Tube	4	4	4
13	890543-001	Lockpin Kit, 7/8" Tube	4	4	4
14	001-301510-	Outlet Casting, 3/4" Standard Cap	2		
	003-301510-	Outlet Casting, 1" Enhanced Cap		2	2
15	890583-001	Valve & Conduit, Side A, Valve 1	1	1	1
16	890580-002	Valve & Conduit, Side B, Valve 5	1	1	1
18	000-905817-	O-Ring, Solenoid Valve	2	2	2
19	889263-001	Adpater, NPT-1/4 Male X 1/4 Fem	2	2	2
20	000-907070-	Elbow, Male 3/8 X 1/4 X 90 Inv Flare	1	1	1
21	001-305035-	Vent Tube, Side A	1	1	1
22	001-305036-	Vent Tube, Side B	1	1	1
23	000-201829-	Inlet Strainer Assy	2	2	2
24	000-129882-	Gasket, 4-Bolt Pump Inlet	2	2	2
25	001-301717-	Motor, 115/230v (Not Shown)	2	2	2
26	001-305217-	Motor Conduit, Side A (Not Shown)	1	1	1
27	001-305218-	Motor Conduit, Side B (Not Shown)	1	1	1
28	000-027944-	Motor Pulley (Not Shown)	2	2	2
29	000-201905-	Pump Pulley	2	2	2
30	000-115550-	Key, Woodruff #606 ANSI	2	2	2
31	000-511670-	Nut, Pump Pulley	2	2	2
32	000-918856-KIT	V-Link Belt Kit (Not Shown)	2	2	2
36	000-200427-	Cover-Strainer	2	2	2
37	000-120529-	Spring, Strainer	2	2	2
38	000-029362-	Straner Element	2	2	2
39	000-127441-	Screw	2	2	2
40	000-118869-	Gasket, Strainer	2	2	2
41	000-047583-	Strainer Body	2	2	2
42	888841-001	Brass Fitting Well, ATC Option (Not Shown)	2	2	2
43	889565-002	Thermistor Probe, ATC Option (Not Shown)	2	2	2

**Models:** 3/G7221D, 3/G7227D/R, 3/G7227D/MR  
3/G2221D, 3/G2227D/R, 3/G2227D/MR

3/G7203P and 3/G2203P Hydraulics shown.  
Appearance of other referenced models may vary.  
These hydraulics are not available with ATC Option.

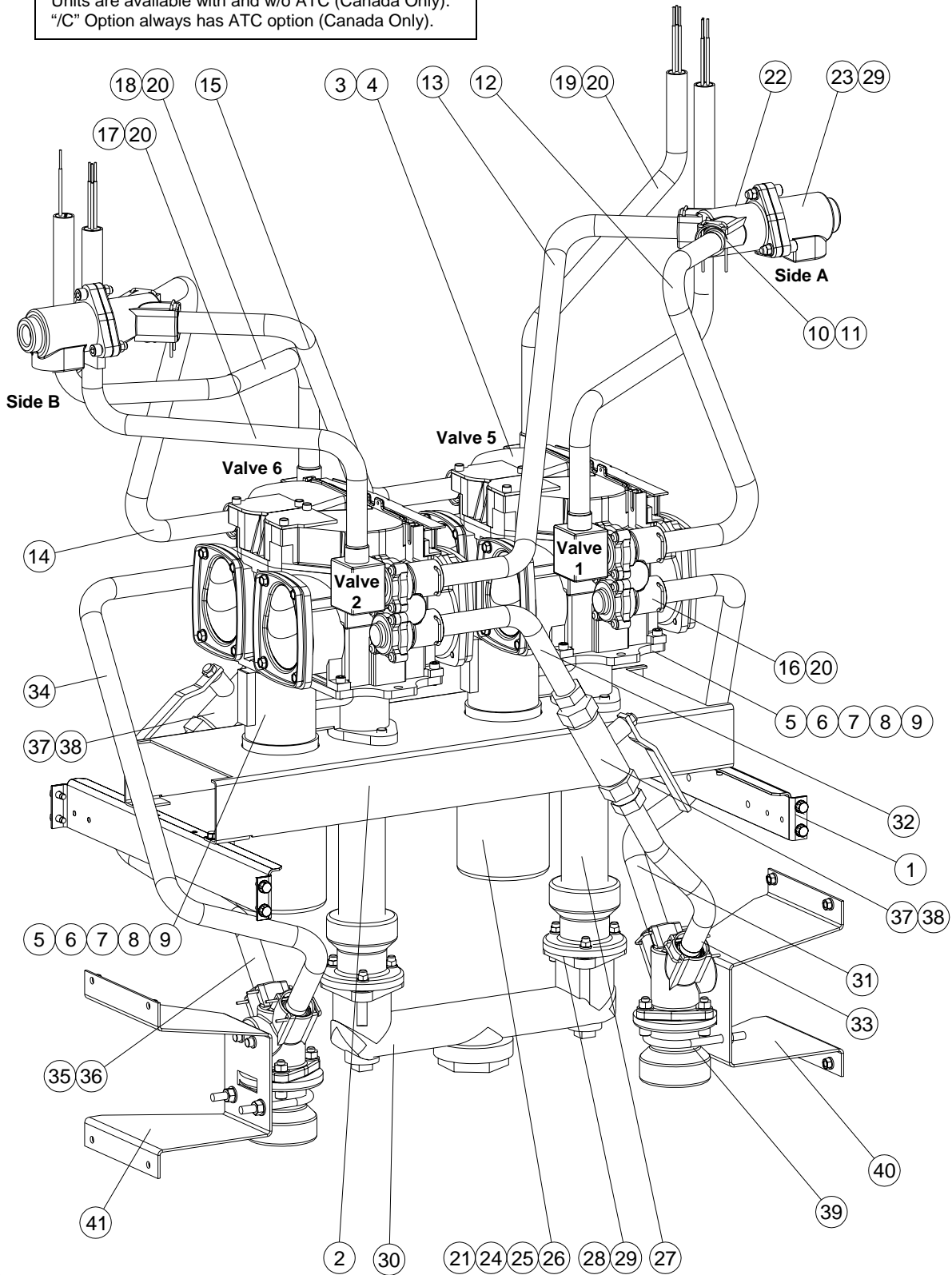


*Hydraulics, Super High Capacity Single Remote Dispensers*

Item No.	Part No.	Description	3/G2221D 3/G7221D	3/G2227D/R 3/G7227D/R	3/G2227D/MR 3/G7227D/MR
1	002-301526-	Support-Platform	2	2	2
2	001-305032-	Platform	1	1	1
3	001-048015-	iMeter Assy	1	1	1
4	003-921087-	Pulser, WIP iGEM	1	1	1
5	001-305467-	Cage Assy W/ Plug	1	1	1
6	001-305466-	Check Valve Assy	1	1	1
7	002-047855-	Casting, Filter Strainer	2	2	2
8	888616-001	O-Ring, 1.386 ID Filter Body Outlet	2	2	2
9	888612-001	O-Ring, 4.055 ID Meter Bottom Seal	2	2	2
10	001-300967-	Strainer Element	2	2	2
11	002-509655-	Plug, 1" NPT Socket Head	2	2	2
12	001-305012-	Adapter Casting	1	1	1
13	001-921130-	O-Ring, Double Bump Tube	6	6	10
14	890543-001	Lockpin Kit, 7/8" Tube	5	5	9
15	001-305037-	Discharge Tube, Side A, Valve 5	1		
	002-305555-	Discharge Tube, Side A, Valve 5		1	
	001-305555-	Discharge Tube, Side A, Valve 5			1
16	001-305038-	Discharge Tube, Side A, Valve 1	1		
	002-305538-	Discharge Tube, Side A, Valve 1		1	
	001-305538-	Discharge Tube, Side A, Valve 1			1
17	002-305039-	Cross-Over Tube	1	1	1
18	890575-001	Valve & Conduit, Side A, Valve 5	1	1	
	890585-001	Valve & Conduit, Side A, Valve 5			1
19	890583-001	Valve & Conduit, Side B, Valve 1	1		
	890574-001	Valve & Conduit, Side B, Valve 1		1	
	890587-001	Valve & Conduit, Side B, Valve 1			1
20	000-905817-	O-Ring, Solenoid Valve	2	2	2
21	000-126042-	Nipple	2	2	2
22	001-301511-	Manifold Discharge Casting	1	1	2
23	001-301498-	Outlet Casting	1	1	1
24	002-305646-	Filter Adapter (For 400 Series)	2	2	2
25	001-305647-	Gasket, Filter Adapter	2	2	2
26	003-921487-	Filter, 30 Micron, Hydrosorb, 400 Series	2	2	2
27	009-127756-	Inlet Pipe Nipple, 1-1/2" x 9"	2	2	2
28	001-305628-	1-1/2" NPT, 3-Bolt Flange Adapter	2	2	3
29	000-108380-	Gasket, 3-Bolt Flange Adapter	3	3	4
30	001-305624-	Inlet Manifold Casting Assy	1	1	1
31	001-305523-	Tube, Sat, Side A, Valve 1			1
32	001-306126-	Tube, Sat, Side A Upper, Valve 5			1
33	001-306125-	Tube, Sat, Side A Lower, Valve 5			1
34	001-306127-	3/4" NPT Ball Valve Assy			1
35	000-129762-	Washer-Flare			2
36	001-305837-	U-Bolt			1
37	001-306047-	Support, Manifold Casting			1

**Models: 3/G7227D, 3/G7227D/M, 3/G7221D/C, 3/G7227D/CR, 3/G7227D/CMR  
3/G2227D, 3/G2227D/M, 3/G2221D/C, 3/G2227D/CR, 3/G2227D/CMR**

3/G7227D/M and 3/G2227D/M Hydraulics shown.  
Appearance of other referenced models may vary.  
Units are available with and w/o ATC (Canada Only).  
"C" Option always has ATC option (Canada Only).

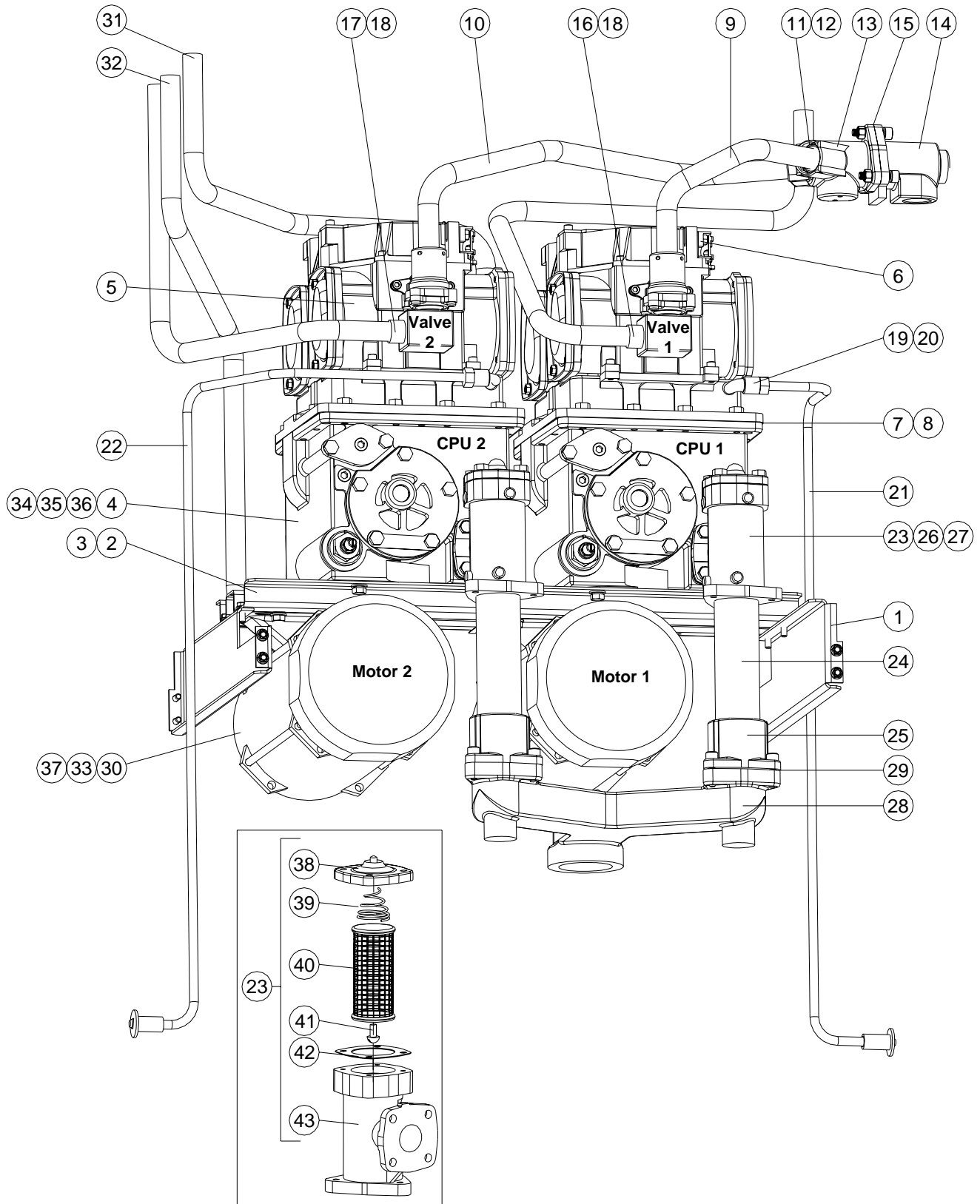




Hydraulics, Super High Capacity Twin I Dispensers

Item No.	Part No.	Description	3/G2227D	3/G7227D	3/G2227D/M	3/G7227D/M	3/G2221D/C	3/G7221D/C	3/G2227D/CR	3/G7227D/CR	3/G2227D/CMR	3/G7227D/CMR
1	002-301526-	Support-Platform	2	2	2	2	2	2				
2	001-305032-	Platform	1	1	1	1	1	1				
3	001-048015-	iMeter Assy	2	2								
	001-048036-	iMeter Assy, Single-sided			2	2	2	2				
4	003-921087-	Pulser, WIP iGEM	2	2	2	2	2	2				
5	002-047855-	Casting, Filter Strainer	2	2	2	2	2	2				
6	888616-001	O-Ring, 1.386 ID Filter Body Outlet	2	2	2	2	2	2				
7	888612-001	O-Ring, 4.055 ID Meter Bottom Seal	4	4	4	4	4	4				
8	001-300967-	Strainer Element	2	2	2	2	2	2				
9	002-509655-	Plug, 1" NPT Socket Head	2	2	2	2	2	2				
10	001-921130-	O-Ring, Double Bump Tube	8	16	4	4	4	4				
11	890543-001	Lockpin Kit, 7/8" Tube	8	16	4	4	8					
12	001-305538-	Discharge Tube, Side A, Valve 1		1							1	
	002-305538-	Discharge Tube, Side A, Valve 1	1					1				
	001-305038-	Discharge Tube, Side A, Valve 1				1						
13	001-305539-	Discharge Tube, Side A, Valve 2		1							1	
	002-305539-	Discharge Tube, Side A, Valve 2	1					1				
	003-305539-	Discharge Tube, Side A, Valve 2				1						
14	001-305540-	Discharge Tube, Side B, Valve 6										
	002-305540-	Discharge Tube, Side B, Valve 6	1	1								
15	001-305542-	Discharge Tube, Side B, Valve 5		1								
	002-305542-	Discharge Tube, Side B, Valve 5	1									
16	890574-001	Valve & Conduit, Side A, Valve 1	1			1	1					
	890587-001	Valve & Conduit, Side A, Valve 1 (Master)			1						1	
17	890580-001	Valve & Conduit, Side A, Valve 2	1			1	1					
	890588-001	Valve & Conduit, Side A, Valve 2 (Master)			1						1	
18	890579-001	Valve & Conduit, Side B, Valve 6	1									
	890586-001	Valve & Conduit, Side B, Valve 6 (Master)			1							
19	890577-001	Valve & Conduit, Side B, Valve 5	1									
	890589-001	Valve & Conduit, Side B, Valve 5 (Master)			1							
20	000-905817-	O-Ring, Solenoid Valve	4	4	2	2	2	2				
21	000-126042-	Nipple	2	2	2	2	2	2				
22	001-301511-	Manifold Discharge Casting	2	4	1	1	2					
23	001-301498-	Outlet Casting	2	2	1	1	1					
24	002-305646-	Filter Adapter (For 400 Series)	2	2	2	2	2	2				
25	001-305647-	Gasket, Filter Adapter	2	2	2	2	2	2				
26	003-921487-	Filter, 30 Micron, Hydrosorb, 400 Series	2	2	2	2	2	2				
27	009-127756-	Inlet Pipe Nipple, 1-1/2" x 9"	2	2	2	2	2	2				
28	001-305628-	1-1/2" NPT, 3-Bolt Flange Adapter	2	4	2	2	3					
29	000-108380-	Gasket, 3-Bolt Flange Adapter	4	6	3	3	4					
30	001-305624-	Inlet Manifold Casting Assy	1	1								
	002-305624-	Inlet Manifold Casting Assy w/ ATC Ports	1	1	1	1	1					
31	001-305523-	Discharge Tube, Sat, Side A, Valve 1			1						1	
32	001-306128-	Discharge Tube, Sat, Side A Upper, Valve 2			1						1	
33	002-306128-	Discharge Tube, Sat, Side A Lower, Valve 2			1						1	
34	001-305543-	Discharge Tube, Sat, Side B, Valve 6			1							
35	001-306129-	Discharge Tube, Sat, Side B Upper, Valve 5			1							
36	002-306129-	Discharge Tube, Sat, Side B Lower, Valve 5			1							
37	001-306127-	3/4" NPT Ball Valve Assy			2						1	
38	000-129762-	Washer-Flare			4						2	
39	001-305837-	U-Bolt			2						1	
40	001-306047-	Support, Manifold Casting, Side A			1						1	
41	002-306047-	Support, Manifold Casting, Side B			1							
42	889289-001	Bracket, Ball Valve (Not Shown)			1						1	
43	889290-001	Bracket-L, Ball Valve (Not Shown)			1						1	
44	888841-001	Brass Fitting Well, ATC Option (Not Shown)	1	1	1	1	1	1			1	1
45	889565-002	Thermistor Probe, ATC Option (Not Shown)	1	1	1	1	1	1			1	1

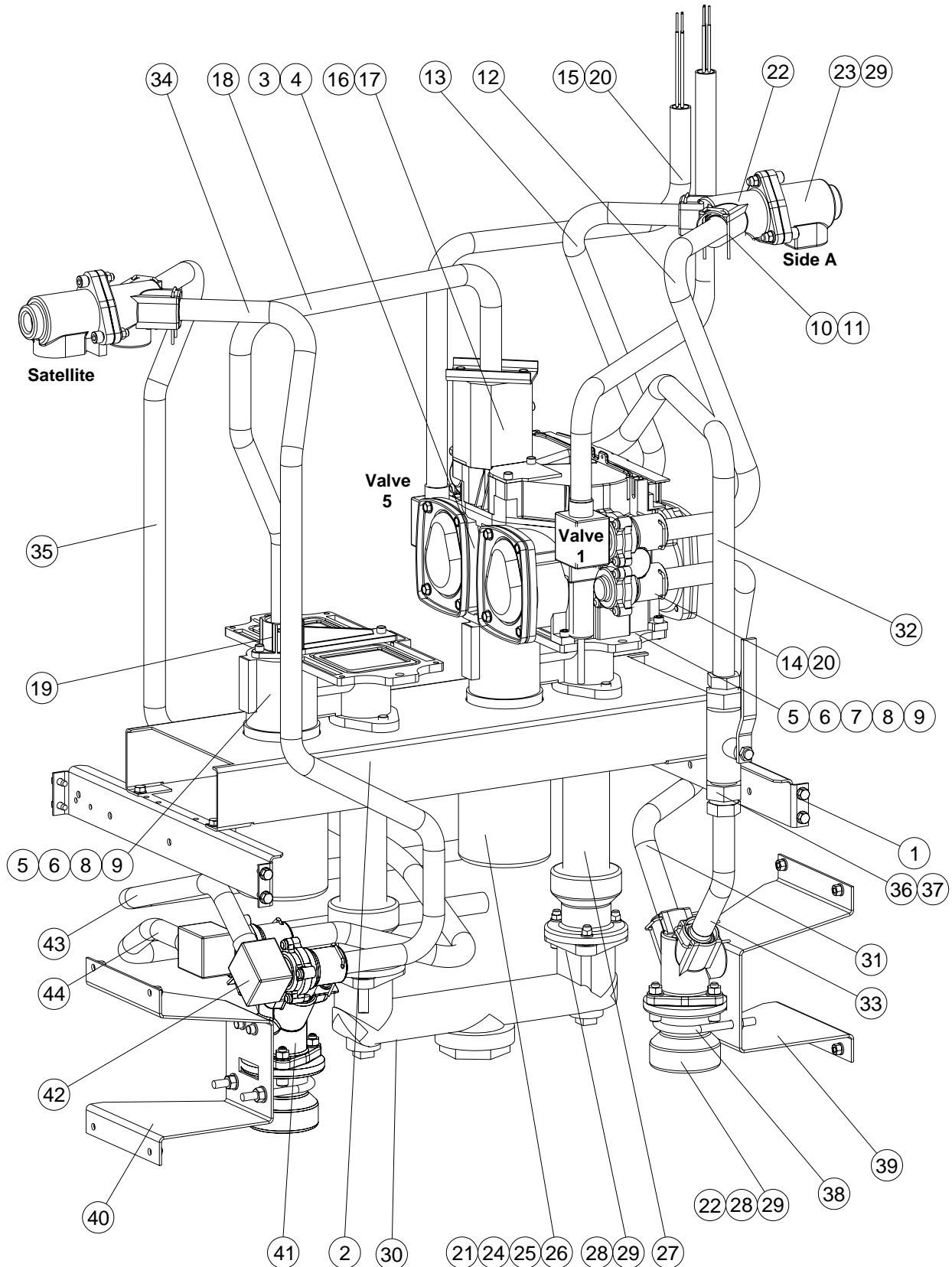
Models: 3/G7221P/8, 3/G7227P/8



Item No.	Part No.	Description	3/G7221P/8	3/G7227P/8R
1	892258-001	Support-Platform, SHC Suction	2	2
2	001-305819-	Platform, Suction	1	1
3	002-918161-	Nut, Caged	8	8
4	006-048018-	Compact Pump (CPU), 2.5mm Orifice, Select	2	2
5	001-048036	iMeter Assy, Single-Sided	2	2
6	003-921087-	Pulser, WIP iGEM	2	2
7	888616-001	O-Ring, 1.386 ID Filter Body Outlet	2	2
8	888612-001	O-Ring, 4.055 ID Meter Bottom Seal	4	4
9	892095-002	Discharge Tube, Valve 1, Lane	1	
	892095-001	Discharge Tube, Valve 1, Island		1
10	892096-002	Discharge Tube, Valve 2, Lane	1	
	892096-001	Discharge Tube, Valve 1, Island		1
11	001-921130-	O-Ring, Double Bump Tube	4	4
12	890543-001	Lockpin Kit, 7/8" Tube	4	4
13	001-301511-	Manifold Outlet Casting	1	1
14	001-301498-	Outlet Casting	1	1
15	000-108380-	Gasket, 3-Bolt Flange Adapter	1	1
16	892097-001	Valve & Conduit, Valve 1	1	1
17	892097-002	Valve & Conduit, Valve 2	1	1
18	000-905817-	O-Ring, Solenoid Valve	2	2
19	889263-001	Adpater, NPT-1/4 Male X 1/4 Fem	2	2
20	000-907070-	Elbow, Male 3/8 X 1/4 X 90 Inv Flare	2	2
21	002-305035-	Vent Tube, CPU 1	1	1
22	002-305036-	Vent Tube, CPU 2	1	1
23	000-201829-	Inlet Strainer Assy	2	2
24	890873-006-500	Nipple, 1-1/2" NPT x 6-1/2"	2	2
25	001-306017-	Flange Adapter, 1-1/2" NPT x 3 Bolt Flange	2	2
26	000-129882-	Gasket, 4-Bolt Pump Inlet	4	4
27	001-305331-	Gas Check Valve, CPU Inlet	2	2
28	001-306012-	Inlet Manifold Y Casting	1	1
29	000-120722-	O-Ring, Inlet Manifold	2	2
30	001-301717-	Motor, 115/230v	2	2
31	002-305217-	Motor Conduit, CPU 1	1	1
32	001-305218-	Motor Conduit, CPU 2	1	1
33	000-027944-	Motor Pulley (Not Shown)	2	2
34	000-201905-	Pump Pulley (Not Shown)	2	2
35	000-115550-	Key, Woodruff #606 ANSI (Not Shown)	2	2
36	000-511670-	Nut, Pump Pulley (Not Shown)	2	2
37	000-918856-KIT	V-Link Belt Kit (Not Shown)	2	2
38	000-200427-	Cover-Strainer	2	2
39	000-120529-	Spring, Strainer	2	2
40	000-029362-	Strainer Element	2	2
41	000-127441-	Screw	2	2
42	000-118869-	Gasket, Strainer	2	2
43	000-047583-	Strainer Body	2	2
44	888841-001	Brass Fitting Well, ATC Option (Not Shown)	1	1
45	889565-002	Thermistor Probe, ATC Option (Not Shown)	1	1
46	892274-001	Reducing Coupling, 2"Fx2-1/2"F, ATC	1	1
47	892275-001	Reducing Hex Bushing, 2"Fx2-1/2"M, ATC	1	1

**Models:** 3/G7228D/LM  
3/G2228D/LM

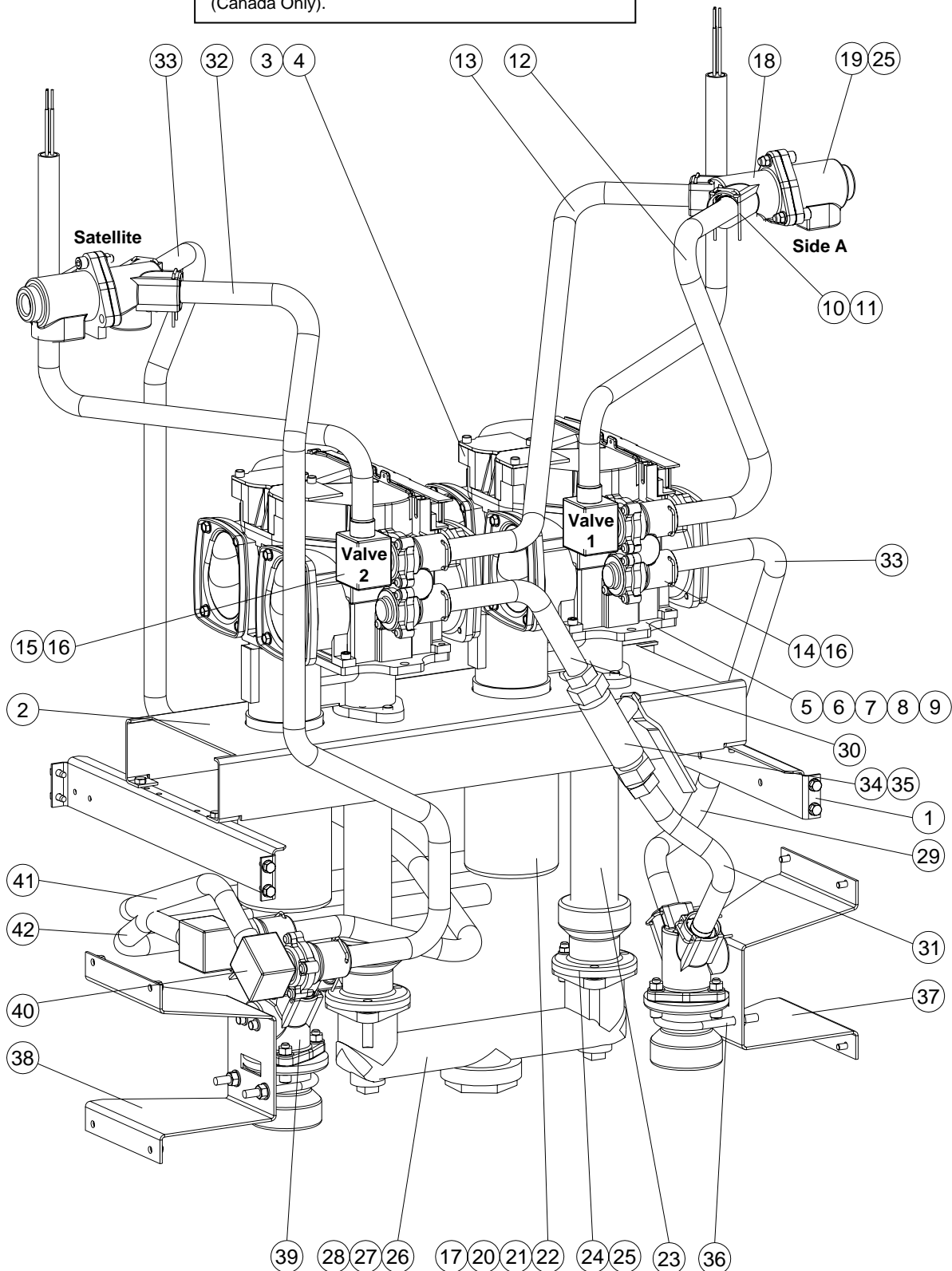
These hydraulics are not available with ATC Option.



Item No.	Part No.	Description	3/G2228D/LM 3/G7228D/LM
1	002-301526-	Support-Platform	2
2	001-305032-	Platform	1
3	001-048015-	iMeter Assy	1
4	003-921087-	Pulser, WIP iGEM	1
5	002-047855-	Casting, Filter Strainer	2
6	888616-001	O-Ring, 1.386 ID Filter Body Outlet	2
7	888612-001	O-Ring, 4.055 ID Meter Bottom Seal	2
8	001-300967-	Strainer Element	2
9	002-509655-	Plug, 1" NPT Socket Head	2
10	001-921130-	O-Ring, Double Bump Tube	12
11	890543-001	Lockpin Kit, 7/8" Tube	12
12	001-305538-	Discharge Tube, Side A, Valve 1	1
13	001-305555-	Discharge Tube, Side A, Valve 5	1
14	890587-001	Valve & Conduit, Side A, Valve 1	1
15	890585-001	Valve & Conduit, Side A, Valve 5	1
16	001-305467-	Cage Assy W/ Plug	1
17	001-305466-	Check Valve Assy	1
18	002-305039-	Cross-Over Tube	1
19	001-305012-	Adapter Casting	1
20	000-905817-	O-Ring, Solenoid Valve	6
21	000-126042-	Nipple	2
22	001-301511-	Manifold Discharge Casting	3
23	001-301498-	Outlet Casting	2
24	002-305646-	Filter Adapter (For 400 Series)	2
25	001-305647-	Gasket, Filter Adapter	2
26	003-921487-	Filter, 30 Micron, Hydrosorb, 400 Series	2
27	009-127756-	Inlet Pipe Nipple, 1-1/2" x 9"	2
28	001-305628-	1-1/2" NPT, 3-Bolt Flange Adapter	4
29	000-108380-	Gasket, 3-Bolt Flange Adapter	6
30	001-305624-	Inlet Manifold Casting Assy	1
31	890062-001	Discharge Tube, Sat, Side A, Valve 1	1
32	890056-001	Discharge Tube, Sat, Side A Upper, Valve 5	1
33	890061-001	Discharge Tube, Sat, Side A Lower, Valve 5	1
34	001-306201-	Inlet Tube, Sat	1
35	001-306202-	Inlet Tube, Sat	1
36	001-306127-	3/4" NPT Ball Valve Assy	1
37	000-129762-	Washer-Flare	2
38	001-305837-	U-Bolt	2
39	001-306047-	Support, Manifold Casting, Hose 1	1
40	002-306047-	Support, Manifold Casting, Hose 2	1
41	002-301511-	Manifold, Satellite Casting	1
42	004-301923-	Proportional Valve	2
43	890115-001	Conduit, Sat Valve	1
44	001-306200-	Conduit, Sat Valve	1
45	889289-001	Bracket, Ball Valve, Sat 1 (Not Shown)	1
46	889290-001	Bracket, Ball Valve, Sat 2 (Not Shown)	1

**Models:** 3/G7228D/CLM  
3/G2228D/CLM

These hydraulics always have the ATC Option  
(Canada Only).



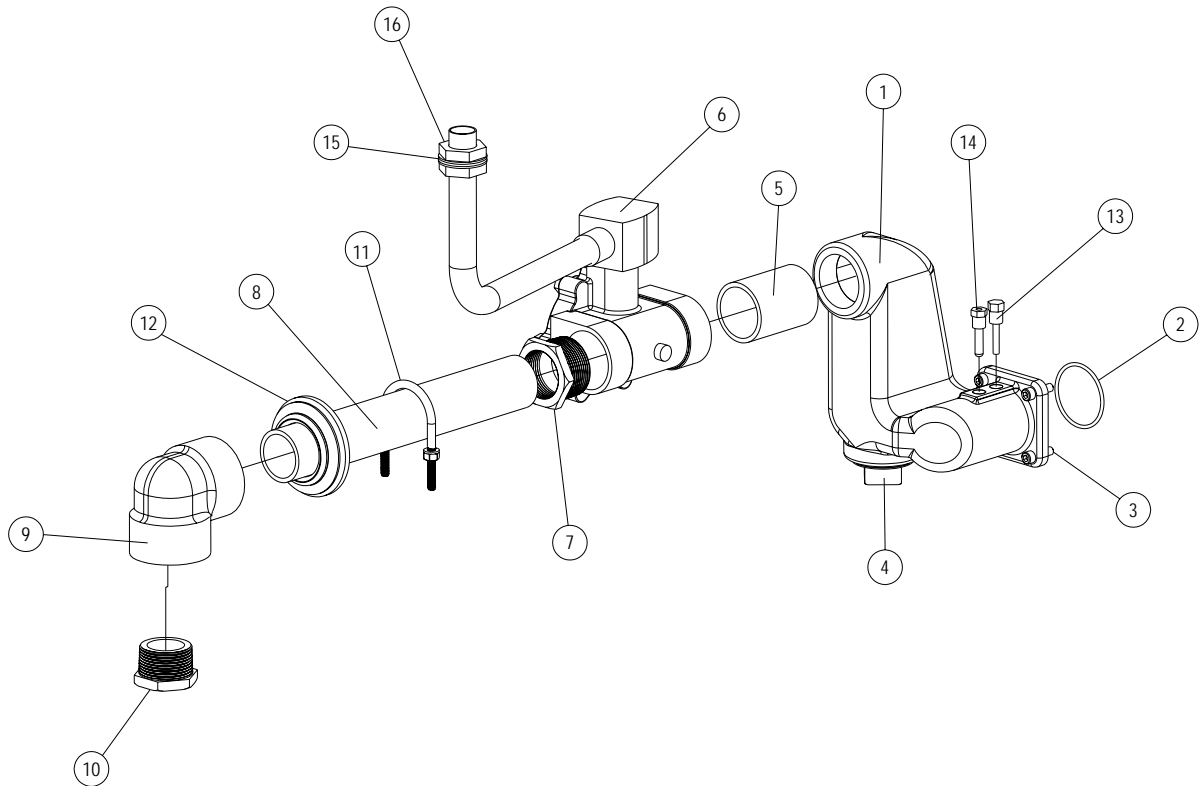
*Hydraulics, Super High Capacity Master/Satellite*

Item No.	Part No.	Description	3/G2228D/CLM 3/G7228D/CLM
1	002-301526-	Support-Platform	2
2	001-305032-	Platform	1
3	001-048036-	iMeter Assy, Single-sided	2
4	003-921087-	Pulser, WIP iGEM	2
5	002-047855-	Casting, Filter Strainer	2
6	888616-001	O-Ring, 1.386 ID Filter Body Outlet	2
7	888612-001	O-Ring, 4.055 ID Meter Bottom Seal	4
8	001-300967-	Strainer Element	2
9	002-509655-	Plug, 1" NPT Socket Head	2
10	001-921130-	O-Ring, Double Bump Tube	12
11	890543-001	Lockpin Kit, 7/8" Tube	12
12	001-305538-	Discharge Tube, Side A, Valve 1	1
13	001-305539-	Discharge Tube, Side A, Valve 2	1
14	890587-001	Valve & Conduit, Side A, Valve 1	1
15	890588-001	Valve & Conduit, Side B, Valve 2	1
16	000-905817-	O-Ring, Solenoid Valve	4
17	000-126042-	Nipple	2
18	001-301511-	Manifold Discharge Casting	3
19	001-301498-	Outlet Casting	2
20	002-305646-	Filter Adapter (For 400 Series)	2
21	001-305647-	Gasket, Filter Adapter	2
22	003-921487-	Filter, 30 Micron, Hydrosorb, 400 Series	2
23	009-127756-	Inlet Pipe Nipple, 1-1/2" x 9"	2
24	001-305628-	1-1/2" NPT, 3-Bolt Flange Adapter	4
25	000-108380-	Gasket, 3-Bolt Flange Adapter	6
26	002-305624-	Inlet Manifold Casting Assy, ATC	1
27	888841-001	Brass Fitting Well, ATC Option (Not Shown)	1
28	889565-002	Thermistor Probe, ATC Option (Not Shown)	1
29	001-305523-	Discharge Tube, Sat, Hose 1, Valve 1	1
30	001-306128-	Discharge Tube, Sat Hose 1 Upper, Valve 2	1
31	002-306128-	Discharge Tube, Sat Hose 1 Lower, Valve 2	1
32	001-306201-	Inlet Tube, Sat	1
33	001-306202-	Inlet Tube, Sat	1
34	001-306127-	3/4" NPT Ball Valve Assy	1
35	000-129762-	Washer-Flare	2
36	001-305837-	U-Bolt	2
37	001-306047-	Support, Manifold Casting, Hose 1	1
38	002-306047-	Support, Manifold Casting, Hose 2	1
39	002-301511-	Manifold, Satellite Casting	1
40	890524-001	Proportional Valve	2
41	890115-001	Conduit, Sat	1
42	001-306200-	Conduit, Sat	1
43	889289-001	Bracket, Ball Valve (Not shown)	1
44	889290-001	Bracket-L, Ball Valve (Not Shown)	1

## UHC Discharge Module

Models: 3/G723XD

3/G223XD



Additional Hydraulic Components for the UHC models are shown on pages 55 and 57.

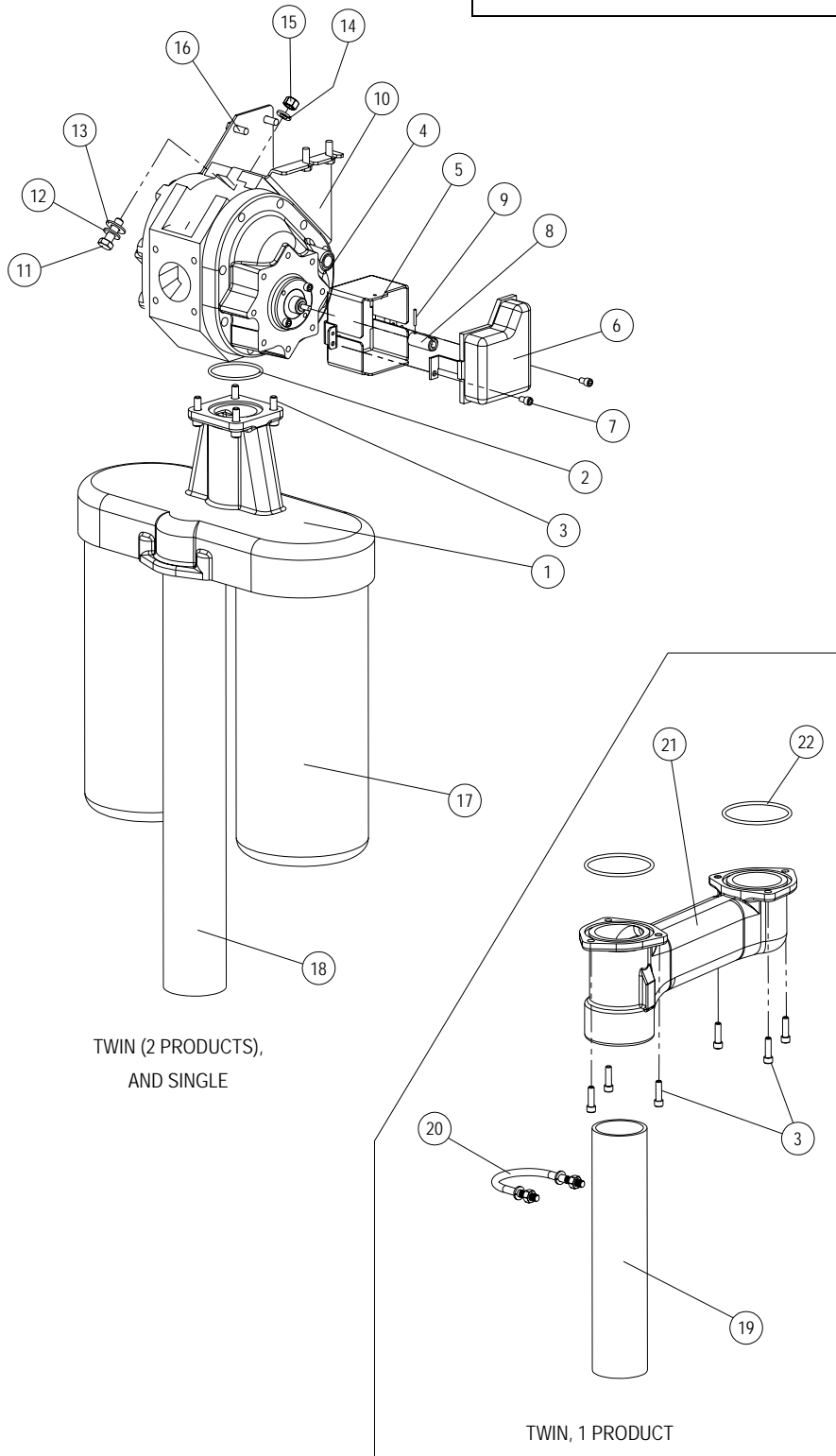


Item No.	Part No.	Description
1	890254-001	Casting, Meter Outlet (W/O ATC Probe & Test Well Holes)
	890254-002	Casting, Meter Outlet (W/ ATC Probe & Test Well Holes)
2	889559-002	O-Ring, Meter Outlet
3	000-916851	Screw, 1/4-20x7/8" ZP
4	150-509655	Pipe Plug, 1-1/2NPT
5	002-127756-500	Pipe Nipple, 1-1/2NPT X 2-1/2"
6	890632-001	Sol Valve Assy, UHC (Includes Valve & Potted Conduit)
7	890458-001	Hex Bushing, 1-1/2 X 1-1/4
8	890462-010-500	Pipe Nipple, 1-1/4NPT X 10-1/2"
9	890459-001	Pipe Elbow, 1-1/4NPT F/F
10	890258-001	Hex Bushing, 1-1/4NPT X 1NPT
11	003-127422	U-Bolt, 1-1/4" Pipe
12	890638-001	Rubber Grommet, 1-1/4" Pipe
13	889565-001	ATC Thermistor Probe (ATC Only)
14	888841-001	Thermal Well Brass Fitting (ATC Only)
15	000-126817	Washer, 1/2" Conduit
16	005-129498	Nut, 1/2" Conduit

### UHC Meter & Filter Assembly

Models: 3/G723XD  
3/G223XD

Additional Hydraulic Components for the UHC models are shown on pages 53 and 57.

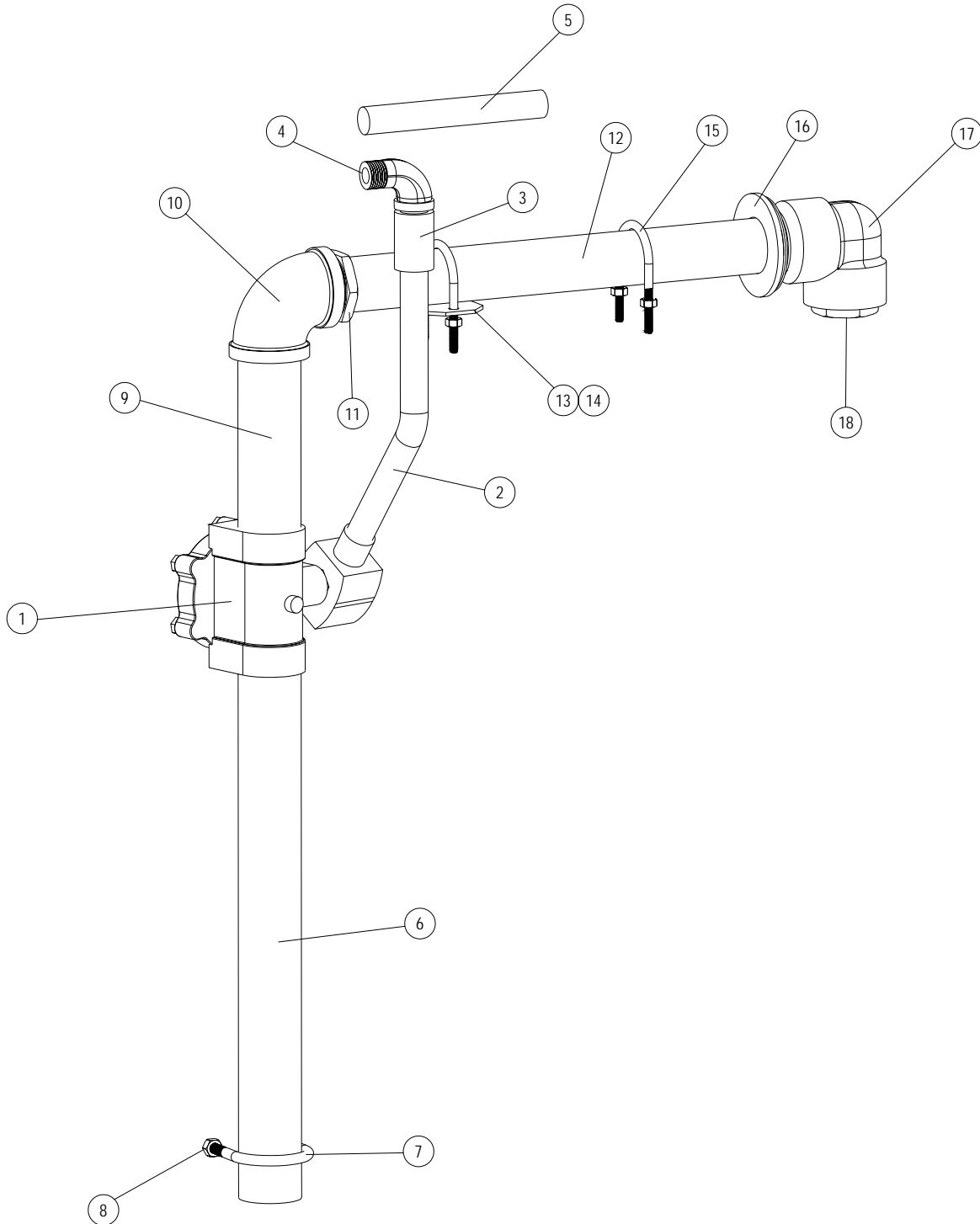


Item No.	Part No.	Description
1	890250-001	Casting, Dual Filter
2	889559-002	O-Ring, Meter Inlet
3	000-916851-	Screw, 1/4-20x7/8" ZP
4	890461-001	Meter, LC M5
5	890456-001	Bracket, Pulser LC
6	001-300817-	Pulser, Wayne Optical
7	889854-001	Screw, Pulser To LC Bracket
8	890460-001	Coupler, Pulser To LC
9	002-907694-	Pin, 3/32dia X 5/8, T/5 Groove
10	890452-001	Bracket, LC Meter
11	000-507054-	Screw, 5/16-18x1"HHC
12	000-904314-	Washer, 5/16 Flat
13	000-511781-	Washer, Flat 3/8", Zp
14	000-902017-	Washer, 5/16 Split Lock
15	000-509584-	Nut, 5/16
16	000-918513-	Screw, 1/4" X 5/8" Siftap
17	890255-001	Filter, 800-30 Spin-On
18	890466-017-	Pipe, 2"NPTx 17" (Single, Tw2 Inlet)
19	890466-012-500	Pipe Nipple, 2"NPT X 12-1/2" (Tw1 Inlet)
20	004-127422-	U-Bolt, 2" Pipe
21	890253-001	Manifold, TW1 UHC
22	000-123466-	O-Ring, UHC Manifold Outlets

### UHC Satellite Combo Components

Models: 3/G7238D/LM  
3/G2238D/LM

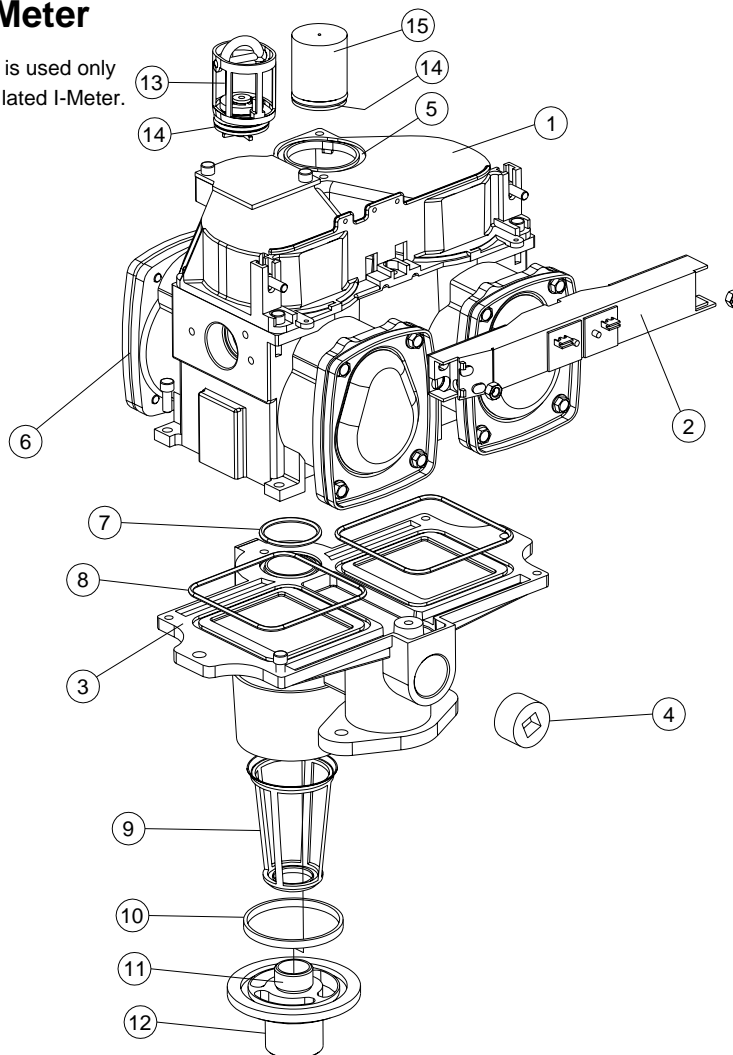
Additional Hydraulic Components for the UHC models are shown on pages 53 and 55.



Item No.	Part No.	Description
1	890842-001	Sol Valve, Asco 1-1/2"NPT, 24v
2	890843-001	Conduit, Satellite Combo
3	001-218941-	Conduit Union
4	001-124856-	Conduit Elbow, 1/2"X90°
5	001-305582-	Satellite ISB
6	016-127756-750	Pipe Nipple, 1-1/2NPT X 16-3/4", Galv
7	002-127422-	U-Bolt, 1-1/2" Pipe
8	000-509584-	Nut, 5/16-18 Hex (For U-Bolt)
9	006-127756-500	Pipe Nipple, 1-1/2NPT X 6-1/2", Galv
10	000-508894-	Pipe Elbow, 1-1/2NPT, F/F
11	890458-001	Hex Bushing, 1-1/2 X 1-1/4
12	890462-016-	Pipe Nipple, 1-1/4NPT X 16"
13	890628-001	Bracket, Discharge
14	000-918513-	Screw, 1/4" X 5/8"
15	003-127422-	U-Bolt, 1-1/4" Pipe
16	890638-001	Rubber Grommet, 1-1/4" Pipe
17	890459-001	Pipe Elbow, 1-1/4NPT F/F
18	890258-001	Hex Bushing, 1-1/4NPT X 1NPT

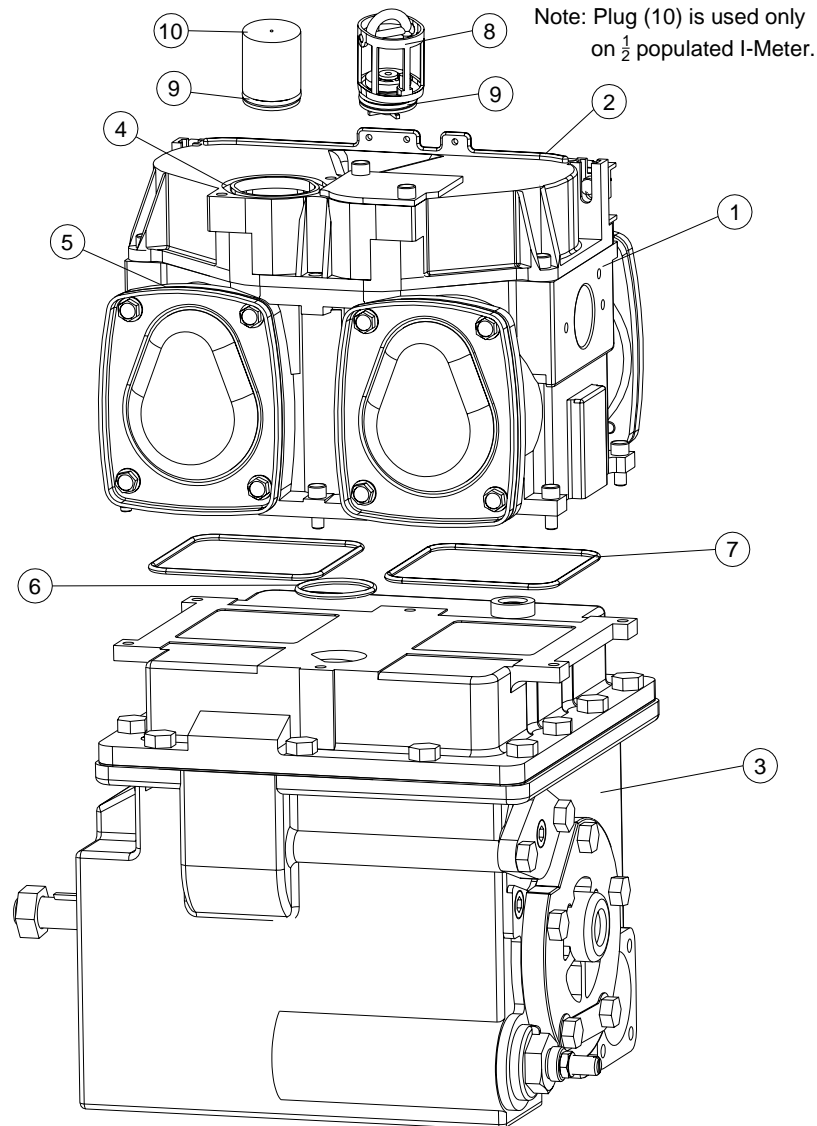
## Remote Dispenser iMeter

Note: Plug (15) is used only on 1/2 populated I-Meter.



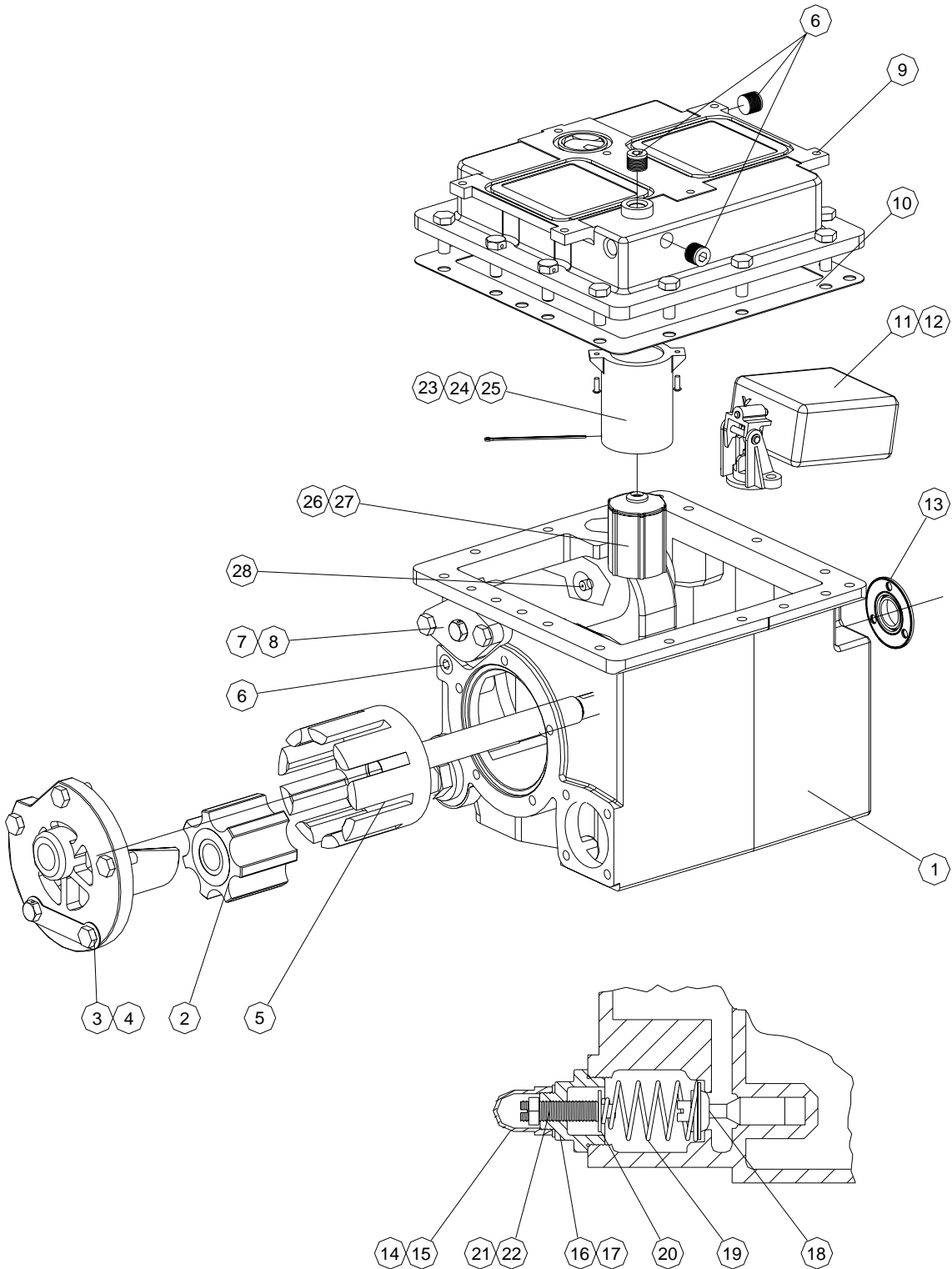
Item No.	Part No.	Description	Qty
1	001-048036-	iMeter Assy, Single-Sided	1
	006-048036-	i-Meter Assy, Single-Sided, Tapped for ATC	1
	001-048015-	iMeter Assy	1
	008-048015-	iMeter Assy, Tapped for ATC	1
2	003-921087-	Pulser, WIP iGEM	1
3	002-047855-	Casting, Filter Strainer	1
4	002-509655-	Plug, 1" NPT Socket Head	1
5	888614-001	O-Ring, 1.929 ID Meter Top Seal	2
6	000-120406-	O-Ring, Meter End Cap	4
7	888616-001	O-Ring, 1.386 ID Filter Body Outlet	1
8	888612-001	O-Ring, 4.055 ID Meter Bottom Seal	2
9	001-300967-	Strainer Element	1
10	001-305647-	Gasket, Filter Adapter	1
11	000-126042-	Nipple	1
12	002-305646-	Filter Adapter (For 400 Series)	1
13	001-300954-	Check Valve Assy (2 on Dual i-Meter, 1 on 1/2-Populated i-Meter)	1 or 2
14	888613-001	O-Ring, 1.268 ID x .118	2
15	002-201998-	Check Valve Plug (0 on Dual i-Meter, 1 on 1/2 Populated i-Meter)	0 or 1
16	888841-001	Brass Fitting Well, ATC Option (Not Shown)	0 or 1
17	889565-002	Thermistor Probe, ATC Option (Not Shown)	0 or 1

## Suction Dispenser iMeter



Item No.	Part No.	Description	Qty
1	001-048036	iMeter Assy, Single-Sided	1
	006-048036-	iMeter Assy, Single-Sided, Tapped for ATC	1
	001-048015-	iMeter Assy	1
	008-048015-	iMeter Assy, Tapped for ATC	1
2	003-921087-	Pulser, WIP iGEM	1
3	006-048018-	Compact Pump, 2.5mm Orifice, Select	1
	001-048018-	Compact Pump, Std Orifice, Century	1
4	888614-001	O-Ring, 1.929 ID Meter Top Seal	2
5	000-120406-	O-Ring, Meter End Cap	4
6	888616-001	O-Ring, 1.386 ID Filter Body Outlet	1
7	888612-001	O-Ring, 4.055 ID Meter Bottom Seal	2
8	001-300954-	Check Valve Assy (2 on Dual iMeter, 1 on 1/2-Populated iMeter)	1 or 2
9	888613-001	O-Ring, 1.268 ID x .118	2
10	002-201998-	Check Valve Plug (0 on Dual iMeter, 1 on 1/2-Populated iMeter)	0 or 1
11	888841-001	Brass Fitting Well, ATC Option (Not Shown)	0 or 1
12	889565-002	Thermistor Probe, ATC Option (Not Shown)	0 or 1

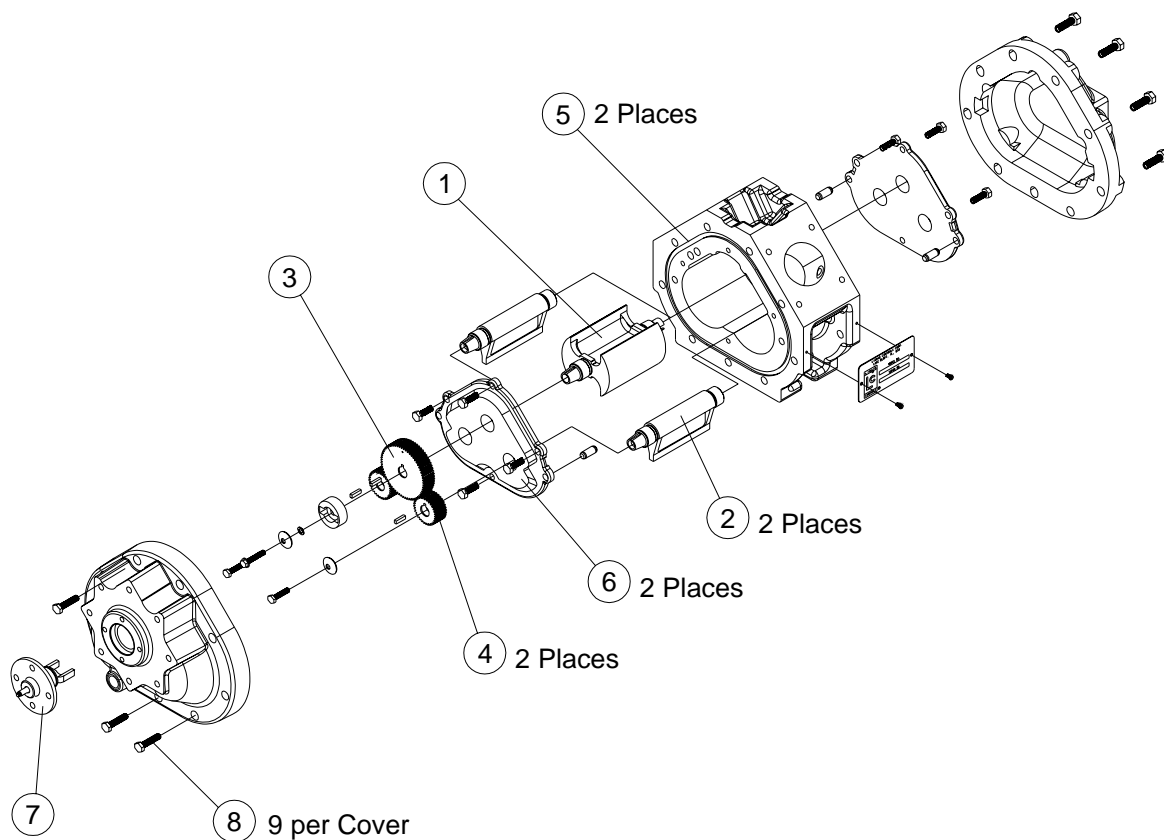
# Compact Pumping Unit





Item No.	Part No.	Description
1	006-048018-	Compact Pump, 2.5mm Orifice, Select
	001-048018-	Compact Pump, Std Orifice, Century
2	001-301656-	Idler
3	004-121971-	Head Assembly
4	002-118864-	O-Ring, Head Seal
5	011-028695-	Rotor And Shaft Assembly
6	002-512353-	Pipe Plug
7	002-918623-	O-Ring, End Cap Seal
8	003-300302-	End Cap
9	002-047856-	Pump Cover
10	000-300295-	Gasket, Cover
11	007-028393-	Float, Lower Assembly
12	000-916231-	O-Ring, Lower Float Assembly
13	003-121701-	Lip Seal
14	003-118877-	Seal Cap, Bypass Valve
15	000-129885-	Gasket, Seal Cap
16	002-118875-	Cap, Bypass Valve
17	002-905871-	O-Ring, Bypass Valve
18	002-118838-	Bypass Valve
19	000-118824-	Spring, Bypass Valve
20	000-118857-	Flat Washer, Bypass Valve
21	000-118860-	Adjusting Screw
22	000-118861-	Hex Nut
23	001-201951-	Tube, Float Guide
24	001-921037-	Drive Pin
25	001-921038-	Cotter Pin
26	001-301156-	Float
27	000-129883-	V-Ring
28	000-129881-	Orifice, 2.5mm Air Eliminator

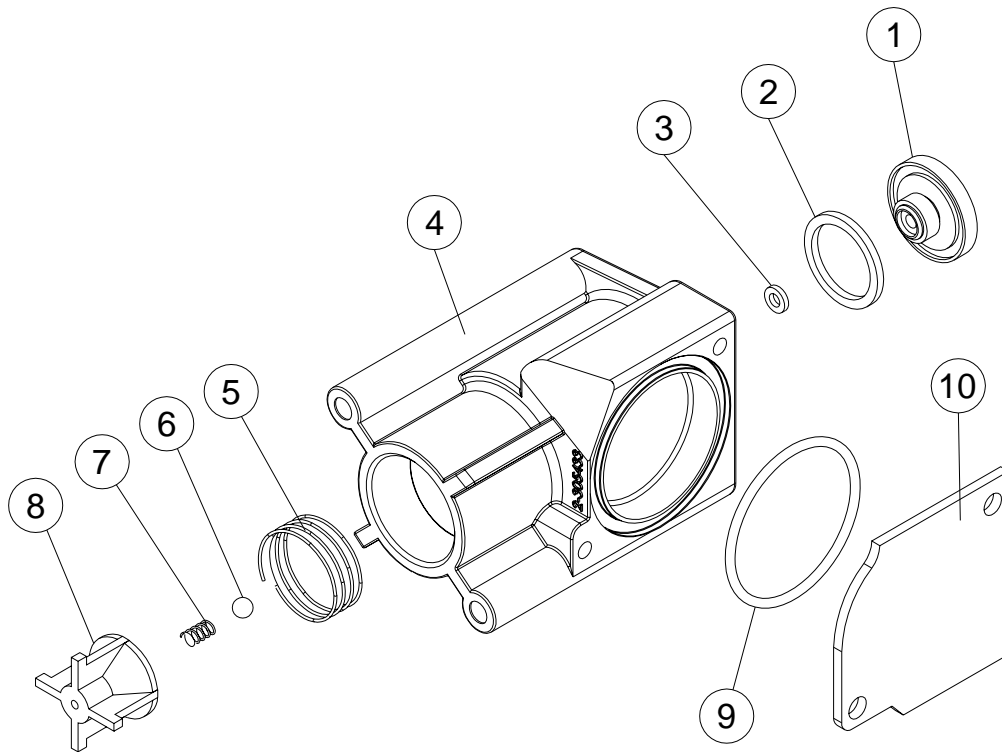
## LC M-5 Meter



Meter Assembly 890461-001		
Item No.	Part No.	Description
1	890899-001	Blocking Rotor
2	890899-002	Displacement Rotor
3	890899-003	Gear, Blocking Rotor
4	890899-004	Gear, Displacement Rotor
5	890899-005	O-Ring, Cover Seal
6	890899-006	Bearing Plate
7	890899-007	Packing Gland Assy.
8	890899-008	Screw, Cover

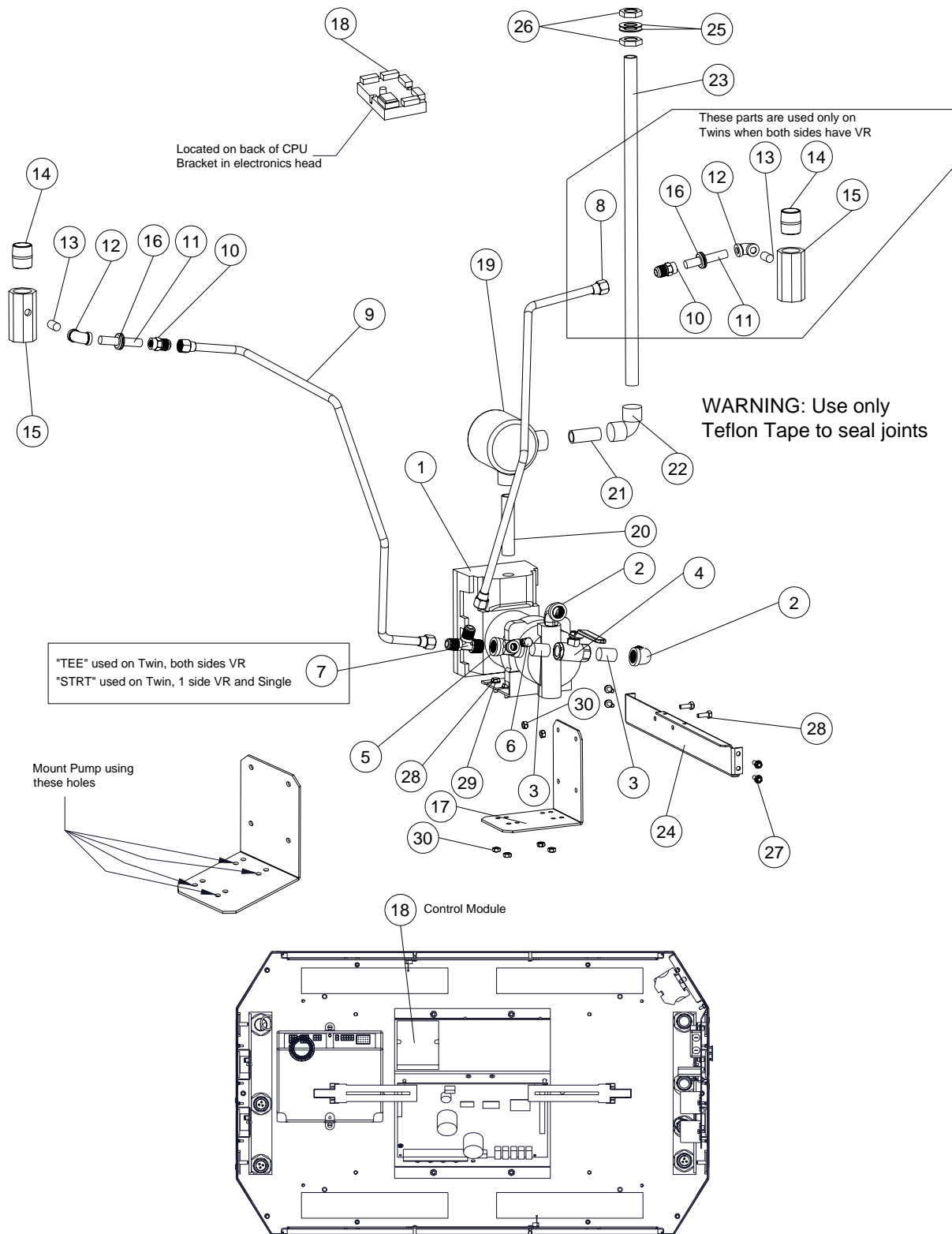
*Note: If there is a problem with the meter during the warranty period, the entire meter assembly (p/n 890461-001) should be replaced by the ASO. After the warranty period, individual meter parts may be replaced.*

**Check Valve Assembly (iMeter with Top Inlet)**



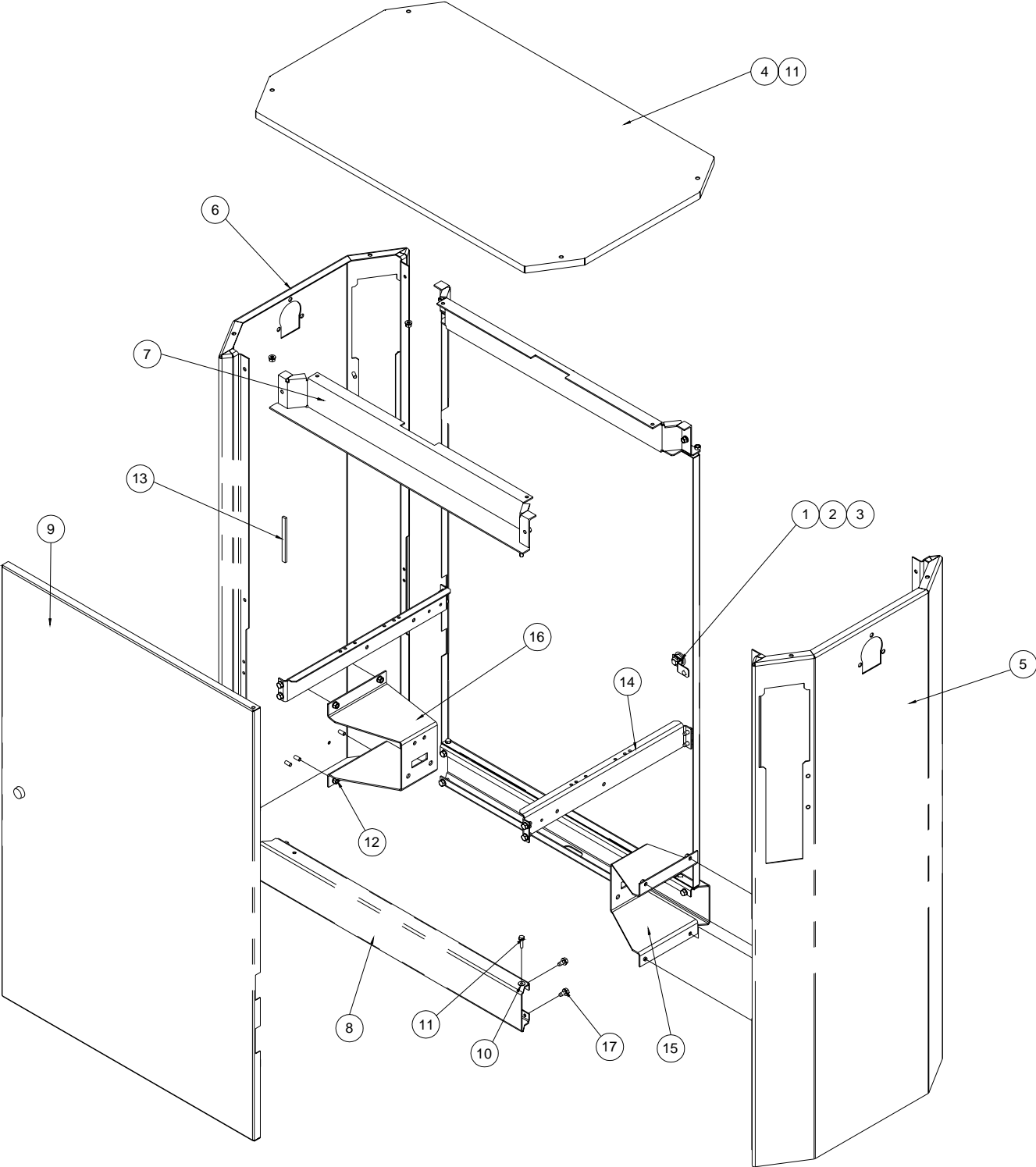
001-305466-		Check Valve Assembly
002-305466-		Check Valve Assembly w/ ATC holes
Item No.	Part No.	Description
1	000-300311-	Poppet, Check Valve
2	001-921035-	O-Ring
3	001-921034-	O-Ring
4	002-305433-	Check Valve Body
5	002-129873-	Spring
6	000-129875-	Ball
7	000-129874-	Spring
8	000-300310-	Body, Check Valve
9	001-921312-	O-Ring
10	001-201943-	Cover, Check Valve
11	001-921053-	Screw, M6x1x16mm (Not Shown)
12	888841-001	Brass Fitting Well, ATC Option (Not Shown)
13	889565-002	Thermistor Probe, ATC Option (Not Shown)

# Healy Vapor Recovery Option



Item No.	Part No.	Description	Single	Twin, One Side	Twin, Two Sides
1	890316-001	Healy Vacuum Pump	1	1	1
2	890808-001	Street El, 1/2" NPT Galv Iron	2	2	2
3	890809-001-125	Pipe Nipple, 1/2" NPT X 1.13"	2	2	2
4	890810-001	Ball Valve	1	1	1
5	890811-001	Tee, NPT, 1/2" X 1/4" X 1/2"	1	1	1
6	002-118839-	Plug, 1/4"	1	1	1
7	890812-001	Tee, 1/2" NPT X 1/2" Flare X 1/2" Flare			1
	890833-001	Strt Adapter, 1/2" NPT To Flare 1/2"	1	1	
8	890412-001	Tube Assy, Right (Twin)			1
9	890413-001	Tube Assy, Left (Single & Twin)	1	1	1
10	890815-001	Strt Adapter, 1/4" NPT X 1/2" Od	1	1	2
11	890813-003	Pipe Nipple, 1/4" X 3"	1	1	2
12	890816-001	EII, 1/4" NPT X 1/4" NPT	1	1	2
13	890813-000-875	Pipe Nipple, 1/4" NPT X .875"	1	1	2
14	001-128063-500	Nipple, 1 X 1-1/2"	1	1	2
15	890822-001	VR Adapter, Healy CX6-A	1	1	2
16	890817-001	Grommet, Rubber 9/16" ID	1	1	2
17	890463-001	Bracket, Healy Vacuum Pump	1	1	1
18	890316-002	Healy Wire Harness/MC100	1	1	1
19	890819-001	Jbox, Killark	1	1	1
20	004-128005-	Conduit Nipple, 1/2" X 4"	1	1	1
21	002-128005-	Conduit Nipple, 1/2" X 2"	1	1	1
22	000-508995-	Elbow F/F 1/2"	1	1	1
23	890821-002	Potted Conduit Assy	1	1	1
24	002-301526-	Support-Platform	2	2	2
25	000-126817-	Washer	2	2	2
26	005-129498-	Locknut, Conduit	2	2	2
27	000-918513-	Screw, Self-Tapping	4	4	4
28	000-507295-	Bolt, 1/4-20 X 3/4"	6	6	6
29	000-905245-	Washer, 1/4"	6	6	6
30	000-513317-	Nut, 1/4-20	6	6	6
31	012-128243-	Decal, Nozzle Label	1	1	1
32	890830-001	Decal, Healy EVR	1	1	1
33	000-920849-	Manual, Healy EVR I/O	1	1	1

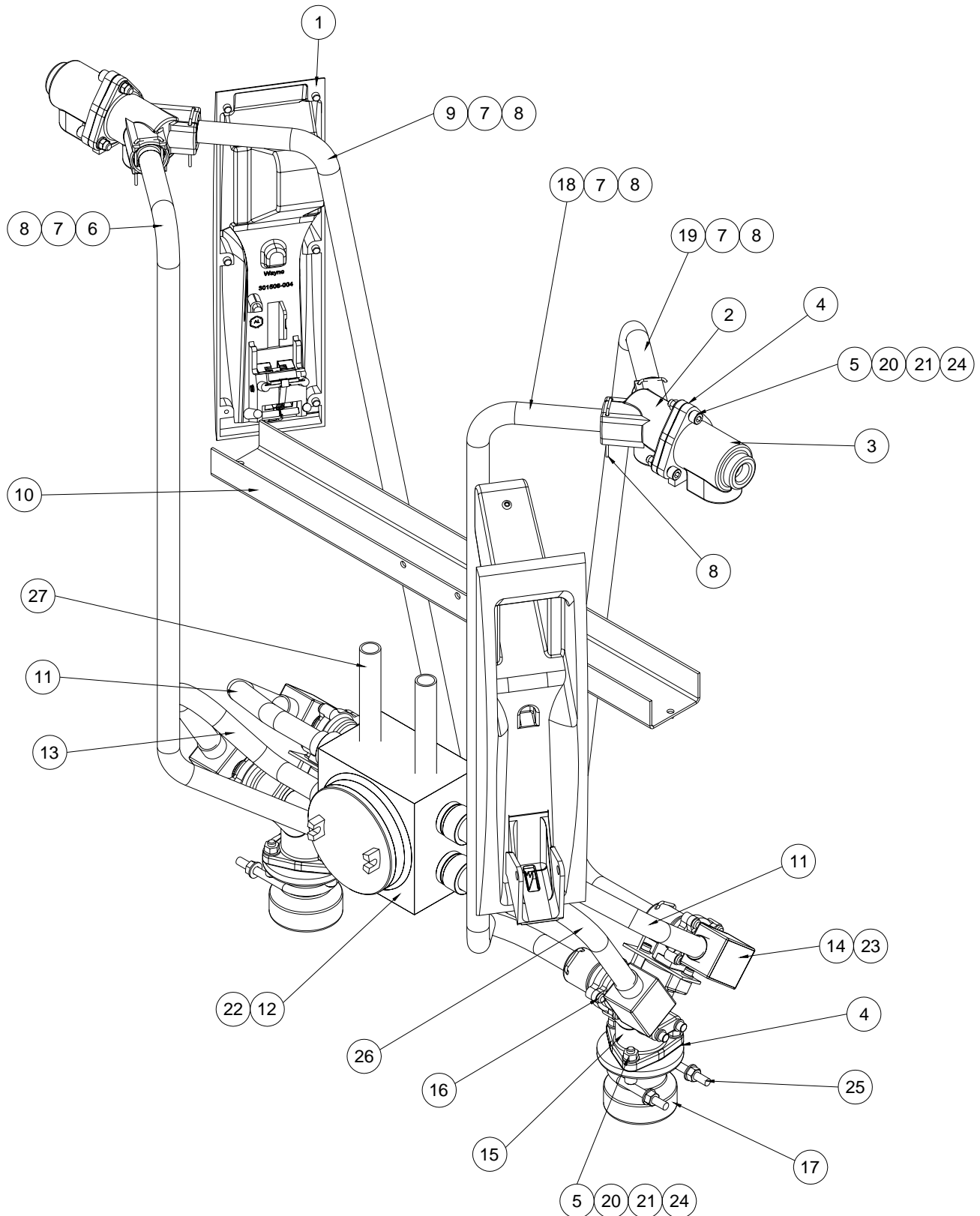
**Models:** 3/G7007/LR, 3/G7008/L  
3/G2007/LR, 3/G2008/L



**Color Designation:** When specifying part number, replace "-XXX" suffix with the appropriate three character color designation. Standard silver for a Select is "A17". Standard blue for a Select is "B12". Standard grey for a Century is "F81". Standard black is "J21". For other colors, consult the factory.

Item No.	Part No.	Description	3/G7007D/LR	3/G7008D/L	3/G2007D/LR	3/G2008D/L
1	000-127417-	Lock & Key	2	2	2	2
2	000-128993-	Button Head Dart	4	4	4	4
3	001-301208-	Latch, Door Lock	2	2	2	2
4	001-301514-XXX	Top Cover	1	1	1	1
5	001-306206-XXX	Side Column, Satellite Lane	1	2	1	2
6	002-305423-XXX	Side Column, Satellite Blank	1		1	
7	004-305424-XXX	Ad Panel, Flat Door	2	2		
	005-305424-XXX	Ad Panel, Diamond Door			2	2
8	001-047941-XXX	Base Half	2	2	2	2
9	001-047938-XXX	Door, Flat, Painted	2	2		
	002-047938-	Door, Flat, SS	2	2		
	001-305591-XXX	Door, Diamond, Painted			2	2
	002-305591-	Door, Diamond, SS			2	2
10	001-921115-	Well Nut	2	2	2	2
11	001-921117-	Screw, M5x8	2	2	2	2
12	882666-014	Nut, M6	12	16	12	16
13	005-129818-	Gasket	6	6	6	6
14	002-301526-	Support-Platform	2	2	2	2
15	002-306047-	Support, Manifold Casting, Side A	1	1	1	1
16	001-306047-	Support, Manifold Casting, Side B		1		1
17	000-918513-	Screw, Self-Tapping	16	16	16	16

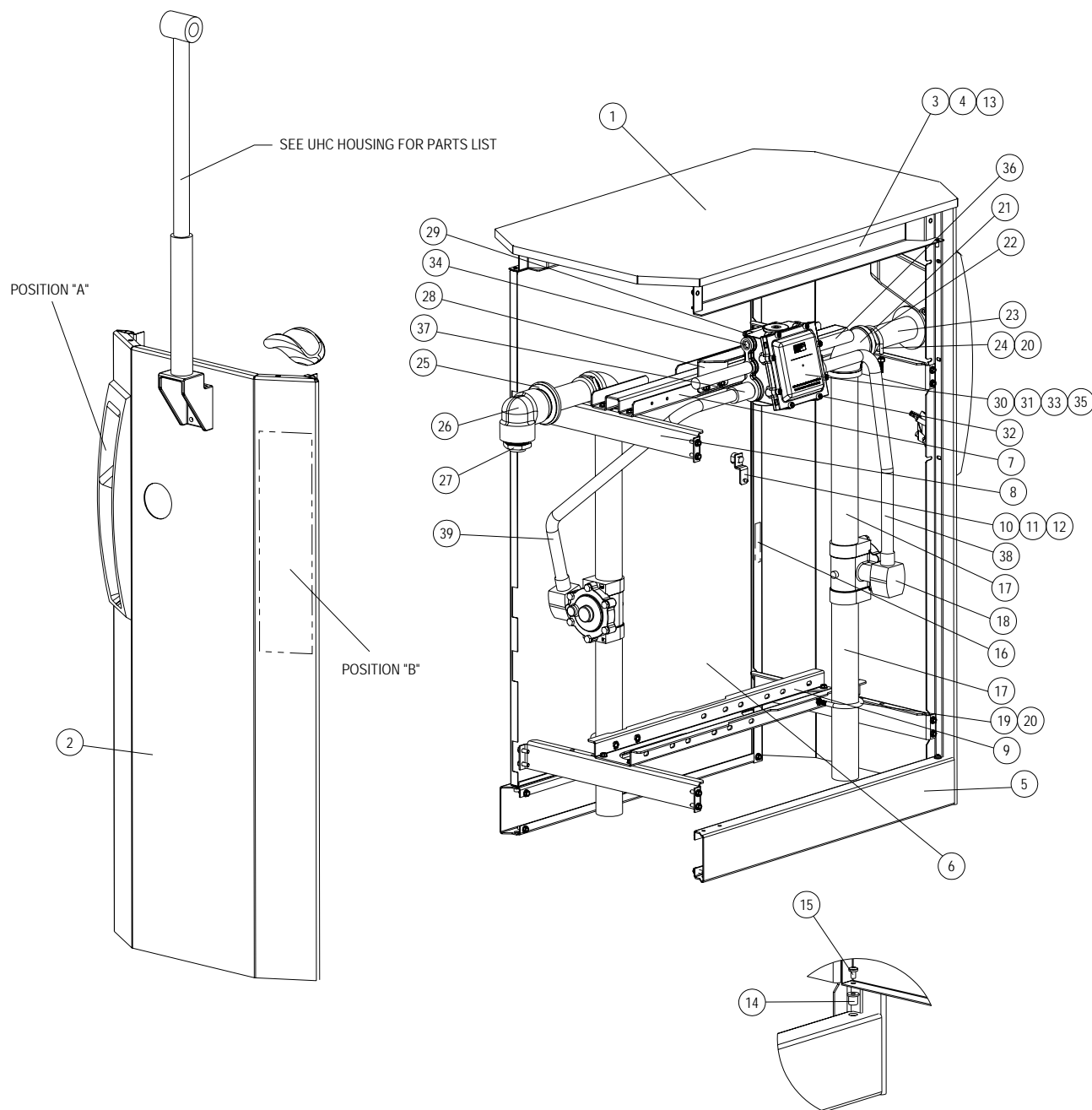
**Models: 3/G7007/LR, 3/G7008/L  
3/G2007/LR, 3/G2008/L**





Item No.	Part No.	Description	3/G2007D/LR 3/G7007D/LR	3/G2008D/L 3/G7008D/L
1	005-306362-	Nozzle Boot Assy (See "Nozzle Boot Assembly" For Complete Breakdown)	1	2
2	001-301511-	Manifold Casting, Outlet	1	2
3	001-301498-	Outlet Casting, SHC	1	2
4	000-108380-	Gasket	1	2
5	001-921269-	Screw, M8x35mm	6	12
6	001-306208-	Tube, Discharge 10	0	1
7	001-921130-	O-Ring, .850"X.210", Discharge Tube	4	8
8	890543-001	Kit, .125 Lockpin	4	8
9	001-306207-	Tube, Discharge 9	0	1
10	001-305572-	Support, J Box	1	1
11	001-306209-	Conduit, Valve 9	2	2
12	002-305573-	J Box	1	1
13	001-306210-	Conduit, Valve 10	0	1
14	004-301923-	Proportional Valve	2	4
15	002-301511-	Manifold Casting, Inlet	1	2
16	001-921053-	Screw, M6x1x16mm	4	8
17	001-305628-	Flange, Inlet	1	2
18	002-306208-	Tube, Discharge 12	1	1
19	002-306207-	Tube, Discharge 11	1	1
20	001-921342-	Washer, Flat M8	6	12
21	001-921341-	Washer, Spring M8	6	12
22	001-921219-	Screw, M6x12mm	2	2
23	000-905817-	O-Ring, 1"Idx1-1/4"OD, Valve	2	4
24	001-921340-	Hex Nut, M8	6	12
25	001-305837-	U-Bolt	1	2
26	889771-001	Conduit, Valve 11	1	2
27	001-305582-	ISB, Satellite	1	2

**Models: 3/G7037/LR, 3/G7038/L, 3/G7039/LR  
3/G2037/LR, 3/G2038/L, 3/G2039/LR**



**Color Designation:** When specifying part number, replace "-XXX" suffix with the appropriate three character color designation. Standard silver for a Select is "A17." Standard blue for a Select is "B12." Standard grey for a Century is "F81." Standard black is "J21." For other colors, consult the factory.

Item No.	Part No.	Description	3/G7037/LR	3/G7038/L	3/G7039/LR	3/G2037/LR	3/G2038/L	3/G2039/LR
1	001-301514-XXX	Top Cover	1	1	1	1	1	1
2	890465-001-XXX	Side Column, Blank (No Boot)	1			1		
	890465-002-XXX	Side Column, Right Side (Nozzle Boot In Position A)		2	1		2	1
	890465-003-XXX	Side Column, Left Side (Nozzle Boot In Position B)			1			1
3	004-305424-XXX	Ad Panel Retainer For Flat Door	1	1	1			
	005-305424-XXX	Ad Panel, Retainer For Diamond Door				1	1	1
4	SEE "Housing, Exterior Trim, & Hose Handling" SECTION FOR DECAL	Product ID Decal, Wide (1 Decal Per Panel)	1	2		1	2	
		Product ID Decal, Short (2 Decals Per Panel)			2			2
5	001-047941-XXX	Base Half	2	2	2	2	2	2
6	001-047938-XXX	Flat Door (Painted)	2	2	2			
	002-047938-	Flat Door (Stainless Steel)	2	2	2			
	001-305591-XXX	Diamond Door (Painted)				2	2	2
	002-305591-	Diamond Door (Stainless Steel)				2	2	2
7	890450-001	Platform	1	1	1	1	1	1
8	890451-001	Platform Rail	2	2	2	2	2	2
9	890453-001	Brace, UHC Inlet Pipes	1	1	1	1	1	1
10	000-127417-	Lock & Key	2	2	2	2	2	2
11	001-301208-	Latch, Door	2	2	2	2	2	2
12	000-128993-	Button Head Dart (1 On Door, 1 On Latch)	4	4	4	4	4	4
13	882666-014	Nut, M6 Keps	8	8	8	8	8	8
14	001-921115-	Well Nut, M5 (Lower Door Hinge)	2	2	2	2	2	2
15	001-921117-	Screw, M6x12mm (Lower Door Hinge)	2	2	2	2	2	2
16	005-129818-	Gasket (Door Cushion)	6	6	6	6	6	6
17	013-127756-750	Pipe Nipple, 1-1/2"NPTx13.75" Galv	2	4	4	2	4	4
18	890842-001	Solenoid Valve, 1-1/2" NPT	1	2	2	1	2	2
19	002-127422-	U-Bolt, 1-1/2" Pipe	1	2	2	1	2	2
20	000-509584-	Nut, 5/16-18 Hex (For U-Bolt)	2	4	4	2	4	4
21	000-508894-	Pipe Elbow, 1-1/2"NPT, F/F	1	2	2	1	2	2
22	890458-001	Hex Bushing, 1-1/2"X1-1/4"	1	2	2	1	2	2
23	890462-006-500	Pipe Nipple, 1-1/4NPTx6.5"	1	2	2	1	2	2
24	003-127422-	U-Bolt, 1-1/4" Pipe	1	2	2	1	2	2
25	890638-001	Rubber Grommet, 1-1/4" Pipe	1	2	2	1	2	2
26	890459-001	Pipe Elbow, 1-1/4NPT, F/F	1	2	2	1	2	2
27	890258-001	Hex Bushing, 1-1/4NPTx1NPT	1	2	2	1	2	2
28	890454-001	Bracket, Jbox, UHC	1	1	1	1	1	1
29	001-921219-	Screw, Jbox Mtg	2	2	2	2	2	2
30	003-306177-	Jbox, UHC	1	1	1	1	1	1
31	001-306180-	Jbox Cover	1	1	1	1	1	1
32	001-921053	Screw (Jbox Cover)	8	8	8	8	8	8
33	000-509655-	Plug, 1NPT (Bottom Of Jbox)	2	2	2	2	2	2
34	000-508919-	Plug, 1/2NPT, Hex Socket	5	3	3	5	3	3
35	001-921551-	Screw, M6x8mm Ground Green	1	1	1	1	1	1
36	001-305582-	ISB, Satellite	1	2	2	1	2	2
37	001-218941-	Expansion Conduit Union	1	2	2	1	2	2
38	890636-001	Conduit, Valve UHC Sat, Side 1	1	1	1	1	1	1
39	890637-001	Conduit, Valve UHC Sat, Side 2		1	1		1	1

