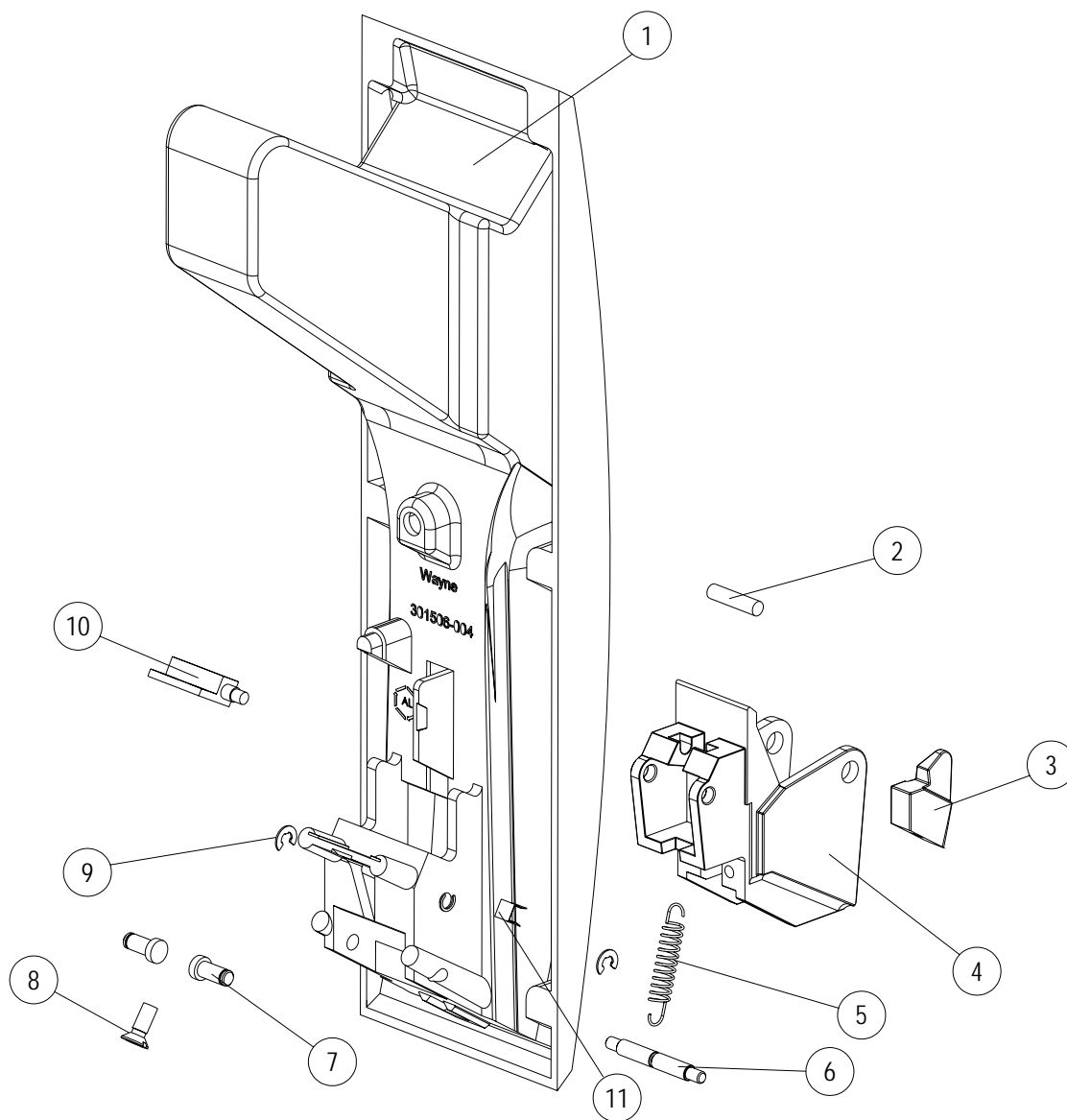
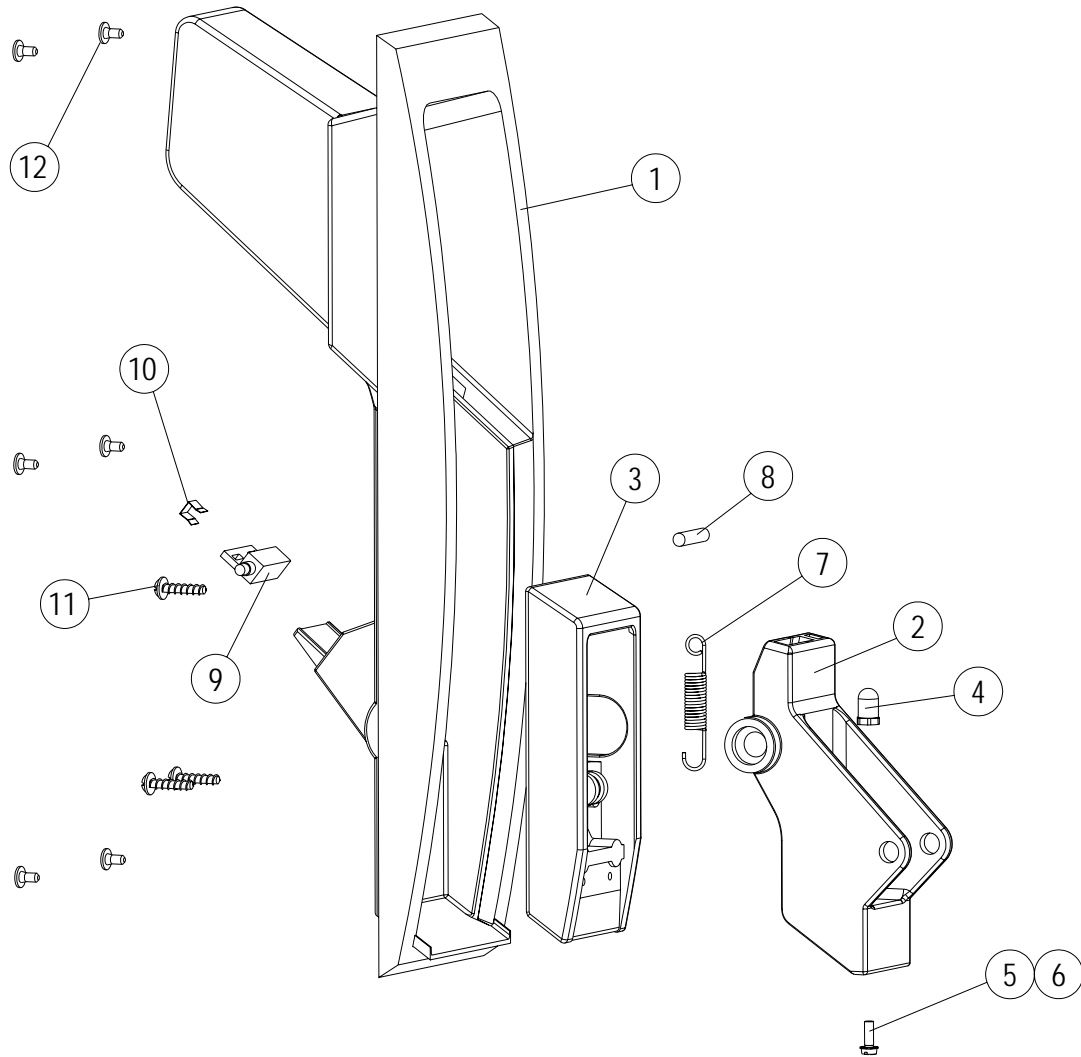


Nozzle Boot, Metal



| Aluminum Nozzle Boot Assembly, 002-301509- | | |
|--|-------------|--------------------------------|
| Item No. | Part No. | Description |
| 1 | 006-301506- | Nozzle Boot, Aluminum |
| 2 | 001-921023- | Magnet |
| 3 | 001-301504- | Nozzle Support |
| 4 | 001-301505- | Lever |
| 5 | 001-301423- | Spring |
| 6 | 001-301501- | Shaft |
| 7 | 001-301500- | Pin |
| 8 | 888939-001 | Screw, M5-0.8 X 12mm Flmsphsty |
| 9 | 000-921191- | E-Ring, 5mm |
| 10 | 001-201917- | Switch, Sensor-Proximity |
| 11 | 000-918913- | Retainer, U-Type |

Nozzle Boot, Plastic



| Plastic Nozzle Boot Assembly, 005-306362- | | |
|---|-------------|-----------------------------|
| Item No. | Part No. | Description |
| 1 | 001-306347- | Nozzle Boot, Plastic |
| 2 | 001-306395- | Lever |
| 3 | 001-306399- | Guide, Filler |
| 4 | 001-306434- | Nozzle Support Pin |
| 5 | 001-921351- | Screw, M4 X 8mm |
| 6 | 000-916736- | Lock Washer, #8 |
| 7 | 001-129953- | Spring |
| 8 | 000-918919- | Magnet |
| 9 | 001-201917- | Switch, Sensor-Proximity |
| 10 | 000-918913- | Retainer, U-Type |
| 11 | 000-918104- | Plascrew, #10-34 |
| 12 | 001-921313- | Screw, M4 X 8mm Flange Head |