



Description

The OEL8000II is a comprehensive tank-gauging and leak-detection system that can simultaneously monitor product levels, water levels, temperatures and leaks in up to 8 tanks. With advanced technology and enhanced features, the OEL8000II is suitable for a variety of gauging and leak-detection applications.

The OEL8000II accepts up to 44 of OMNTEC's Bright Eye (BX-Series) sensors for distinguishing product from water or for simply detecting the presence of liquid. A distinct advantage of Bright Eye sensors is that they are networked and utilize 4-wire buss technology.

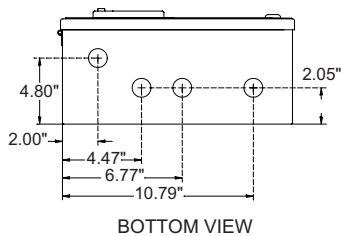
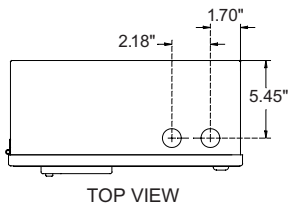
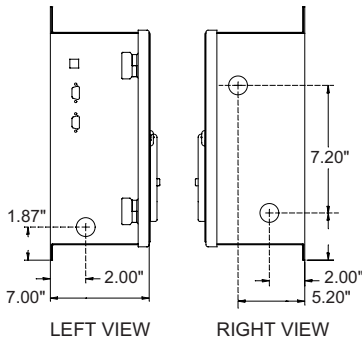
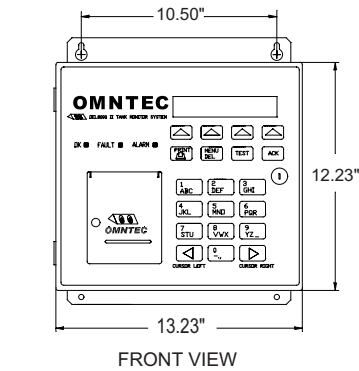
This system does not require sensor or probe input modules, bringing ease to the ordering and installation process. A built-in microprocessor gives each sensor the ability to identify itself and its location, which is displayed along with alarm conditions on the OEL8000II's 4-line by 40-character backlit LCD display.

With OMNTEC's proven reliability, the OEL8000II offers a comprehensive and user-friendly system, which will include continuous in-tank leak detection (CITLD) as an upgrade option.

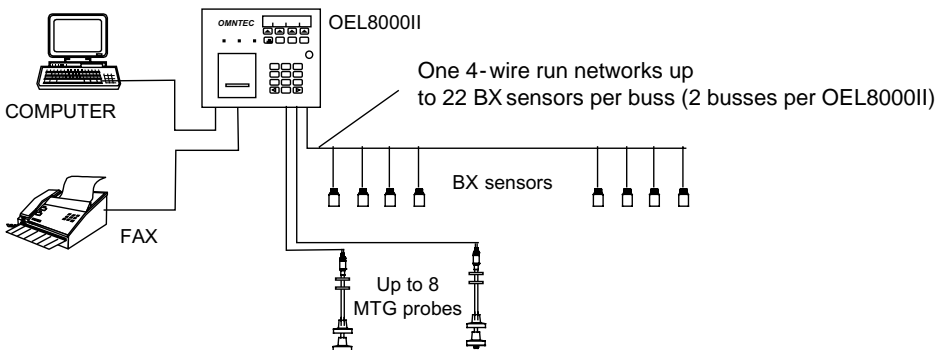
Features

- Accepts up to 8 magnetostrictive probes
- Accepts up to 44 Bright Eye sensors
- Sensors networked using state-of-the-art 4-wire buss technology
- 4 RS-232 ports
- 1 RS-485 port
- Fax/modem capability
- 4-line by 40-character backlit LCD display
- Accepts up to 6 interface boards
- Flash prom technology
- Compatible with OMNTECPC remote tank-inventory monitoring
- Battery-backed memory
- Requires no leak-sensor modules
- CITLD upgradable
- UL-listed, CUL-listed, CE-listed

OEL8000II



OEL8000II APPLICATION



Specifications

| | | | | | | | | | | | | | |
|--|--|------------|---------------------|--------|------------------------------------|--------|-----------------|-------|-----------------------|---------|-------------------------------------|--------|-----------------------------|
| Optional Features: | 36-character thermal printer Low-voltage programmable remote annunciators <ul style="list-style-type: none"> programmable remote time-out on high-level alarm flashing caution output Fax/Modem CITLD upgradable | | | | | | | | | | | | |
| Input Power: | 100-240 VAC +/- 10% 50/60 Hz 50 watts | | | | | | | | | | | | |
| Power to Sensors: | 12 VDC @ 125 mA max | | | | | | | | | | | | |
| Power to Probe: | 28 VDC | | | | | | | | | | | | |
| Audio-visual Controls: | Display: 4-line by 40-character backlit LCD Audible alarm: 85 dB piezoelectric horn Printer: 36-character thermal Key pad: 20-key oil-resistant tactile System status: 3 LEDs (OK, fault, alarm) | | | | | | | | | | | | |
| Relay Outputs (optional): | 120 VAC @ 5 amp resistive SPDT, 24 maximum | | | | | | | | | | | | |
| Low-voltage Outputs (optional): | 12 VDC | | | | | | | | | | | | |
| Fax/Modem (optional): | 14,400 baud | | | | | | | | | | | | |
| Operating Temperature: | 20 to 140° F | | | | | | | | | | | | |
| Compatible Sensors: | BX-series sensors | | | | | | | | | | | | |
| Bx-Series Sensor Cable: | Shielded 22 AWG with drain wire (OMNTEC EC-4) Maximum length 2,000 feet | | | | | | | | | | | | |
| Compatible Probes: | MTG-4* MTG-6* MTG-8* MTG-10* MTG-F-* Series (Flex) | | | | | | | | | | | | |
| * Number signifies shaft length and corresponds to tank diameter. Contact representative for additional lengths. Consult factory for special applications (floats, wells, vapors, etc.). | | | | | | | | | | | | | |
| MTG Probe Cable: | OMNTEC EC-2 (Shielded Belden #8761) Low inductance: equal to or less than .2 microhenries per foot Maximum length 1,000 feet Consult representative for longer wire runs. | | | | | | | | | | | | |
| Accessories: | <table border="0"> <tr> <td>RAS Series</td> <td>Remote annunciators</td> </tr> <tr> <td>IB-RAS</td> <td>Remote annunciator interface board</td> </tr> <tr> <td>PS-102</td> <td>Thermal printer</td> </tr> <tr> <td>MDR-2</td> <td>14,400-baud fax/modem</td> </tr> <tr> <td>IB-RB-2</td> <td>Relay card (4 SPDT relays per card)</td> </tr> <tr> <td>IB-12V</td> <td>Low-voltage interface board</td> </tr> </table> | RAS Series | Remote annunciators | IB-RAS | Remote annunciator interface board | PS-102 | Thermal printer | MDR-2 | 14,400-baud fax/modem | IB-RB-2 | Relay card (4 SPDT relays per card) | IB-12V | Low-voltage interface board |
| RAS Series | Remote annunciators | | | | | | | | | | | | |
| IB-RAS | Remote annunciator interface board | | | | | | | | | | | | |
| PS-102 | Thermal printer | | | | | | | | | | | | |
| MDR-2 | 14,400-baud fax/modem | | | | | | | | | | | | |
| IB-RB-2 | Relay card (4 SPDT relays per card) | | | | | | | | | | | | |
| IB-12V | Low-voltage interface board | | | | | | | | | | | | |
| Weight: | 20 lb. | | | | | | | | | | | | |
| Approvals: | UL-listed, CUL-listed, CE-listed | | | | | | | | | | | | |

Note: Current published specifications are subject to change without notification. Verify specifications with manufacturer.

For technical information:



OMNTEC Mfg., Inc.
 1993 Pond Road
 Ronkonkoma, New York 11779
 Phone: 631-981-2001
 Fax: 631-981-2007
 Email: omntec@omntec.com
 Web Site: www.omntec.com