

# Appendix: Elevation and Foundation Diagrams

Figure A-1: Encore 300/500 Elevation Diagram

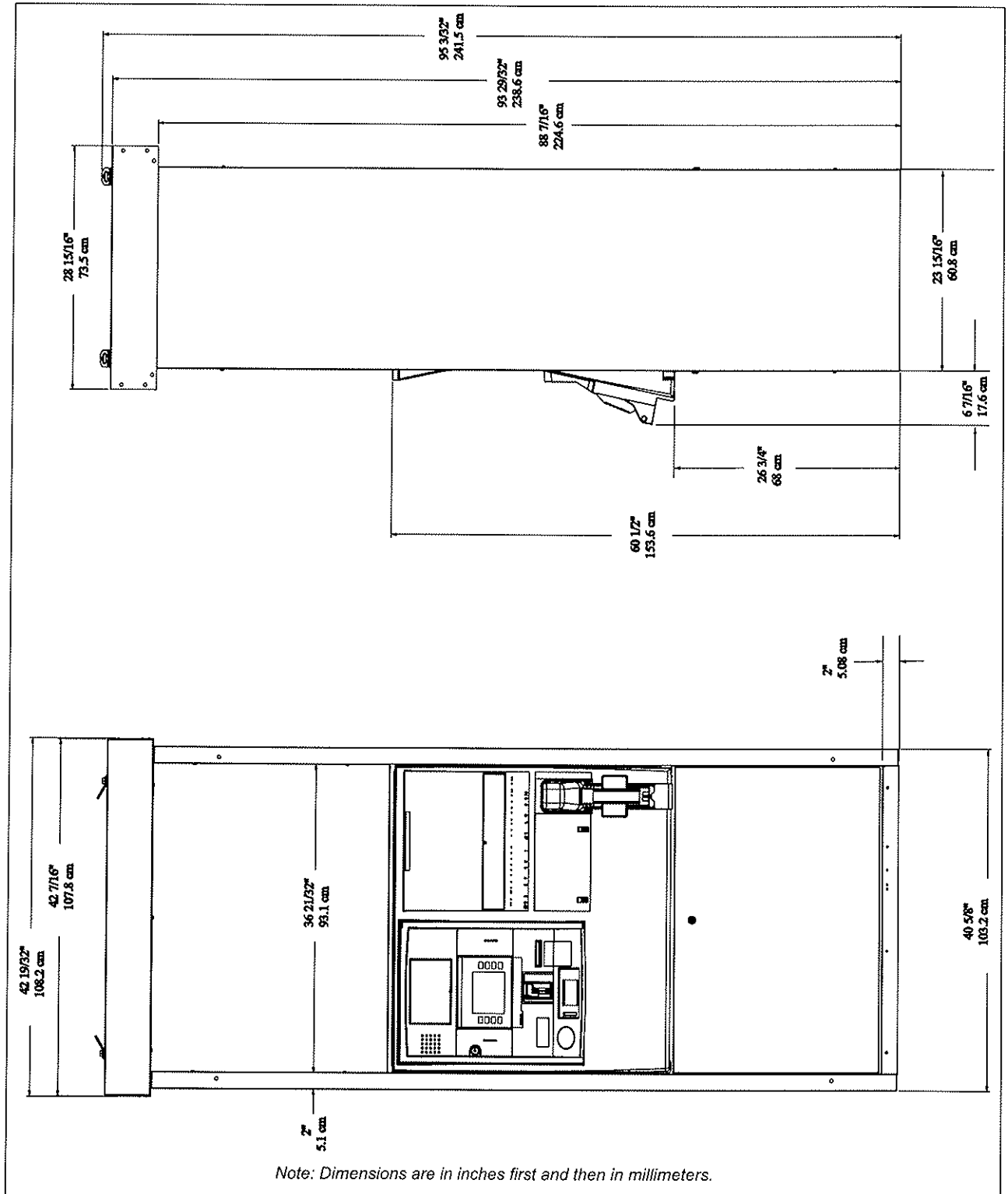
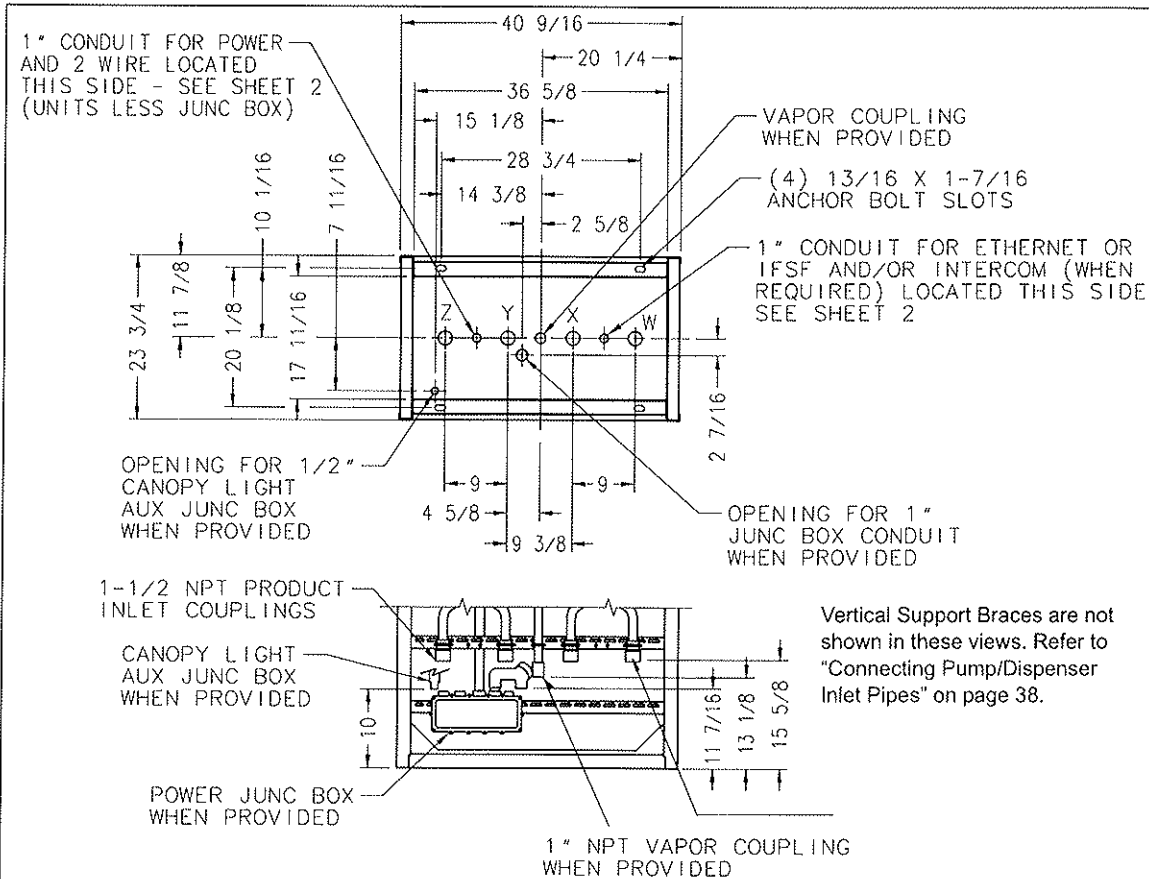


Figure A-2: Encore Foundation Diagrams: 1 of 7 (Encore 300/500 Dispensers)



SIDE 1 OF UNIT  
PRIMARY ELECTRICAL SERVICE SIDE

INLETS	MODEL#	DISPENSER MODELS
W	NA0	1 GRADE 2 HOSE
W & X	NA1 NNO-3 NJ0 NG4	2 GRADE 4 HOSE X+0 SELECTABLE BLENDER 3 GR MULTI HOSE BLENDER 2 GRADE SINGLE HOSE
W, X & Y	NA2 NG0 NLO-3 NJ2	3 GRADE 6 HOSE 3 GRADE SINGLE HOSE X+1 SELECTABLE BLENDER 3+1 MULTI HOSE BLENDER
W, X, Y & Z	NA3 NG1	4 GRADE 8 HOSE 3+1 SINGLE HOSE

NOTES:

1. MAXIMUM FIELD RETROFIT RAIN LIP SIZE WITHOUT REQUIRING ADAPTER PLATE: 17-1/2 X 39-1/2 X 2"

2. FOR X + 1 SELECTABLE BLENDER AND 3 + 1 MULTI HOSE BLENDER, INLET "Y" IS THE PLUS GRADE.

3. FOR 3 + 1 SINGLE HOSE, INLET "Z" IS THE PLUS GRADE.

Note: Dimensions are in inches.

Figure A-3: Encore Foundation Diagrams: 2 of 7 (Encore 300/500 Series Dispensers)

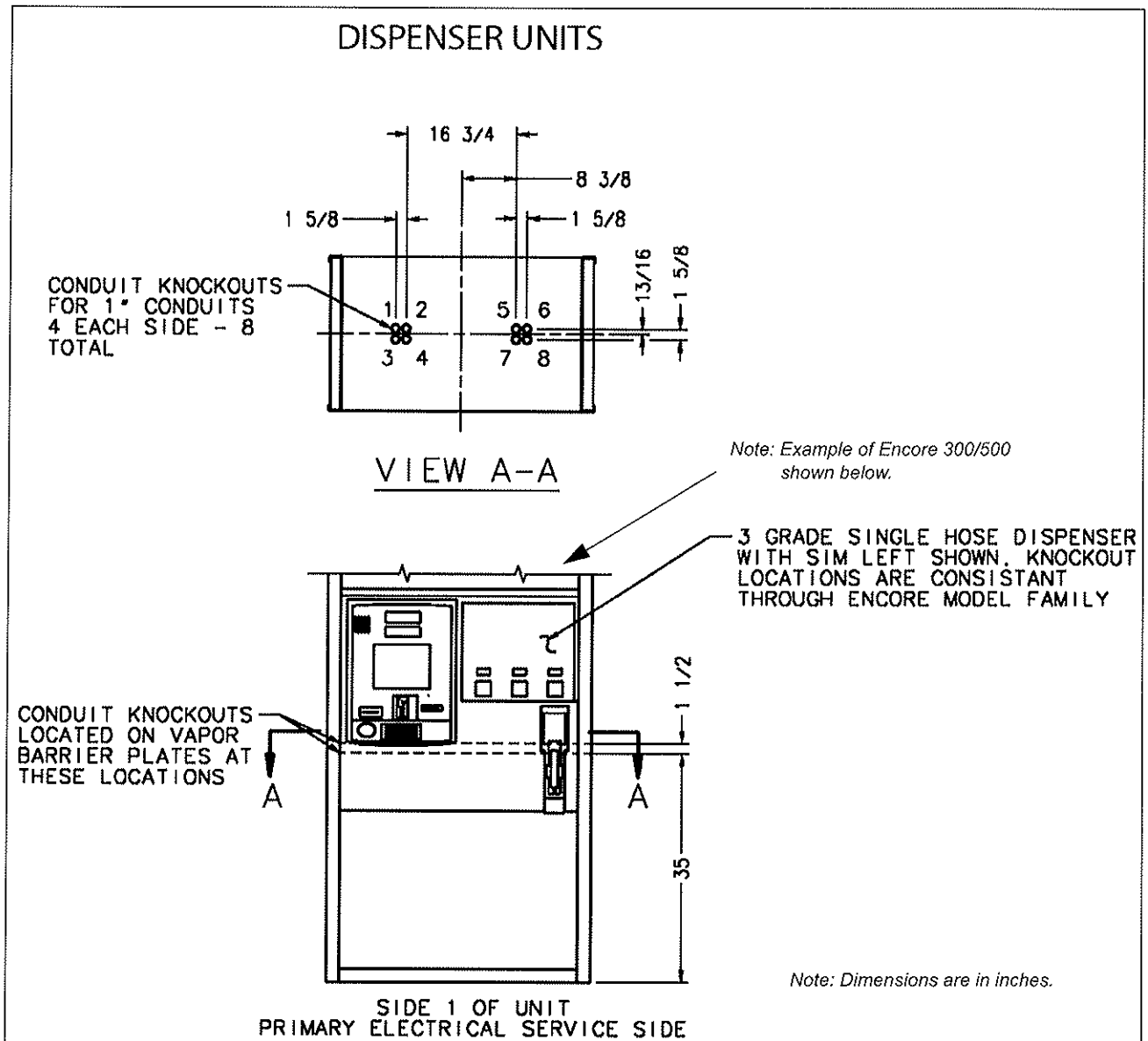
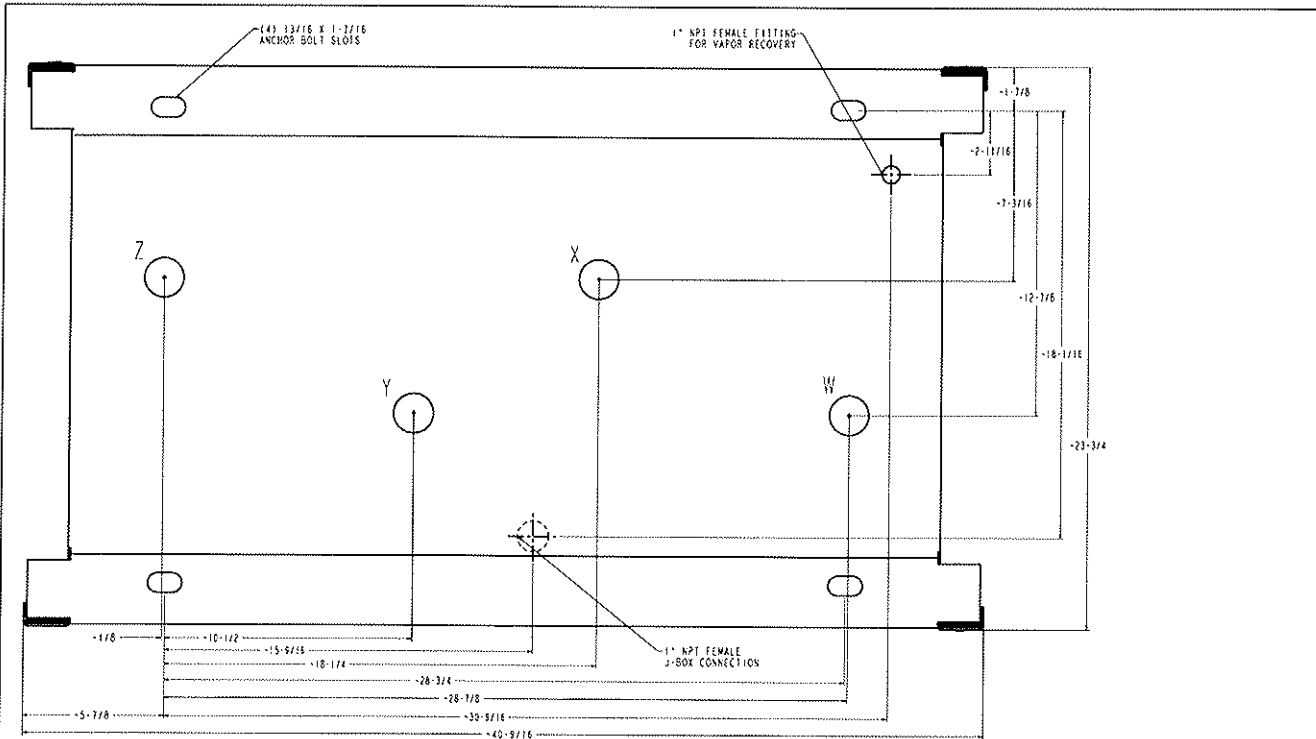
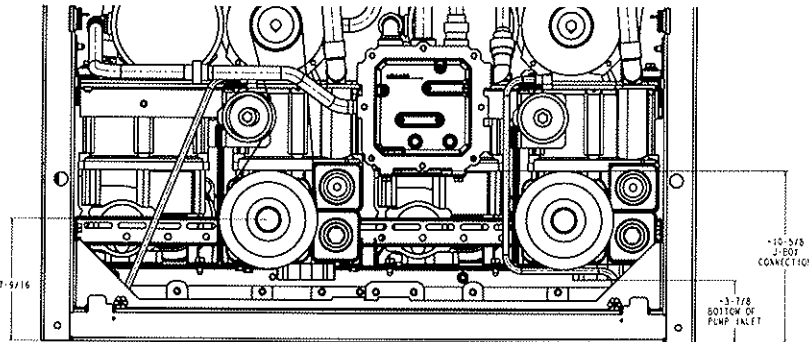


Figure A-4: Encore Foundation Diagrams: 3 of 7 (Encore 300/500 Pumps)



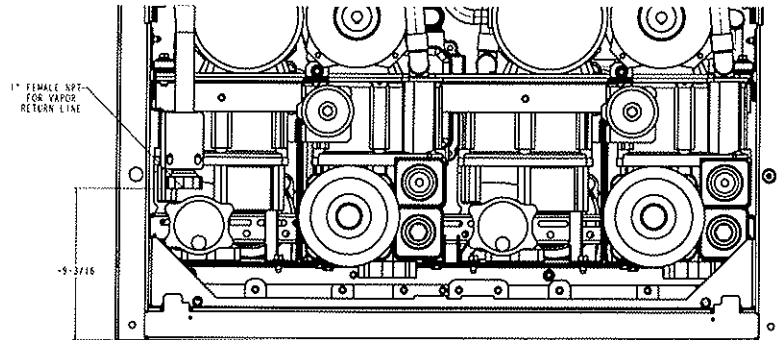
Inlets	Pumping Models
W	1-grade 2-hose
W and X	2-grade 4-hose X+0 Selectable Blender 3-grade Multi-hose Blender
W, X and Y	3-grade 6-hose 3-grade Single-hose X+1 Selectable Blender 3+1 Multi-hose Blender
W, X, Y and Z	4-grade 8 Hose 3+1 Single-hose



Side 1  
Primary Electrical Service Side

Notes:

1. Maximum field retrofit rain lip size without requiring adapter plate: 17-1/2 x 39-1/2 x 2"
2. For X+1 Selectable Blender and 3+1 Multi-hose Blender, Inlet "Y" is the Plus Grade.
3. For 3+1 Single Hose, Inlet "Z" is the Plus Grade.
4. Lift is determined by combining vertical distance from unit base to center line of pump shaft and unit base to tank bottom.



Side 2

Vertical support braces are not shown in these views.

Note: Dimensions are in inches.

Figure A-5: Encore Foundation Diagrams: 4 of 7 (Encore Ultra-Hi NP3 and NP6)

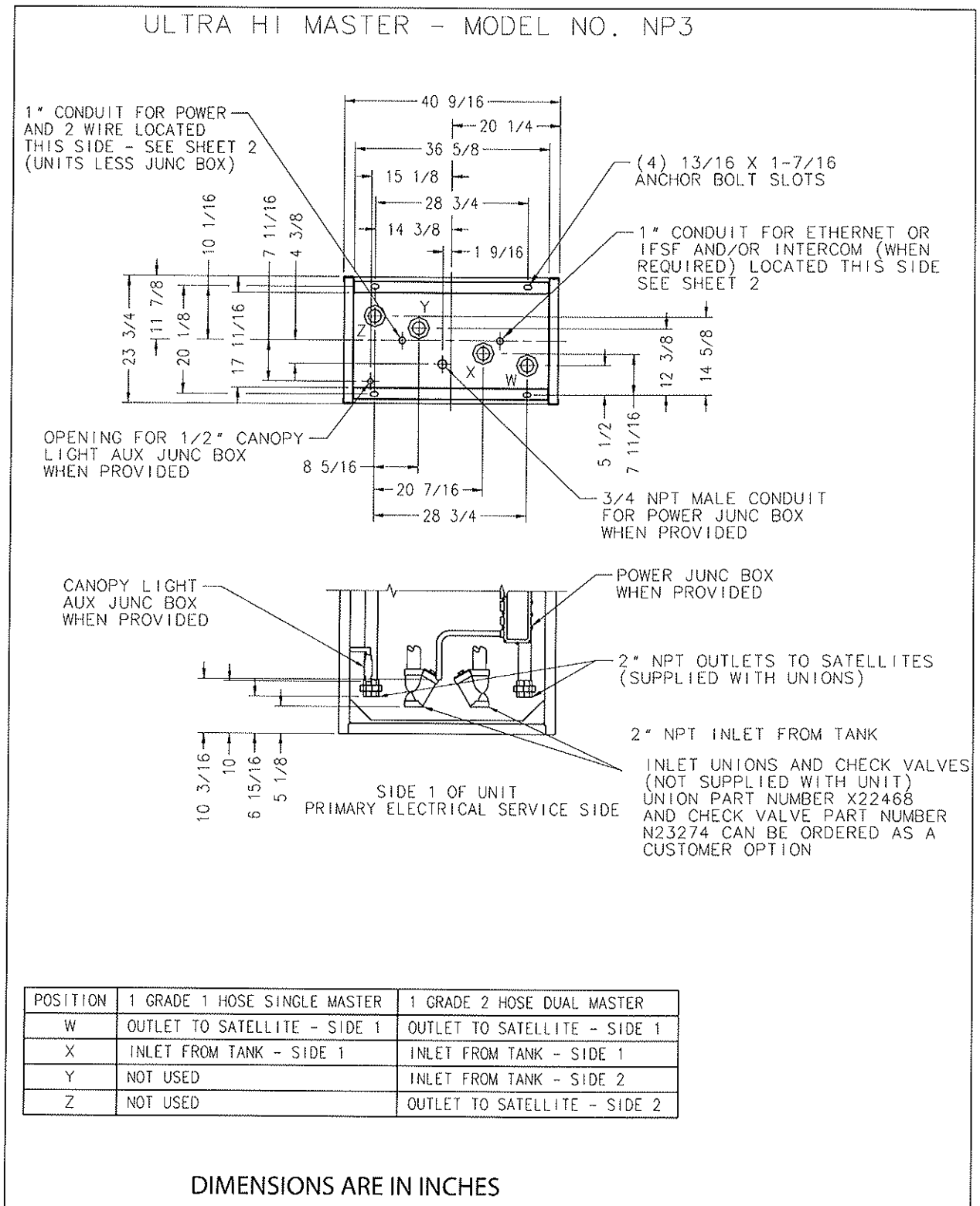


Figure A-6: Encore Foundation Diagrams: 5 of 7 (Encore Ultra-Hi NP4)

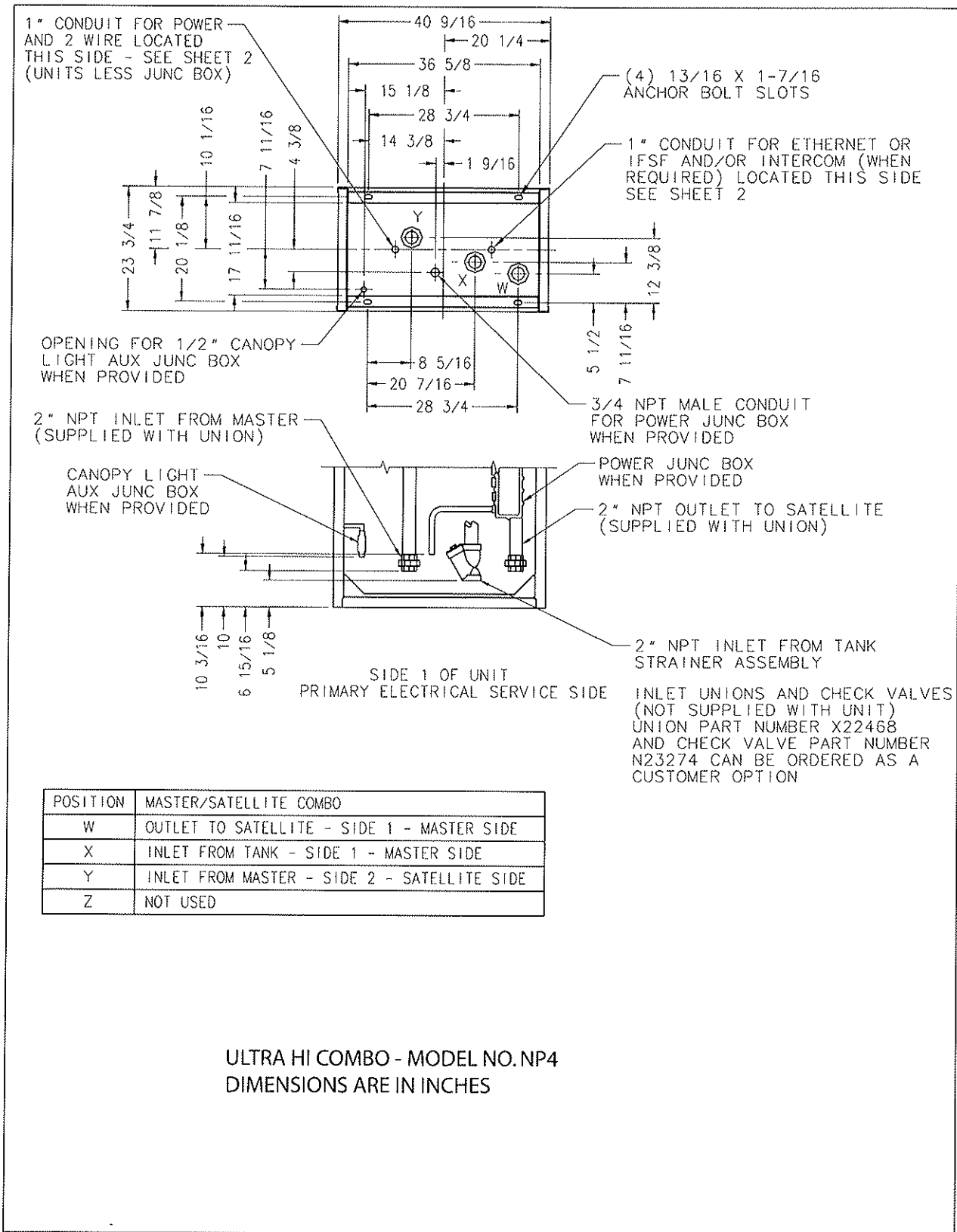


Figure A-7: Encore Foundation Diagrams: 5 of 7 (Encore Ultra-Hi NP4 - Alternate)

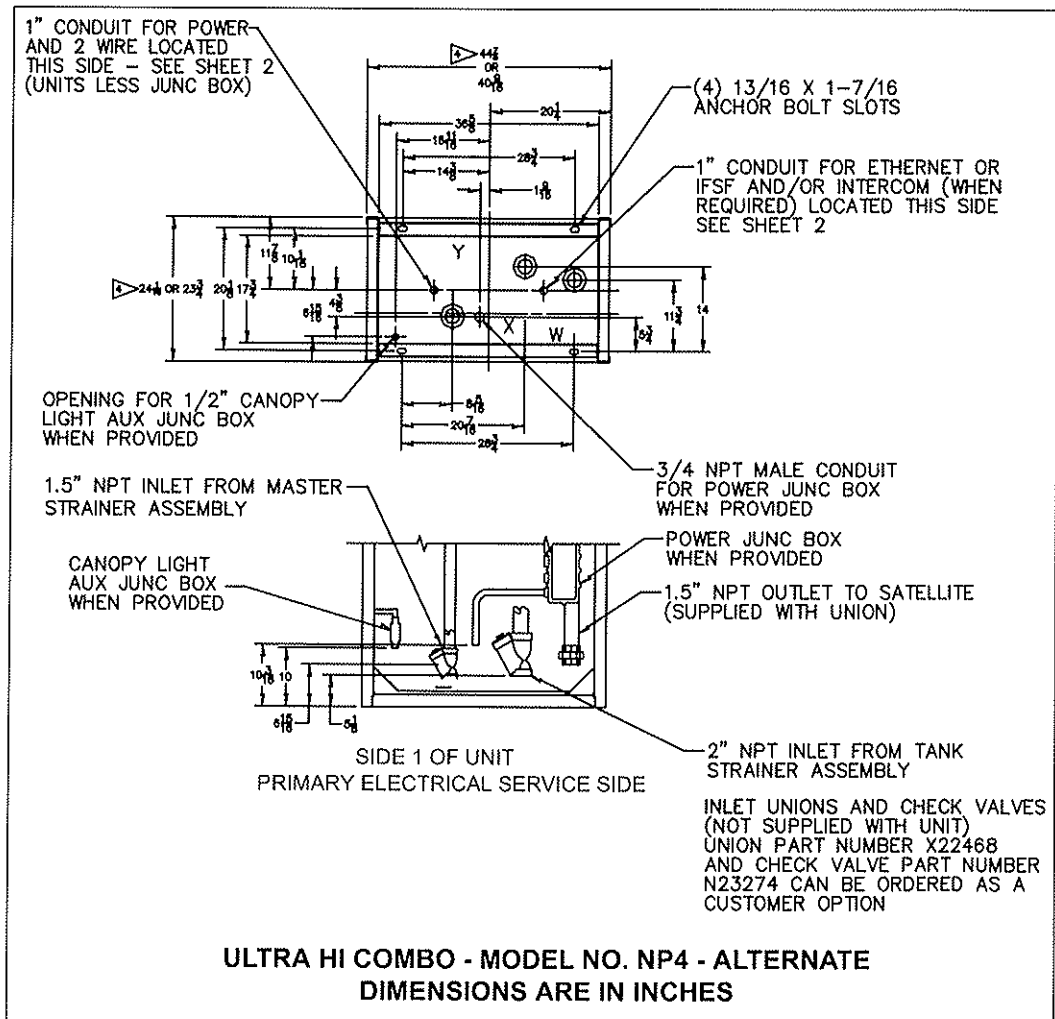


Figure A-8: Encore Foundation Diagrams: 6 of 7 (Encore Ultra-Hi NP5 and NP8)

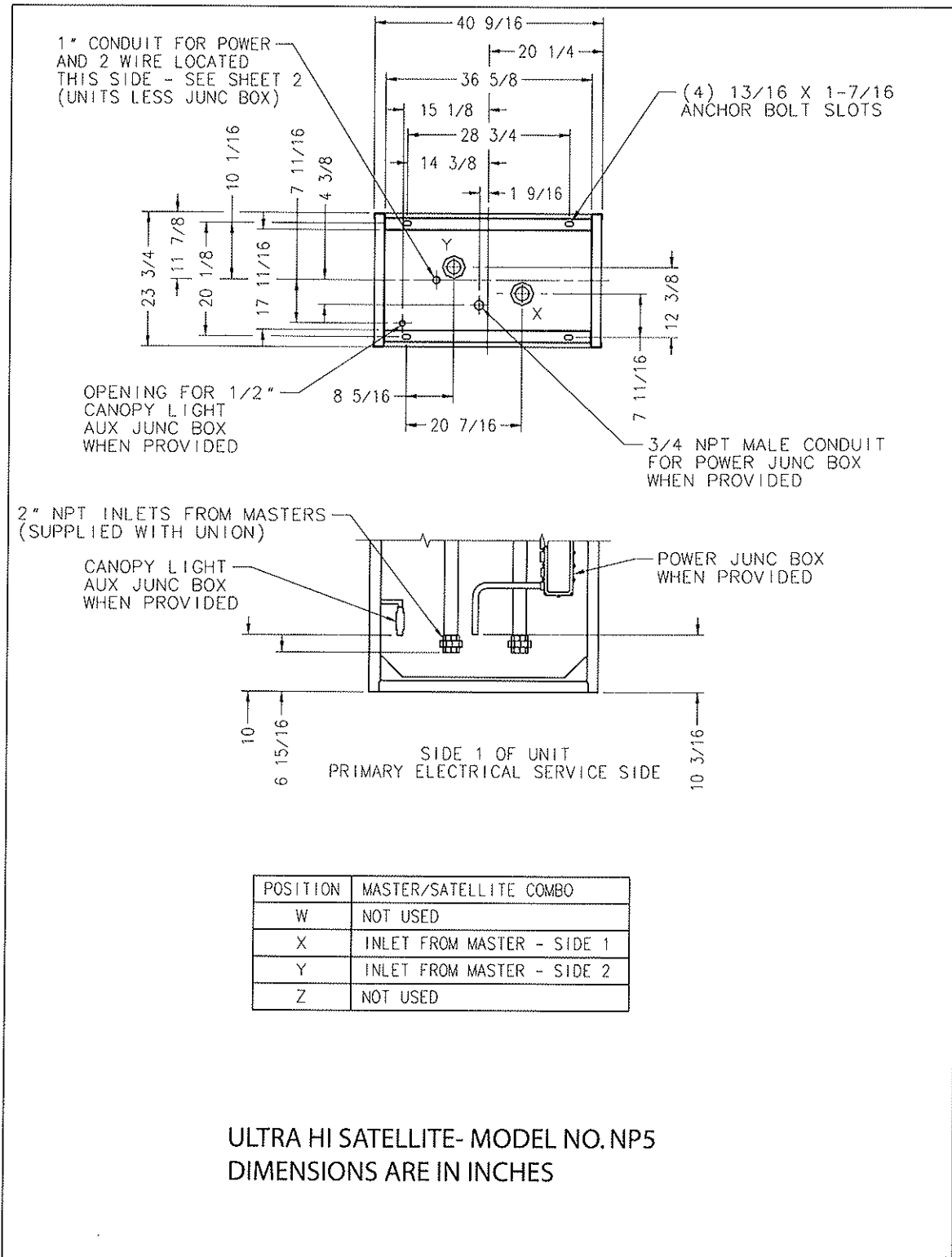


Figure A-9: Encore Foundation Diagrams: 7 of 7 (Encore 550/500, 500 S Dispensers)

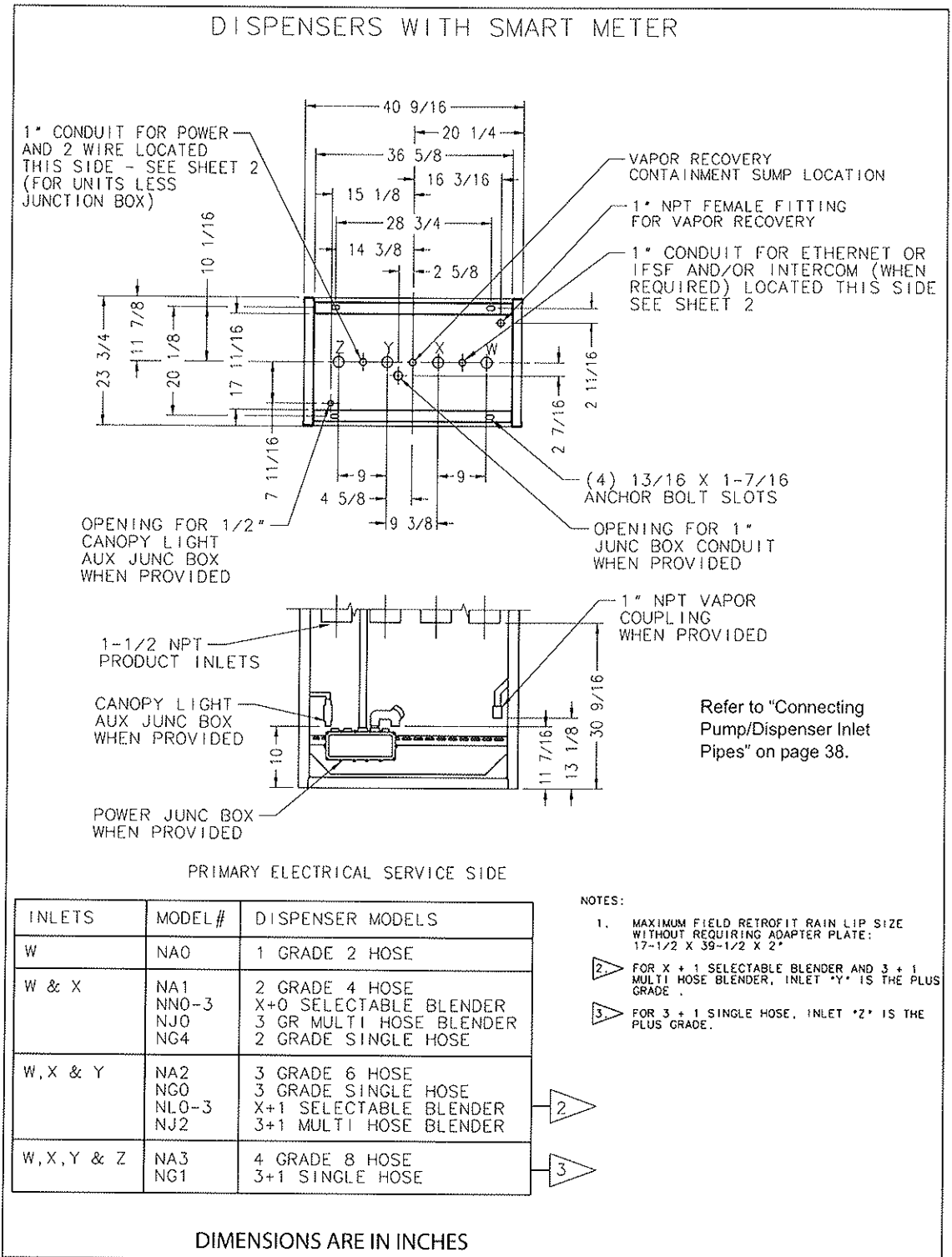


Figure A-10: Main Cabinet Conduit Knockouts

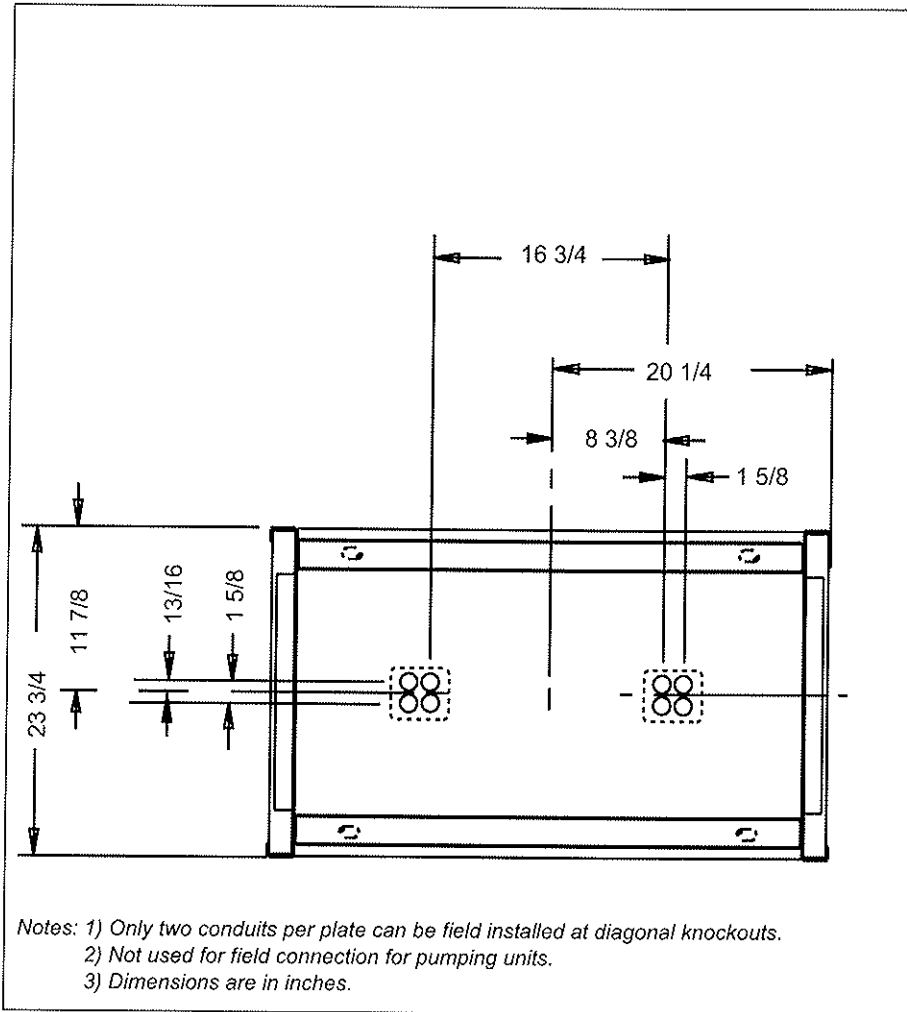


Figure A-11: Encore Elevation Diagram (Encore 550 with SMART Meter)

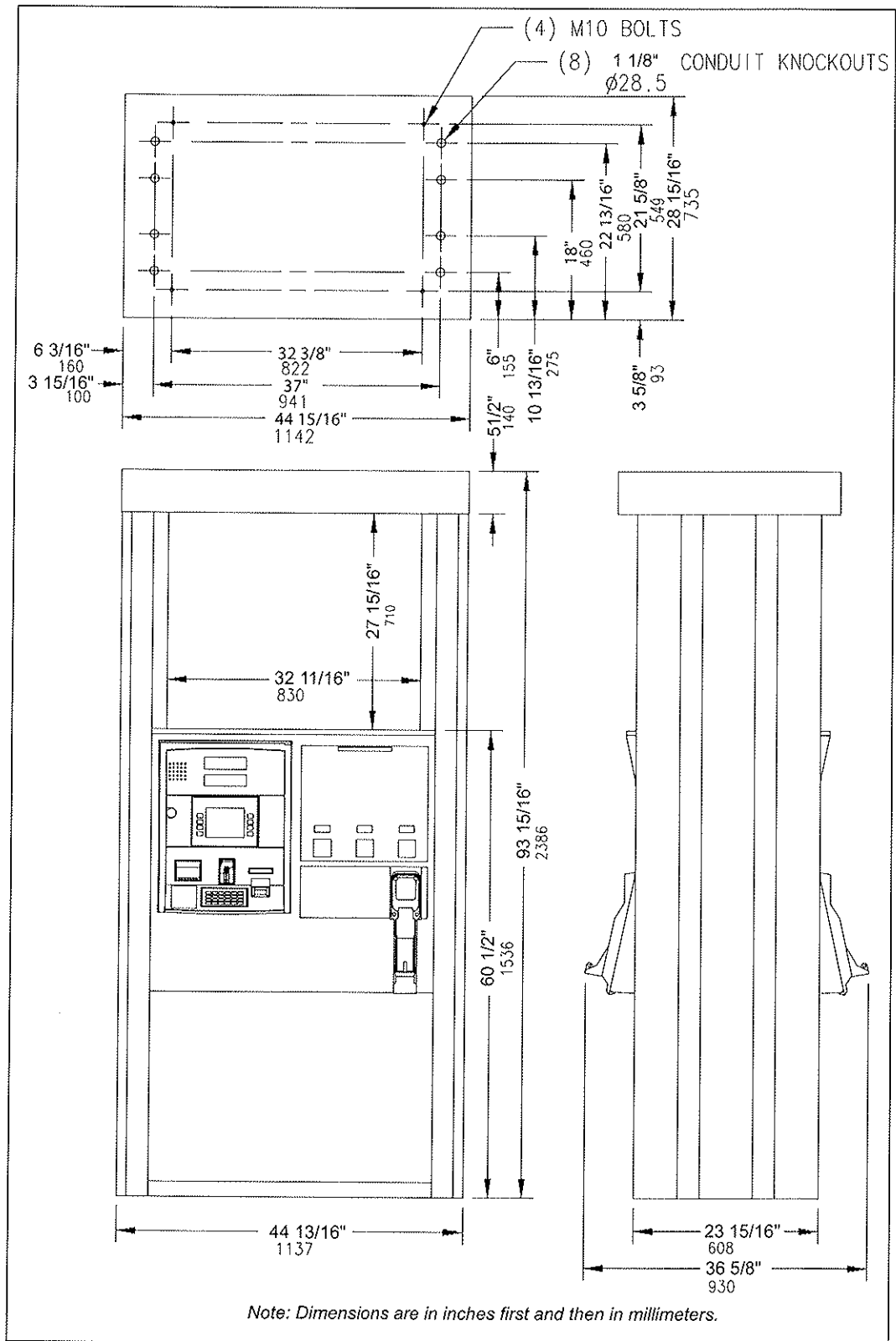


Figure A-12: Encore Elevation Diagram (Encore 500 S with SMART Meter)

