

# ENCORE® FOCUS - DOUBLE OR SINGLE DECK APPLICATIONS

**HOUSING** - Die-cast, one-piece aluminum ensures durable, weather-tight construction. Two threaded conduit openings allow through wiring.

**DOOR FRAME/DOOR FASTENER** - Features an integral hinged, die-cast aluminum door with a powder coat finish. Door frame closes and locks with stainless steel spring catch.

**INSTALLATION** - One-person installation. No additional sealant required.

**OPTICAL ASSEMBLY** - The optical assembly directs light specifically to the area you wish to light. To allow for proper aiming, the FO optic can be adjusted vertically to concentrate the light beam center at 24°, 30° or 36° from nadir. The ADJ optic can be externally adjusted to concentrate the light beam center from 20° to 40° from nadir. Both optics are adjustable horizontally 350°.

**LIGHT SOURCES** - Ceramic Metal Halide PAR lamp.

**BALLASTS** - High-power factor type HX-HPF ballast is designed for -20 degree F operation. Electrical components are serviceable from below.

**FINISH** - Standard colors are white or bronze powder coat finish. Each fixture is finished with LSI's DuraGrip® polyester powder coat finishing process. The DuraGrip finish withstands extreme weather changes without cracking or peeling, and is guaranteed for five full years.

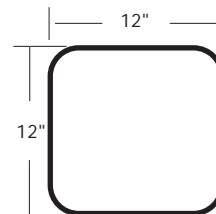
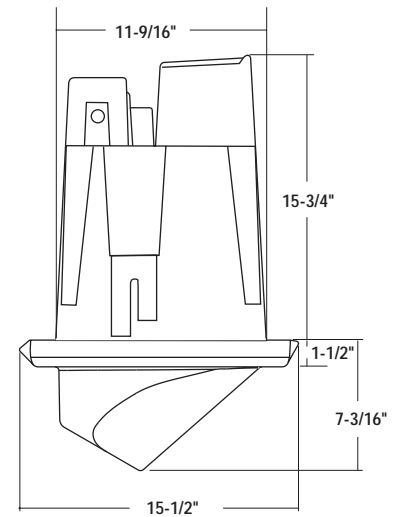
**WARRANTY** - The Encore carries a comprehensive 5-year warranty on all parts, finish, workmanship and electrical components (excluding lamp).

**PHOTOMETRICS** - For detailed photometric data, contact LSI Petroleum Lighting Sales.



Protected by the following patents:  
 D482,480 5,662,407 6,059,422 6,224,233  
 Patented 199,294 CA2276077 CA2381049  
 and Pat. Pend.

## DIMENSIONS



**NOTE:** Encore cannot be mounted in a single skin canopy with 12" deck pans.

Deck requires 12" opening with 2" radius corners.



## SHIPPING WEIGHT - Encore Focus

Est. Weight (lbs.)      42

# ENCORE® FOCUS - DOUBLE OR SINGLE DECK APPLICATIONS

## LUMINAIRE ORDERING INFORMATION

Luminaire Prefix	Distribution	Lamp Wattage	Light Source	Lens	Line Voltage	Luminaire Finish
EC	SP Spot	100	P38MH - PAR 38 Ceramic Metal Halide 100 Watt	FO - Focus ADJ - Externally Adjustable Optics	MT - Multi-Tap <sup>1</sup> TT - Tri -Tap <sup>2</sup> 220v - 50Hz	WHT - White BRZ - Bronze

Options
IL - Internal Louver

EXAMPLE OF A TYPICAL ORDER **EC SP 100 P38MH FO MT WHT**

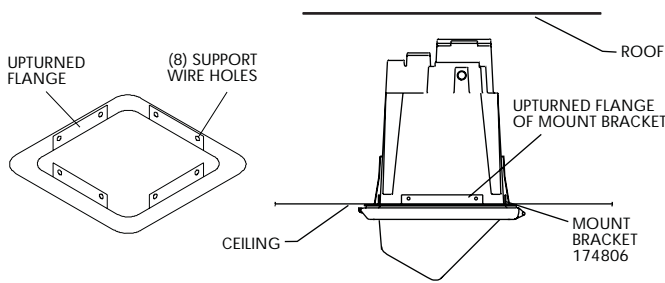
### FOOTNOTES:

- 1- MT – Multi Tap is shipped standard unless otherwise specified. Multi Tap consists of 120V, 208V, 240V, and 277V. Multi Tap is pre-wired for 277V. Alternate voltages will require field re-wiring.
- 2- Tri-Tap is shipped standard for C-UL application. Tri-Tap consists of 120V, 277V, and 347V. Tri-Tap is pre-wired for 347V. Alternate voltages will require field re-wiring.

### ACCESSORY ORDERING INFORMATION (Accessories are field installed)

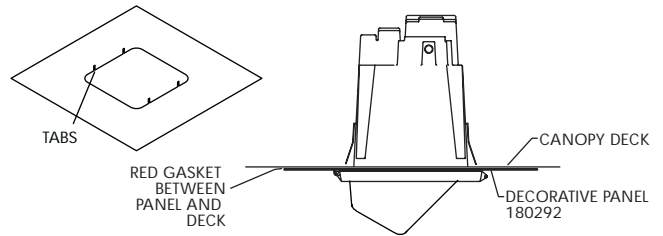
Description	Order Number
TCKEC - Thin Canopy Kit for Encore	176008

### DDM - DOUBLE DECK MOUNTING BRACKET (ORDER NUMBER 174806)



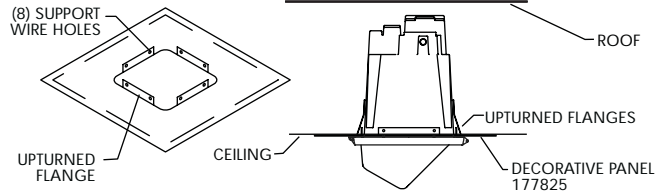
DDM - For use in covered areas (i.e. water proof plenum) where ceiling material will not support the fixture or access is not available from above to utilize standard locking ring.

### SDRP - SINGLE DECK RETROFIT PANEL (ORDER NUMBER 180292)



SDRP - Single deck decorative retrofit panel facilitates conversions from 2x2 surface mounted fixture to Encore.

### DDRMP - DOUBLE DECK RETROFIT MOUNTING PANEL (ORDER NUMBER 177825)



DDRMP - Decorative retrofit panel is for use on double deck canopies only. Panel will structurally support the Encore while covering an opening up to 600mm by 600mm. For use in covered areas only (i.e. water proof plenum).

### LIGHT DISTRIBUTION

