

ENCORE® - FLAT LENS - DOUBLE OR SINGLE DECK APPLICATIONS

HOUSING - Die-cast, one-piece aluminum ensures durable, weather-tight construction. Two threaded conduit openings allow through wiring.

LENS/GASKET - Choose either a flat clear tempered glass lens or a C73 diffused flat tempered glass lens. A continuous one-piece extruded high temperature gasket ensures maximum sealing to the housing.

LENS FRAME/DOOR FASTENER - Features an integral hinged, die-cast aluminum lens frame. Door frame closes and locks with stainless steel spring catch, allowing easy access for ground re-lamping.

INSTALLATION - One-person installation. No additional sealant required.

REFLECTORS/DISTRIBUTION PATTERNS - The vertical burn optical system and symmetrical reflector provide uniform general lighting under the canopy.

LIGHT SOURCES - Pulse-Start Metal Halide or Metal Halide Reduced Envelope.

BALLASTS - High-power factor type ballasts. Pulse-Start Metal Halide features Super CWA ballasts and Metal Halide features CWA ballasts. Ballasts are designed for -20 degree F operation. **Electrical components are serviceable from below.**

FINISH - Standard colors are white or bronze powder coat finish. Each fixture is finished with LSI's DuraGrip® polyester powder coat finishing process. The DuraGrip finish withstands extreme weather changes without cracking or peeling, and is guaranteed for five full years.

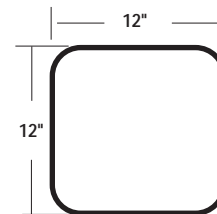
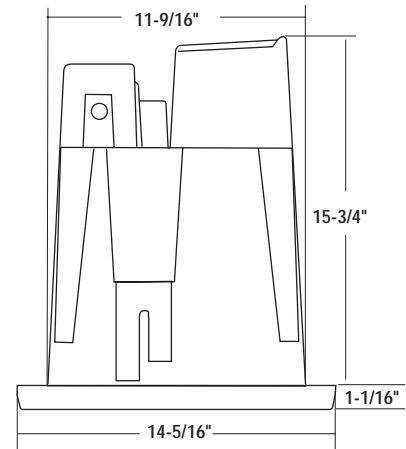
WARRANTY - The Encore carries a comprehensive 5-year warranty on all parts, finish, workmanship and electrical components (excluding lamp).

PHOTOMETRICS - For detailed photometric data, contact LSI Petroleum Lighting Sales.



Protected by the following patents: 5,662,407
6,059,422 6,152,579 6,224,233 6,464,378
Patentado 199,294 CA2276077 CA2381049
and Pat. Pend.

DIMENSIONS



NOTE: Encore cannot be mounted in a single skin canopy with 12" deck pans.

Deck requires 12" opening with 2" radius corners.



SHIPPING WEIGHT - Encore Flat Lens

Est. Weight (lbs.) 38

ENCORE® - FLAT LENS - DOUBLE OR SINGLE DECK APPLICATIONS

LUMINAIRE ORDERING INFORMATION

Luminaire Prefix	Distribution	Lamp Wattage	Light Source	Lens	Line Voltage	Luminaire Finish
EC	S - Symmetrical	175 200 250 320 400	PSMV - Pulse-Start Metal Halide 175, 200, 250, 320 Watt MHR - Metal Halide Reduce 400 Watt	F - Clear Flat Tempered Glass C73 - Diffused Flat Tempered Glass	MT - Multi-Tap ¹ TT - Tri-Tap ² 220V - 50Hz	WHT - White BRZ - Bronze

EXAMPLE OF A TYPICAL ORDER: **EC S 250 PSMV F MT WHT**

Options

TH - Thermally Protected³
CE - European Compliant⁴

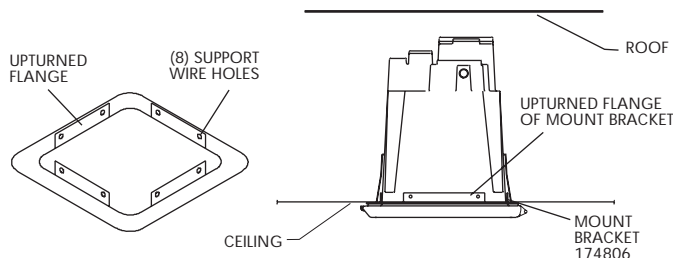
FOOTNOTES:

- 1- MT – Multi Tap is shipped standard unless otherwise specified. Multi Tap consists of 120V, 208V, 240V, and 277V. Multi Tap is pre-wired for 277V. Alternate voltages will require field re-wiring.
- 2- Tri-Tap is shipped standard for Canadian applications. Tri-Tap consists of 120V, 277V, and 347V. Tri-Tap is pre-wired for 347V. Alternate voltages will require field re-wiring.
- 3- Order when fixtures are to be used in enclosed ceilings. Voltage must be specified 120V, 208V, 240V, 277V, 347V or 220V 50Hz.
- 4- Consult Factory.

ACCESSORY ORDERING INFORMATION (Accessories are field installed)

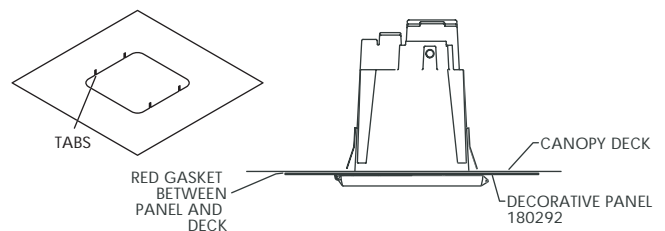
Description	Order Number
ECKEC - Thin Canopy Kit for Encore	176008
Ground Lamp Changers:	
250, 320, 400 (Reduced) Watt	132678A
200 Watt	179101Z

DDM - DOUBLE DECK MOUNTING BRACKET (ORDER NUMBER 174806)



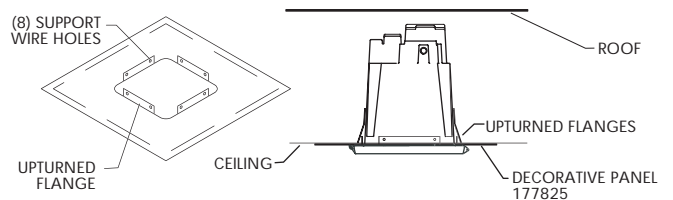
DDM - For use in covered areas (i.e. water proof plenum) where ceiling material will not support the fixture or access is not available from above to utilize standard locking ring.

SDRP - SINGLE DECK RETROFIT PANEL (ORDER NUMBER 180292)



SDRP - Single deck decorative retrofit panel facilitates conversions from 2x2 surface mounted fixture to Encore.

DDRMP - DOUBLE DECK RETROFIT MOUNTING PANEL (ORDER NUMBER 177825)



DDRMP - Decorative retrofit panel is for use on double deck canopies only. Panel will structurally support the Encore while covering an opening up to 600mm by 600mm. For use in covered areas only (i.e. water proof plenum).