

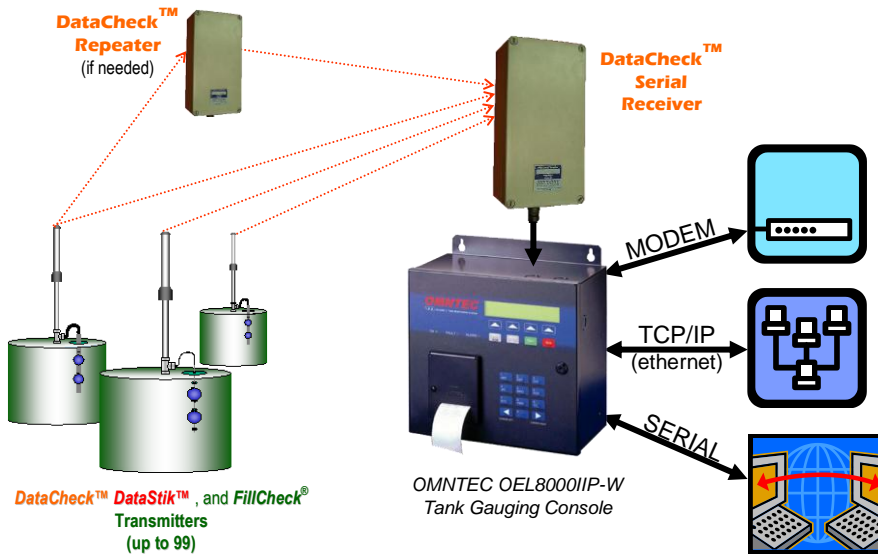


DataCheck System with OEL8000IIP-W Automatic Tank Monitoring Controller

Part Number:

OEL8000IIP-W

(NOTE: used ONLY with the DataCheck™ wireless tank monitoring system)



Description

The OEL8000IIP-W is a comprehensive tank overfill protection and inventory management Controller that can simultaneously monitor *FillCheck*® level alarm sensors and *DataStik*™ inventory monitoring probes (product levels, water levels, and temperatures). It supports up to 99 wireless transmitters of any *DataCheck*™ type.

The OEL8000IIP-W also accepts up to 44 of OMNTEC's Bright Eye (BX-Series) leak detection sensors for distinguishing product from water or for simply detecting the presence of liquid. A distinct advantage of Bright Eye sensors is that they are networked and utilize 4-wire RS-485 multidrop buss technology. Other types of sensors (such as temperature and pressure) can also be connected to the buss using the patented BX Universal Translator. A built-in microprocessor gives each sensor the ability to identify itself and its location.

This Controller readily integrates with the *DataCheck*™ Serial Receiver to provide wireless support of up to 99 *DataStik*™ tank inventory management probes. These intrinsically safe, battery powered magnetostrictive systems provide highly accurate product level, interface (water) level, and up to 5 temperature measurements distributed vertically within the vessel.

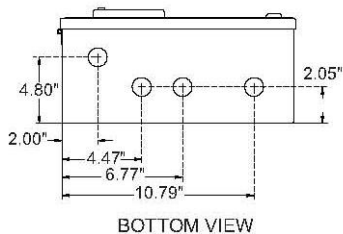
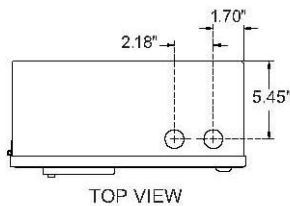
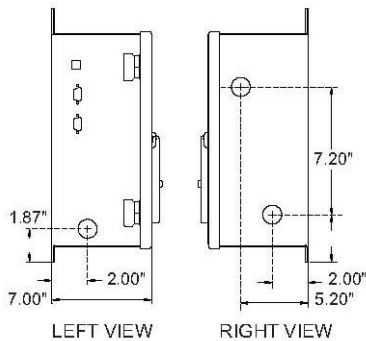
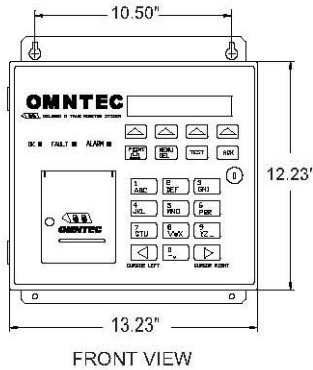
Multiple level alarms can be specified and annunciated for each tank being monitored. All information is displayed along with alarm conditions on the OEL8000IIP's 4-line by 40-character backlit LCD display. A thermal printer is also provided which can be programmed to record alarms, tank conditions, test status, and other system-critical parameters for permanent record-keeping.

With OMNTEC's proven reliability, the OEL8000IIP-W offers a comprehensive and user-friendly system.

Features

- Used with *DataCheck*™ Serial Receiver to support wireless tank overfill protection and inventory management
- Supports up to 99 *FillCheck*®, *DataCheck*™, and *DataStik*™ wireless transmitters and *DataCheck*™ Repeaters
- Supports up to 44 Bright Eye sensors
- User-configurable level alarm setpoints (Hi-Hi, Hi, Delivery Needed, Lo, Lo-Lo, etc.) and corresponding alarm annunciation
- 4-line by 40 character backlit LCD display
- Multiple user-configurable reports
- Integral thermal printer
- 4 RS-232 + 1 RS-485 serial ports
- Optional FAX/modem board
- Optional Ethernet/TCP-IP board
- Compatible with optional OMNTEC-PC remote monitoring software
- Battery-backed memory

OEL8000IIP-W



SPECIFICATIONS

Required wireless interface	<i>DataCheck™</i> Serial Receiver part no. DC-RX-SR-X
Input power	100-240 VAC, ± 10%, 50W
Weight	20 lb. (9 kg)
Approvals	UL-listed, CUL-listed, CE-listed, CCOE
AUDIO-VISUAL FEATURES	
Display	4 line by 40 character backlit LCD
Printer	36-character thermal
Audible alarm	85 dB piezoelectric horn
Keypad	20-key oil-resistant tactile
Status indicators	3 LEDs (OK, Fault, Alarm)
OEL8000II OPTIONAL ACCESSORIES	
IB-NET	Ethernet TCP/IP interface board Can be configured to automatically send alarms and reports via e-mail
MDR-2	14,400 baud fax/modem module Can be configured to automatically FAX alarms and reports
IB-RAS	Remote annunciator interface board
RAS-series	Various remote annunciator systems
IB-RB-2	Output relay board (4 SPDT relays per board, each rated 120 VAC @ 5A)
IB-12V	Low-voltage interface board
IB-C420	Analog output board (4-20 mA)
BX series sensors	Various electronic and optoelectronic sensors used for leak detection, temperature, pressure, etc. BX Universal Translators available for custom applications. BX series are RS-485 multidrop, and are <i>intrinsically safe</i> when properly wired to OEL8000IIP-W

OMNTEC Manufacturing, Inc.

1993 Pond Road
Ronkonkoma, NY 11779 USA

TEL: (631) 981-2001

FAX: (631) 981-2007

Email: omntec@omntec.com

UPSTREAM: www.innovative-sensor.com

DOWNSTREAM: www.omntec.com

