

## HIGH VOLUME PRESSURE ACTIVATED AUTOMATIC NOZZLE

### Husky VIII Nozzle:

- Automatic shut-off nozzles for Truck Stop and other High Volume applications.
- Pressure shut-off nozzle for unattended self-service and unattended stations.
- Husky VIII nozzle shuts off:
  - when the pump shuts off.
  - when the gas tank is full.
  - when the lever is opened before the pump is turned on.
  - when the leak detector has not completed its test cycle.
- Flow rates up to 75 GPM.
- Nozzle is equipped with unique Flo-Stop device that shuts off nozzle if it falls from fill tank or raises above the horizontal.
- Spout is reinforced with thick aluminum bushing that retains spout spring and keeps spout from rounding-in—the two leading causes of clicking-off and spit-back spillage. Spout replacement is fast and easy.
- Full Grip handguard and Waffle Splash Guard standard on all nozzles.
- Old spout style without bushing available on request.



### SPECIFYING INFORMATION

Model Number	Fuel	Hold-open Clip	Weight Lbs. (kg.)	Thread
177610	Diesel or Gasoline	yes	4.2 (1.91)	NPT
177638	Diesel or Gasoline	yes	4.2 (1.91)	BSP
504010 (w/o bushing)	Diesel or Gasoline	yes	4.0 (1.81)	NPT

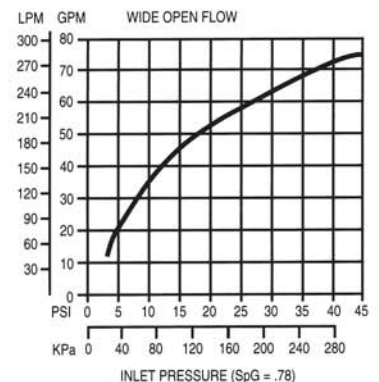
### CONSTRUCTION

Body	Aluminum
Disc	Viton® (Fluorocarbon)
Packing	Double O-Ring seal protected by fiber reinforced Teflon
Lever	One piece contoured steel
Inlet	1" NPT, BSP

### PATENTS AND LISTINGS

Patent Nos.	4,596,278	4,809,753	4,658,987
Listings	U.L.	U.L.C.	

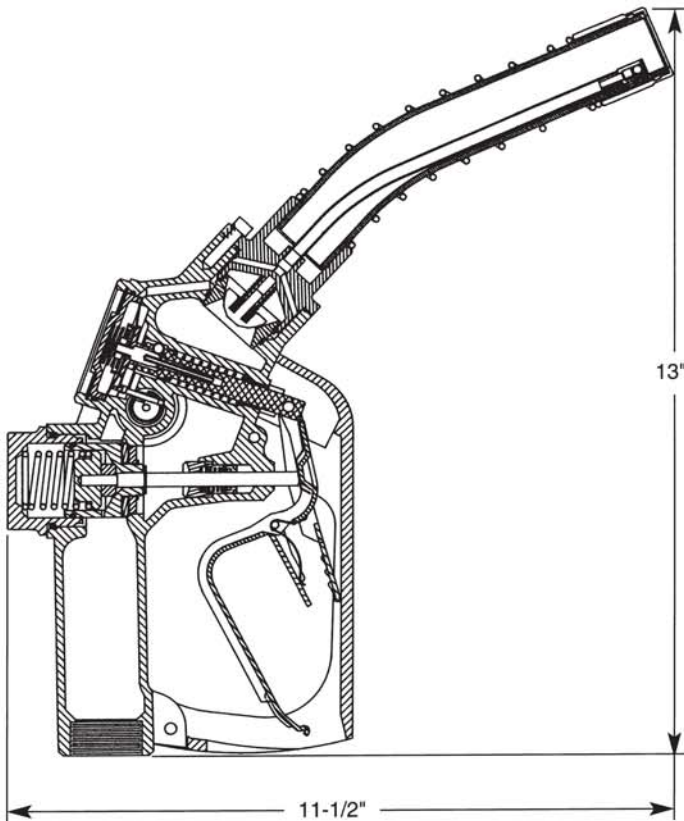
Viton® is a registered trademark of DuPont Dow Elastomers.



# HUSKY VIII

## HIGH VOLUME PRESSURE ACTIVATED AUTOMATIC NOZZLE

- ACCESSORIES
- FEATURES
- DIMENSIONS



SAFE-T-BREAKS®	Model No.	Description
	2276	1"M x 1"F NPT

SWIVELS	Model No.	Description
	4860	1"M x 1"F High Flow
	0087	1"M x 1"F
	0095	1"M x 1"F 70° Pump Swivel

SPOUTS	Model No.	Description
	2279	High Flow With Bushing
	5017	High Flow Without Bushing

GUARDS	Model No.	Description
	4740	Full Grip Guard
	1808	Waffle Gas Guard

